



**BARTELL
GLOBAL**

**PARTS
BOOK**

FORWARD PLATE COMPACTORS

BCF2150



Doc. # PB-B19019
Orig. Rel. - 10/2013
Curr Rev. - 11

www.BartellGlobal.com

CANADA

170 Traders Blvd E
Mississauga, Ontario L4Z 1W7
TEL (647) 953-4100 FAX (647) 953-4101

KENTUCKY

4701 Allmond Ave
Louisville, Kentucky 40209
TEL (425) 405-9100 FAX (425) 405-9101

UK

Honeyholes Lane
Dunholme, Lincoln, UK LN2 3SU
TEL 01673 860709 FAX 01673 861119

NEW JERSEY

200 Commerce Drive, Unit A
Freehold, New Jersey 07728
TEL (848) 225-8100 FAX (848) 225-8101

**ORIGINAL LANGUAGE OPERATING MANUAL FOR
BARTELL RIDE-ON TROWELS**

© 2022 Bartell Global Inc.

No part of this work may be reproduced or transmitted in any form or by any means, electronic or mechanical, including photocopying and recording, or by any information storage or retrieval system without the prior written permission of Bartell Morrison Inc. unless such copying is permitted by federal copyright laws.

ADDRESS INQUIRIES OR REFERENCE PERMISSIONS CARE OF:

Bartell Global, 170 Traders Blvd E., Mississauga, Ontario, Canada, L4Z 1W7

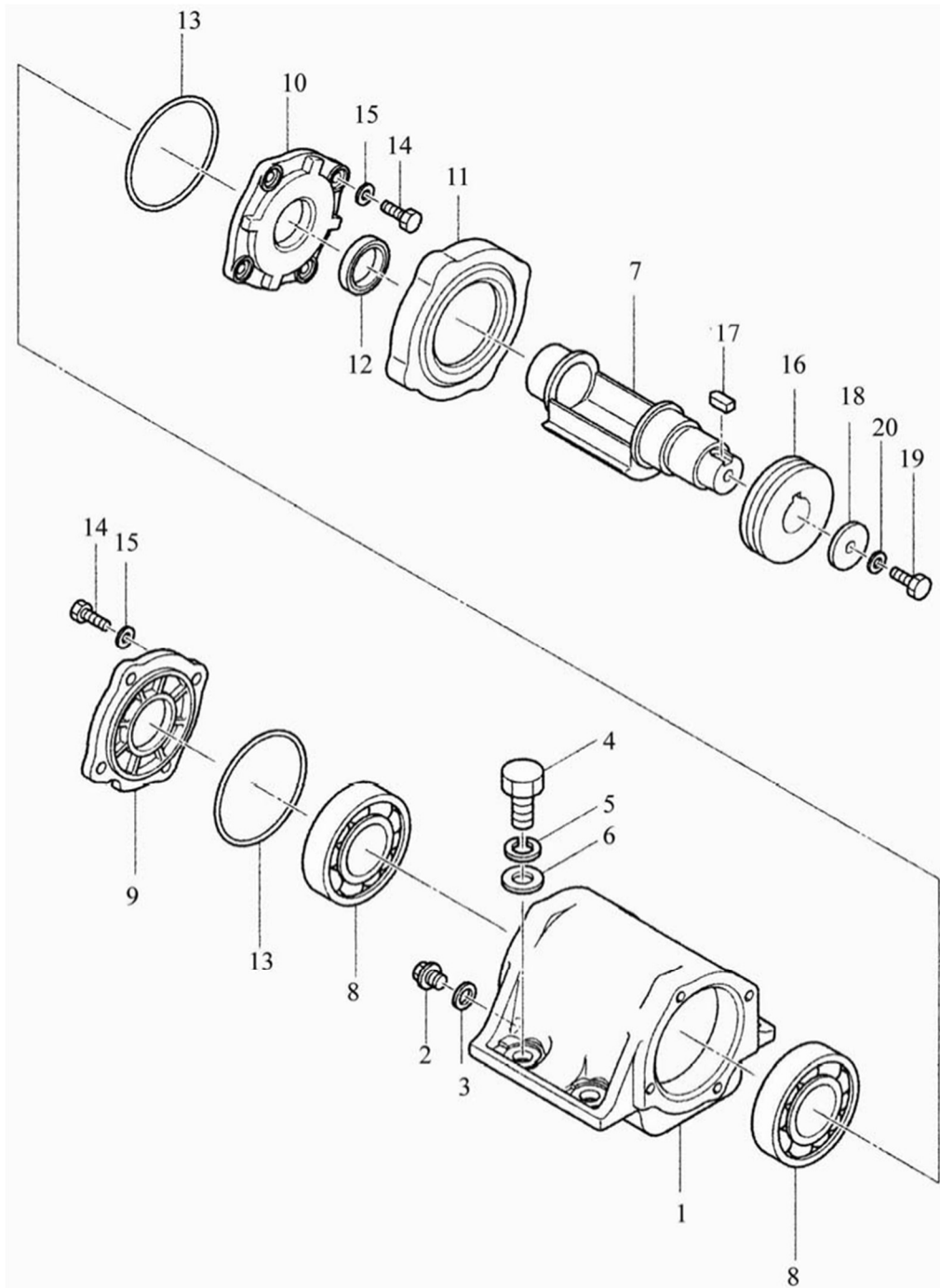
REV.	DATE	DESCRIPTION	APPROVED BY:
00	10/2013	Initial release	AL
01	01/2014	Cover photo updated	AL
02	02/2014	Part number updated	AL
03	06/2014	Address update	AL
04	07/2014	Cover page update	AL
05	07/2017	Part numbers updated, Address update, Format Update	AN
06	10/2017	Parts list 4 updated	AN
07	11/2018	Updated Parts List 2	AN
08	09/2019	Updated address, Updated P/N's	AN
09	08/2020	Updated Body Parts List	AN
10	10/2021	Part Number Update	AN
11	06/2023	Part Number Update	AN

TABLE OF CONTENTS

<u>PARTS LIST 1 – FORWARD PLATE COMPACTORS</u>	<u>3</u>
VIBRATOR: BCF2150	3
VIBRATOR: BCF2150 – PARTS LIST 1	4
<u>PARTS LIST 2 – FORWARD PLATE COMPACTORS</u>	<u>5</u>
BODY: BCF2150	5
BODY: BCF2150 – PARTS LIST 2	6
<u>PARTS LIST 3 – FORWARD PLATE COMPACTORS</u>	<u>9</u>
WATER TANK ASSEMBLY: BCF2150	9
WATER TANK ASSEMBLY: BCF2150 – PARTS LIST 3	10
<u>PARTS LIST 4 – FORWARD PLATE COMPACTORS</u>	<u>11</u>
WHEELS: BCF2150	11
WHEELS: BCF2150 – PARTS LIST 4	12
<u>DECLARATION OF CONFORMITY</u>	<u>14</u>

PARTS LIST 1 – FORWARD PLATE COMPACTORS

VIBRATOR: BCF2150

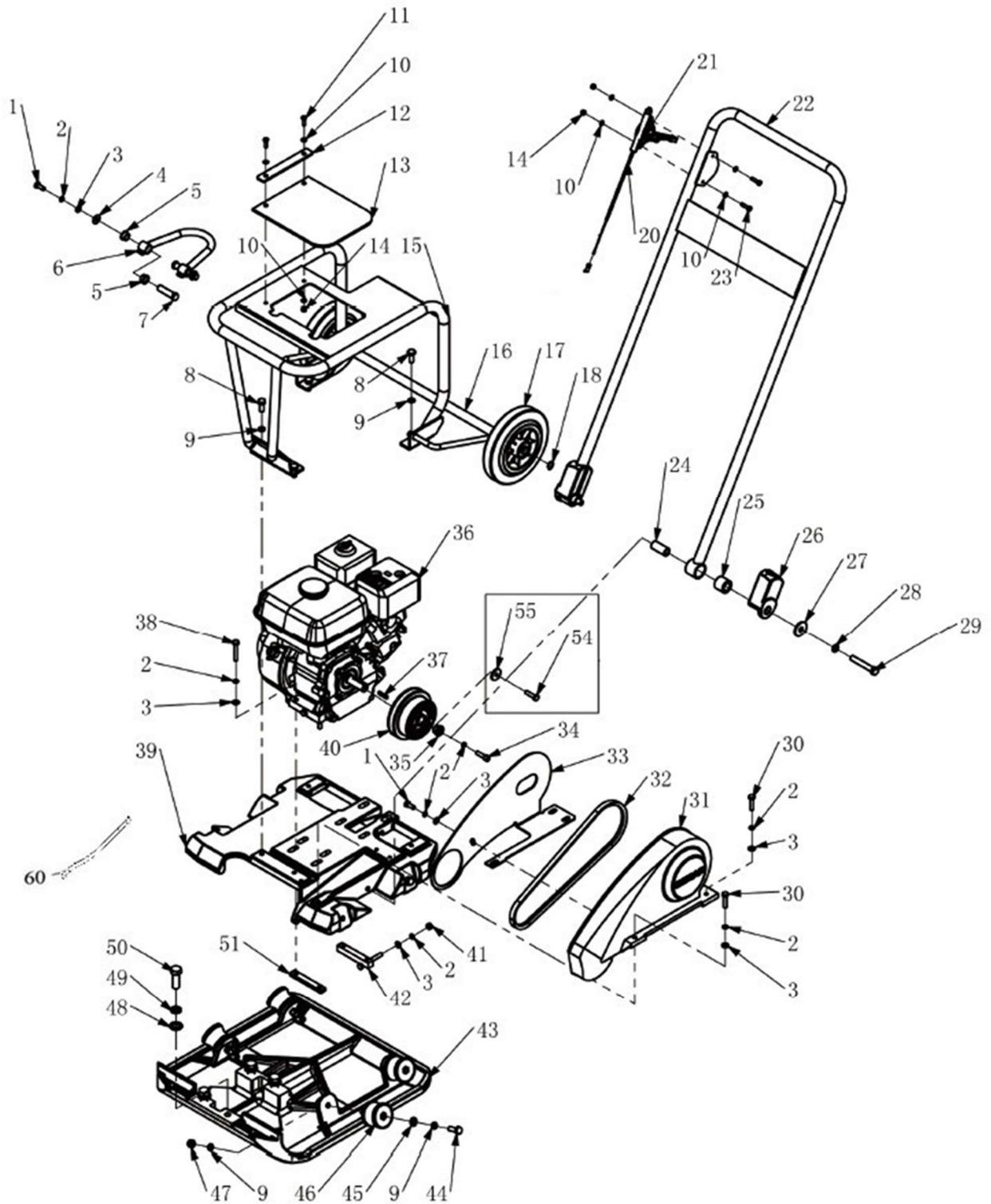


VIBRATOR: BCF2150 – PARTS LIST 1

Item #	Part #	Description	QTY	Remarks
A	651012	VIBRATOR ASSEMBLY	1	
1	65CPC-95-01A	VIBRATING CASE	1	
2	65CPC-95-02A	OIL PLUG, M12-1.25 X 10MM	1	
3	60848	WASHER, SEALING, M12	1	
4	651078	HHCS, M16-2.0x45MM	4	
5	31260	LOCKWASHER, M16	4	
6	651073	WASHER, FLAT, M16	4	
7	65CPC-95H-07A	VIBRATOR SHAFT	1	
8	65CPC-95H-08A	BEARING NJ211 EMC3	2	
9	65CPC-95-09A	CASE RIGHT COVER	1	
10	65CPC-95-010A	CASE LEFT COVER	1	
11	65CPC-95-011A	BELT COVER GUARD	1	
12	60873	OIL SEAL 35x48x10	1	
13	60843	O-RING 100 (OD) x 3.1	2	
14	11619	HHCS, M8-1.25x25MM	8	
15	11614 11667	LOCKWASHER, M8 WASHER, FLAT, M8	8	
16	651114	PULLEY, 3.5"	1	
17	651094	KEY 8x7x20	1	
18	14998	FENDER WASHER M10	1	
19	13348	HHCS, M10-1.5x25MM	1	
20	11621	LOCKWASHER, M10	1	

PARTS LIST 2 – FORWARD PLATE COMPACTORS

BODY: BCF2150



BODY: BCF2150 – PARTS LIST 2

Item #	Part #	Description	QTY	Remarks
1	10999	HHCS M8-1.25X20MM LG	4	
2	11614	LOCKWASHER, M8	13	
3	11667	FLAT WASHER, M8	12	
4	64003	FENDER WASHER M8	2	
5	651225	BUSHING	4	
6	651226	LIFTING HOOK	1	
7	651227	PIN, 14MM x 50MM	2	
8	13348	HHCS, M10-1.5x25MM	4	
9	11621	LOCKWASHER, M10	16	
10	14447	FLAT WASHER, M6	8	
11	30281	HHCS, M6-1.0x25MM, ZP	2	
12	651176	RUBBER ACCESS FLAP ASSEMBLY	1	
13				
14	50622	LOCKNUT, M6X1.0	4	
15	65CPC-95-37B	GUARD FRAME	1	
16		SEE parts list 4	1	
17		SEE parts list 4	2	
18		SEE parts list 4	2	
20	65CPC-95-27B	THROTTLE LEVER WITH CABLE	1	
21	65CPC-95-27B	THROTTLE LEVER WITH CABLE	1	
22	65CPC-95-28B	HANDLE ONLY	1	
	651228	HANDLE, W/STOPPER, BUSHING + COLLAR	1	
23	30281	HHCS M6-1.0x25MM	2	
24	65CPC-95-29B	COLLAR 13-20-44	2	
25	65CPC-95-30B	RUBBER ISOLATOR 20 x 32 x 28.5	2	
26	65CPC-95-31B	HANDLE STOPPER	2	
27	14267	WASHER, FLAT, M12	2	
28	10735	LOCKWASHER, M12	2	
29	22675	HHCS, M12-1.75x75MM	2	
30	10155	HHCS, M8-1.25x35MM	3	
31	65CPC-95-22B	BELT COVER	1	
32	30195	V-BELT, AX34	1	
33	65CPC-95-21B	BELT GUARD BACK PLATE	1	
34	11256	FHSCS, 5/16"-24UNFx1"LG	1	
35	30042	CLUTCH RET WASHER	1	
36	21333-1	ENGINE, GX160	1	
37	10208	KEY, 3/16 SQ x 1.5	1	
38	11745	HHCS, M8-1.25x55MM	4	

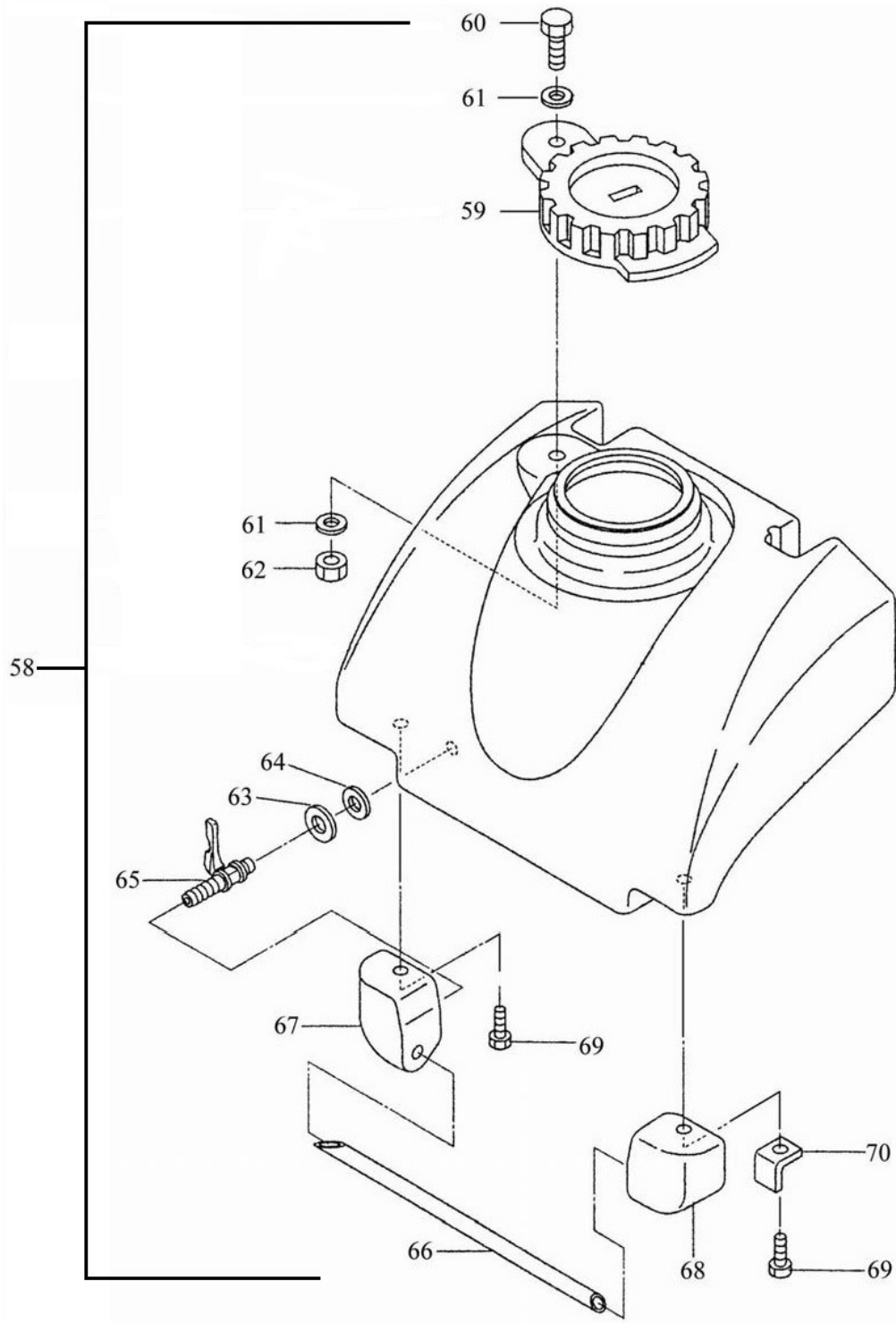
CONTINUED ON NEXT PAGE

CONTINUED FROM PREVIOUS PAGE				
39	65CPC-95-5B	BASE	1	
40	30202	CLUTCH ASSEMBLY	1	
41	11617	LOCKNUT, M8	1	
42	65CPC-95-13B	ENGINE MOUNTING BAR, W/ ADJUST BOLT	1	
43	65CPC-95-1B	VIBRATING PLATE	1	
44	14989	HHCS, M10-1.5x30MM	4	
45	41516	WASHER, M10	8	
46	651038	SHOCK ABSORBER	4	
47	11802	LOCKNUT, M10-1.5	4	
48	651078	HHCS, M16-2.0x45MM	4	
49	31260	LOCKWASHER, M16	4	
50	651073	WASHER, FLAT, M16	4	
51	65CPC-95-12B	ENGINE MOUNTING BAR	1	
54	11256	FHSCS,5/16"-24UNFx1"LG	1	
55	30042	CLUTCH RET WASHER	1	
60	13098	GROUND STRAP	1	
	651133	HANDLE STOP (NOT SHOWN)	2	

This Page Left Intentionally Blank

PARTS LIST 3 – FORWARD PLATE COMPACTORS

WATER TANK ASSEMBLY: BCF2150

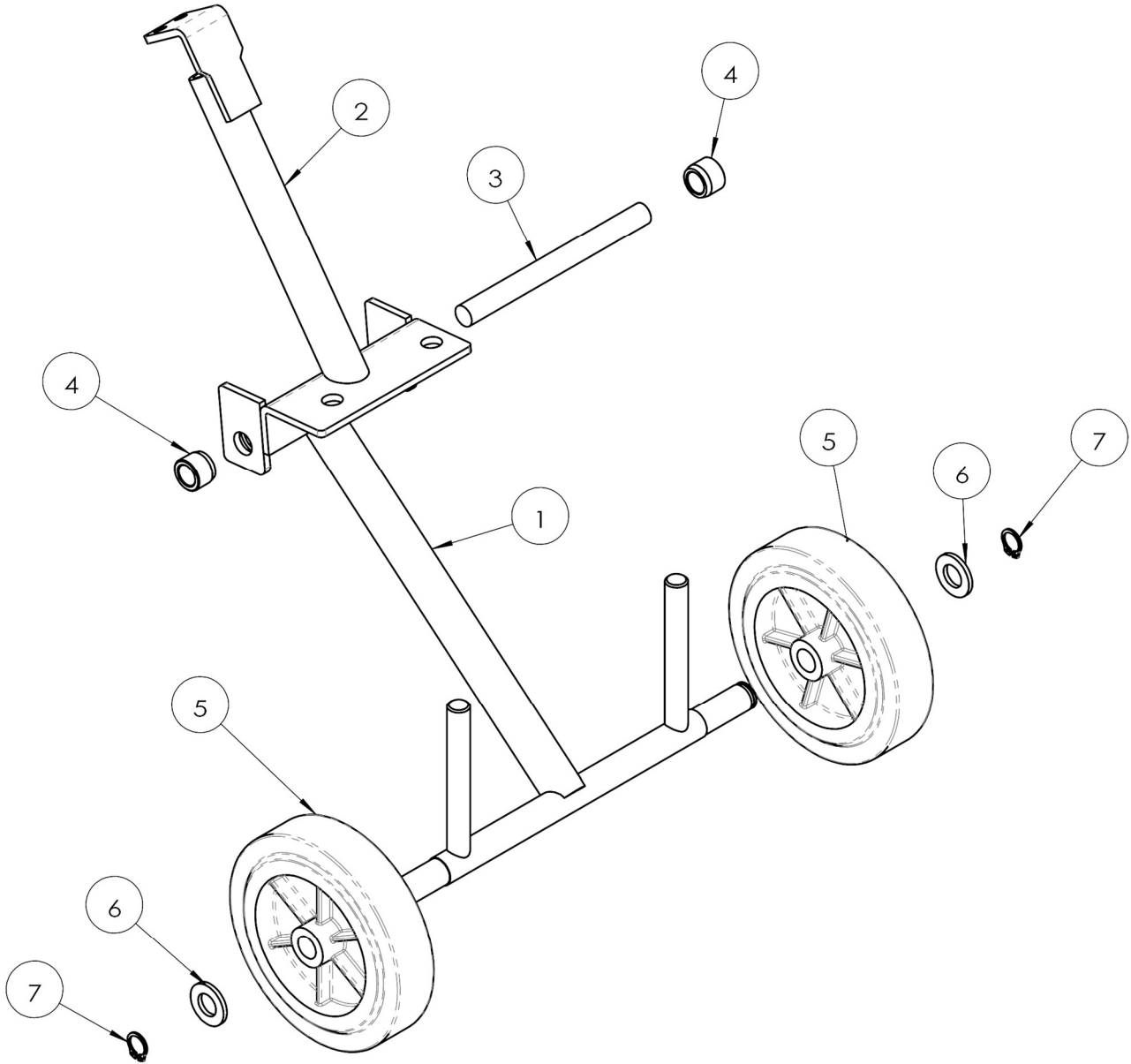


WATER TANK ASSEMBLY: BCF2150 – PARTS LIST 3

Item #	Part #	Description	QTY	Remarks
58	651077	WATER TANK ASSEMBLY (INCL. 59-70)	1	
59	65CPC-95-1-1C	CAP, WATER TANK	1	
60	31180	HHCS, M12-1.75X30MM	1	
61	10993	WASHER, FLAT, M12	2	
62	10956	NYLON NUT M10	1	
63	65CPC-95-2C	WASHER 14.1 x 30 x 1.6	1	
64	65CPC-95-3C	BRASS NUT (WATER VALVE)	1	
65	65CPC-95-4C	WATER VALVE	1	
66	65CPC-95-5C	SPRINKLING PIPY	1	
67	65CPC-95-6C	PIPE HOLDER LEFT	1	
68	65CPC-95-7C	PIPE HOLDER RIGHT	1	
69	10999	HHCS, M8-1.25X20MM	2	
70	11043	WASHER, FLAT, 1/4"	1	

PARTS LIST 4 – FORWARD PLATE COMPACTORS

WHEELS: BCF2150



WHEELS: BCF2150 – PARTS LIST 4

Item #	Part #	Description	QTY	Remarks
A	651097	COMPLETE WHEEL KIT	1	
1	65CPC-95-01D	WHEELS FRAME 1	1	
2	65CPC-95-1-02D	WHEELS FRAME 2	1	
3	65CPC-95-1-03D	SHAFT	1	
4	65CPC-95-1-04D	COLLAR	2	
5	651085	WHEELS	2	
6	14267	WASHER, FLAT, M12	2	
7	65CPC-95-07D	CIRCLIP M12	2	
	651042	RUBBER HOLDER (NOT SHOWN)	1	

This Page Left Intentionally Blank

DECLARATION OF CONFORMITY

CERTIFICAT DE CONFORMITÉ / GELIJKVORMIGHEIDS CERTIFICAAT / DECLARACIÓN DE CONFORMIDAD / DECLARAÇÃO DE CONFORMIDADE / DICHIARAZIONE DI CONFORMITA

We:	Bartell Morrison Inc. 170 Traders Blvd E Mississauga, Ontario, Canada L5T 3A7 Tel: (905) 364-4200 Toll Free: (866) 501-1683 Fax: (905) 364-4201	Bartell Morrison USA LLC 200 Commerce Drive, Unit A Freehold, NJ, USA 07728 Tel: (732) 566-5400 Toll Free: (888) 999-1570 Fax: (732) 566-5444
------------	--	--

Declare under our sole responsibility that the product to which this declaration relates is in conformity with the following standard(s) or other normative documents.

Déclarons sous notre responsabilité que le produit cette déclaration est conforme aux normes suivantes ou d'autres documents habituels.

Verklaren onder onze verantwoordelijkheid dat het product naar welke de verklaring verwijst conform de volgende standaards of anders gebruikelijke documenten is.

Declaramos bajo nuestra única responsabilidad que el producto en lo que esta declaración concierne, es conforme con la siguiente normativa u otros documentos.

Declara sob sua responsabilidade que o produto a quem esta declaração interessar, está em conformidade com os seguintes documentos legais ou normas directivas.

Dichiariamo sotto la ns. unica responsabilità che il prodotto al quale questa dichiarazione si riferisce, è fabbricato in conformità ai seguenti standard e documenti di normative.

EN 349:1993	Safety of Machinery - Minimum gaps to avoid crushing of parts of the human body.
EN 418:1993	Safety of Machinery - Emergency stop equipment, functional aspects - Principles for design
EN 12100-1:2003	Safety of Machinery - Basic Concepts, general principles for design - Part 1: Basic Terminology, methodology
EN 12100-2:2003	Safety of Machinery - Basic Concepts, general principles for design - Part 2: Technical Principles
EN ISO 4872:1978	Acoustics - Measurement of Airborne noise emitted by construction equipment intended for outdoor use - Method for determining compliance with noise limits.
EN ISO 5349-1:2001	Mechanical vibration. Measurement and evaluation of human exposure to hand-transmitted vibration. General requirements
EN ISO 5349-2:2001	Mechanical vibration. Measurement and assessment of human exposure to hand-transmitted vibration. Practical guidance for measurement at the workplace.

Following the provisions of Directive(s):

Suivant les directive(s) déterminées:

Volgens de vastgestelde richtlijnen:

Siguiendo las directiva(s):

No seguimento das clausulas da Directiva(s):

Seguendo quanto indicato dalla Direttiva(s):

98/37/EC	Machinery Directive
2000/14/EC	Noise Directive
2001/95/EC	General Product Safety Directive
2002/95/EC	Reduction of Hazardous Waste Directive

BARTELL

BARTELL GLOBAL



Bartell Morrison Inc.
170 Traders Blvd E
Mississauga, Ontario, Canada
L4Z 1W7
Tel: 1-647-953-4100
Fax: 1-647-953-4101



Bartell Morrison (USA) LLC
200 Commerce Drive, Unit A
Freehold, New Jersey, USA
07728
Tel: 1-848-225-8100
Fax: 1-848-225-8101



Innovatech
4701 Allmond Ave
Louisville, Kentucky, USA
40209
Tel: (425) 405-9100
Fax: (425) 405-9101



SPE International
Honeyholes Lane
Dunholme, Lincoln, UK
LN2 3SU
Tel: +44 (0)1673 860709
Fax: +44 (0)1673 861119



**BARTELL
GLOBAL**

**5 BRANDS - 1 SOURCE FOR
GREAT EQUIPMENT**

BARTELL morrison SPE Innovatech CONTEC

BARTELLGLOBAL.COM