



INNOVATECH PRODUCTS & EQUIPMENT. 4701 Allmond Ave, Louisville, KY 40209, USA  
Telephone: 1-425-405-9100

# RIDE-ON TERMINATORS

## T-3000EI

### COMPLETE MANUAL



[www.BARTELLGLOBAL.com](http://www.BARTELLGLOBAL.com)



www.BARTELLGLOBAL.com

**Bartell Morrison Inc.**  
170 Traders Blvd  
Mississauga, Ontario, Canada  
L4Z 1W7  
Tel: (647) 953-4100  
Fax: (647) 953-4101

**Bartell Morrison USA LLC**  
200 Commerce Drive, Unit A  
Freehold, NJ, USA  
07728  
Tel: (848) 225-8100  
Fax: (848) 225-8101

**SPE International Ltd**  
Honeyholes Lane  
Dunholme, Lincoln, England  
LN2 3SU  
Tel: 01673 860709  
Fax: 01673 861119

**Innovatech**  
4701 Allmond Ave  
Louisville, Kentucky, USA  
40209  
Tel: (425) 405-9100  
Fax: (425) 405-9101

ORIGINAL LANGUAGE OPERATING MANUAL FOR  
BARTELL RIDE-ON TERMINATORS

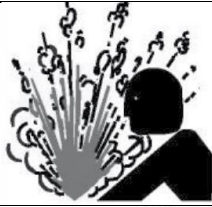
© 2021 Bartell Morrison Inc.

No part of this work may be reproduced or transmitted in any form or by any means, electronic or mechanical, including photocopying and recording, or by any information storage or retrieval system without the prior written permission of Bartell Morrison Inc. unless such copying is permitted by federal copyright laws.

Address inquiries or reference permissions care of: Bartell Morrison Inc., 170 Traders Blvd.  
E, Mississauga, Ontario, Canada L4Z 1W7

REV.	DATE	DESCRIPTION	APPROVED BY:
-	10/28/16	Initial release	
1	09/11/17	Revised text, added exploded views	
2	02/08/18	Corrected part numbers/quantities, renumbered balloons	SS
4	04/16/18	Updated fasteners, balloons	SS
5	8/14/20	Updated unit specs	ESC
6	5/26/21	Added Part number on pg38.	AN

## SAFETY PRECAUTIONS



### **DANGER EXPLOSION HAZARD**

Never operate the machine in an explosive atmosphere, near combustible materials, or where ventilation does not clear exhaust fumes.



### **WARNING BURN HAZARD**

Never come into contact with the engine or muffler when engine is operating or shortly after it is turned off. Serious burns may occur.



### **WARNING ROTATING HAZARD**

Never place hands or feet inside safety guard rings. Serious injury will result from contact with rotating blades.



### **CAUTION MOVING PARTS**

Before starting the machine, ensure that all guards and safety devices are in place and functioning properly.



### **ATTENTION READ OWNER'S MANUAL**

Read and understand owner's manual before using this machine. Failure to follow operating instructions could result in serious injury or death.

## TABLE OF CONTENTS

<b><u>1.</u></b>	<b><u>INTRODUCTION</u></b>	<b><u>6</u></b>
<b><u>2.</u></b>	<b><u>ABOUT THIS MANUAL</u></b>	<b><u>6</u></b>
<b><u>3.</u></b>	<b><u>IMPORTANT SAFETY INSTRUCTIONS</u></b>	<b><u>7</u></b>
○	1. SAFETY INSTRUCTIONS FOR ALL TOOLS	7
○	2. ADDITIONAL SAFETY RULES FOR RIDING FLOOR SCRAPERS	8
<b><u>4.</u></b>	<b><u>GENERAL OPERATING INSTRUCTIONS FOR THE TERMINATOR®</u></b>	<b><u>9</u></b>
<b><u>5.</u></b>	<b><u>SAFETY FEATURES</u></b>	<b><u>9</u></b>
○	1. AUTO STOP	9
○	2. WARNING LIGHT AND BACK-UP ALARM	9
○	3. FIRE EXTINGUISHER	9
○	4. EMERGENCY STOP BUTTON	9
○	5. SAFETY INSTRUCTIONS	10
<b><u>6.</u></b>	<b><u>T-3000EI TERMINATOR® SPECIFICATIONS</u></b>	<b><u>10</u></b>
○	1. TOOLS AND SUPPLIES	10
<b><u>7.</u></b>	<b><u>VENTILATION REQUIREMENTS</u></b>	<b><u>10</u></b>
<b><u>8.</u></b>	<b><u>GUARDS, WARNING NOTICES &amp; SIGNS</u></b>	<b><u>10</u></b>
<b><u>9.</u></b>	<b><u>SERVICE INSTRUCTIONS &amp; PERSONNEL</u></b>	<b><u>11</u></b>
<b><u>10.</u></b>	<b><u>REPLACEMENT PARTS &amp; MATERIALS</u></b>	<b><u>11</u></b>
<b><u>11.</u></b>	<b><u>UNCRATING AND PREPARING THE TERMINATOR® FOR OPERATION</u></b>	<b><u>11</u></b>
○	1. TO REMOVE THE TERMINATOR® FROM A CRATE WITH A FORKLIFT:	12
○	2. TO REMOVE THE TERMINATOR® FROM A CRATE WITHOUT A FORKLIFT:	12
<b><u>12.</u></b>	<b><u>LOADING/UNLOADING PROCEDURES</u></b>	<b><u>12</u></b>
<b><u>13.</u></b>	<b><u>OPERATOR CONTROLS</u></b>	<b><u>12</u></b>
○	1. DRIVE/JAW CONTROLS, FOOT PEDAL	12
○	2. AUTO STOP	13
○	3. EMERGENCY BRAKE	13
○	4. POWER LIMITER	13
○	5. MANUAL DISCONNECT AND LOCKOUT	13
<b><u>14.</u></b>	<b><u>DISPLAY &amp; INDICATORS</u></b>	<b><u>13</u></b>
○	1. BATTERY DISPLAY AND HOUR METER	13
○	2. HYDRAULIC OIL OVER TEMPERATURE INDICATOR	13
○	3. HYDRAULIC FILTER CLOG INDICATOR	13
<b><u>15.</u></b>	<b><u>ELECTRIC MOTOR &amp; BATTERIES</u></b>	<b><u>14</u></b>
<b><u>16.</u></b>	<b><u>BLADE ASSEMBLY</u></b>	<b><u>14</u></b>
<b><u>17.</u></b>	<b><u>TAKING UP FLOOR COVERINGS</u></b>	<b><u>14</u></b>

<b><u>18.</u></b>	<b><u>BALLAST</u></b>	<b><u>14</u></b>
<b><u>19.</u></b>	<b><u>TRICYCLE OR CASTER WHEELBASE AND TIRES</u></b>	<b><u>15</u></b>
<b><u>20.</u></b>	<b><u>BATTERY SAFETY</u></b>	<b><u>15</u></b>
○	1. RECEIVING THE TERMINATOR®	15
○	2. LIFTING BATTERIES	15
○	3. WEAR PROTECTIVE CLOTHING	15
<b><u>21.</u></b>	<b><u>SETTING UP A CHARGING AREA</u></b>	<b><u>16</u></b>
○	1. CONNECTING/DISCONNECTING CHARGER	16
○	2. BASIC CHARGING FACTS	17
<b><u>22.</u></b>	<b><u>MAINTENANCE PROCEDURES</u></b>	<b><u>17</u></b>
<b><u>23.</u></b>	<b><u>PARTS LIST</u></b>	<b><u>18</u></b>
<b><u>24.</u></b>	<b><u>WARRANTY</u></b>	<b><u>47</u></b>

## **1. Introduction**

The Terminator® Carpet and Tile Removal Machine is intended for use on large demolition and asbestos abatement projects as well as smaller floor covering removal jobs. Designed and built by experienced floor covering demolition and installation experts, the machine incorporates several design features that are essential for efficient operation:

- Tricycle wheelbase and short turning radius allows for better turning ability - especially in narrow spaces.
- Jaw position and tool position adjustments allow for changing the angle of the blade for any application.
- Ballasts in the front and rear provides extra traction needed for tile and glue removal.
- Built-in forklift transportation slots allow for easy loading and unloading at job sites.
- Foot control for a smooth start and stop.

If operated and cared for as instructed in this Manual, the Terminator® provides trouble-free, safe, and efficient performance.

## **2. About This Manual**

This Manual contains the information and procedures to assist you to operate and maintain the Terminator® machine safely and correctly. Read this Manual before you operate or service the equipment. If you need additional information or assistance, please get in touch with our Customer Service Department:

Innovatech Products & Equipment Co.  
4701 Allmond Ave  
Louisville, KY 40209  
(425) 402-1881 or 800-267-6682  
Fax (425) 402-8547  
Email: [service@InnovatechProducts.com](mailto:service@InnovatechProducts.com)

NOTE: Throughout this Manual, directional instructions (left, right, up, down, push, pull, etc.) are given from the point of view of the operator performing the action.

### **3. Important Safety Instructions**



**WARNING:** *When using electric tools, basic safety precautions should always be followed to reduce the risk of fire, electric shock, and personal injury, including the following: **READ ALL INSTRUCTIONS***

#### **1. Safety Instructions for All Tools**

- **KEEP GUARDS IN PLACE** and in working order.
- **REMOVE ADJUSTING TOOLS AND WRENCHES.** Form habit of checking to see that keys and adjusting wrenches are removed from the Terminator® before turning tool on.
- **KEEP WORK AREA CLEAN.** Cluttered areas invite accidents.
- **KEEP CHILDREN AWAY.** All visitors should be kept a safe distance from the work area.
- **WEAR PROPPER APPAREL.** No loose clothing, gloves, neckties, rings, bracelets or other jewelry to get caught in moving parts. Non-slip footwear is recommended. Wear protective hair covering to contain long hair.
- **ALWAYS WEAR SAFETY GLASSES.** Also use a face or dust mask if operating in a dusty environment. All users and bystanders must wear eye protection that conforms to ANSI Z87.1. (CAN/CSA Z94.3)
- **MAINTAIN EQUIPMENT WITH CARE.** Keep equipment clean for best and safest performance. Follow instructions for lubrication and changing accessories.
- **DISCONNECT BATTERY** before servicing.
- **REDUCE THE RISK OF UNINTENTIONAL STARTING.** Make sure handles are centered.
- **USE RECOMMENDED ACCESSORIES.** Consult the instruction manual for recommended accessories.
- **NEVER STAND ON TOOL.** Serious injury could occur if the machine is tipped or rocked.
- **CHECK DAMAGED PARTS.** Before further use of the tool, a guard or other part that is damaged should be carefully checked to determine that it will operate properly and perform its intended function. Check for alignment of moving parts, binding of moving parts, breakage of parts, mounting and any other conditions that may affect its operation. A guard or other part that is damaged should be properly repaired or replaced. Do not use tool if switch does not turn it on and off.
- **NEVER LEAVE EQUIPMENT RUNNING UNATTENDED. TURN POWER OFF.** Don't leave equipment until it comes to a complete stop.
- **DO NOT OPERATE ELECTRIC TOOLS NEAR FLAMABLE LIQUIDS OR GASSES OR EXPLOSIVE ATMOSPHERES.** Motors in these tools may spark and ignite fumes.

## 2. Additional Safety Rules for Riding Floor Scrapers



CAUTION: FAILURE TO HEED THESE WARNINGS MAY RESULT IN SERIOUS PERSONAL INJURY OR DEATH AND SERIOUS DAMAGE TO THE TERMINATOR®.

The Terminator® is to be operated only by qualified, trained personnel.

DON'T attempt to operate the Terminator® if you are not thoroughly familiar with the operation of the Terminator®.

DON'T operate the Terminator® unless every guard, warning notice or sign is in place.

DON'T use the Terminator® on roofs or floors not designed to carry the weight of the machine.

DON'T attempt to operate on anything but the designated voltage.

DON'T wedge anything against the motor fan to hold motor shaft.

DON'T operate equipment without guards in place.

DON'T operate the Terminator® near an open flame or smoking materials

DON'T stand directly behind or in front of the Terminator® when power is enabled.

DON'T lift the hood, inspect the blade, or otherwise service or maintain the Terminator® while power is enabled.

DON'T operate the Terminator® if the top cover is open.

DON'T overreach. Keep proper footing and balance at all times.

DON'T run the machine into piles of debris, as this may cause the machine to become unstable and tip over.

DON'T sit on or stand next to, under or around the Terminator® when it is being transported in a moving vehicle, whether by itself or with other equipment.

DON'T attempt to use the Terminator® on a non-horizontal surface or turn the Terminator® around on a ramp or hill.

DON'T put your hands or feet in the blade area when the Terminator® is running.

DO turn the power off when not in use.

DO use personal safety equipment such as steel toe shoes, safety glasses, gloves, and ear plugs.

DO use gloves when changing blades and removal tools. Tools may be hot and cause burns.

DO familiarize yourself with all safety features and controls before each use.

DO use the Terminator® only for the purpose for which it was designed. Attempting to alter the Terminator® will invalidate applicable warranties and possibly damage the machine.

DO reduce speed next to walls, machinery and other objects.

DO pre-survey the floor for cracks, ditches, trenches, electrical outlets or bolts, which could catch the blade of the machine.

DO operate the Terminator® at a safe speed.



## **4. General Operating Instructions for the Terminator®**

The Terminator® is designed to remove carpet, tile and glue residue from floors.

- When removing product, position removed product so it rolls to the side of the machine or have someone on the side of the machine remove the product. NEVER WALK IN FRONT OF OR BEHIND THE TERMINATOR® WHILE IT IS RUNNING.
- Sharpen blades or dice material into narrower widths if machine slows down or seems to be struggling.
- Do not use the Terminator® within one foot of walls or stationary objects. Damage to objects may occur if the Terminator® strikes them.
- Use safe, OSHA-approved tools and methods for sharpening blades.
- Make sure the Terminator® has a charged fire extinguisher, working backup alarm, and strobe light before operating.

## **5. Safety Features**

The Terminator® is equipped with several features to help ensure your safety and the safety of workers around you.

### **1. Auto Stop**

The Terminator® has two drive levers located to the right and left of the operator seat and a jaw height lever to the left of the operator seat. The drive levers control the forward, reverse, left, and right directions of the machine; the jaw height lever raises and lowers the jaw assembly. You must push (forward) or pull (reverse) and hold the levers in position to drive the machine or move the jaw assembly in the direction desired. When you release a lever, the Terminator® or jaw automatically STOPS and will not move again until you push/pull and hold the levers again. However, these levers are not meant as brakes. Block wheels with a floor block when stopping on a ramp and use the emergency brake. Without the emergency brake the machine may roll forward or backwards on any sloping surface.

### **2. Warning Light and Back-Up Alarm**

An amber light is installed on the top section of the rear battery box. When the ignition is in the ON position, the warning light will flash. When the drive control is set in REVERSE, the back-up alarm will sound.

### **3. Fire Extinguisher**

A fire extinguisher with gauge is installed on the hood behind the operator's seat within the operator's reach. As a safety measure, regularly inspect the gauge and recharge the fire extinguisher as needed to maintain full capacity. Always recharge the extinguisher after each use.

### **4. Emergency Stop Button**

To the right side of the operator seat is a red emergency stop button. This will remove power from the motor and other electronic components. **Warning!** Removing power from the Terminator® while on a hill or ramp can lead to a dangerous rollaway situation. Always engage the parking brake before disconnecting power.

## 5. Safety Instructions

The Terminator® is designed for safe operation by trained, designated personnel. To help ensure your safety as a designated operator, read these safety instructions before you operate the equipment. Regardless of your experience with machinery, the Terminator® has unique features and systems which you need to know about and understand before you operate or service the machine.

## 6. T-3000EI Terminator® Specifications

Element	English	Metric
Length	64"	1626 mm
Width	26.5"	673 mm
Height	47"	1194 mm
Weight	2800 lbs	1270 kg
Tires (OD x W)	15" x 8"	381 mm x 203 mm
Motor Voltage	48 VDC	
Motor Power	10 HP	7.5 kW
Batteries	6 VDC 415 Ah	
Motor Operating Speed	0-3600 RPM	
Hydraulic Oil Type	ISO 46	
Hydraulic Oil Capacity	11 Gal	41.6 L
Hydraulic Relief Valve Pressure	2200 psi	15.17 MPa

## 1. Tools and Supplies

Maintenance tools and supplies are not provided with the machine. The following are suggested items to have on the job site.

1. 4" or 7" Grinder
2. 10"-15" Crescent Wrench
3. 16-20 oz. Hammer
4. 3/8" or 1/2" Socket Set
5. Grease Gun
6. WD 40
7. 3/4" Open End and Box Wrench
8. Screw Driver Set
9. Safety Glasses
10. Ear Plugs

## 7. Ventilation Requirements

Charge the batteries only in well-ventilated areas. (See Battery Safety section)

## 8. Guards, Warning Notices & Signs

The guards, warning notices and signs are placed on the Terminator® for your protection. If one of them becomes damaged or is lost, contact our Customer Service Department to order a replacement.

## **9. Service Instructions & Personnel**

Like other machinery, the Terminator® requires regular inspection and maintenance of the batteries, motor, hydraulic system and other parts. To prolong the safe and efficient operating life of the machine, clean and service it as instructed in the Maintenance section of this manual.

**Always** use trained personnel to service the equipment. **Never** allow anyone to service the equipment that has not been specifically trained to do so.

If you need help with a service or maintenance problem, contact our Customer Service Department.

## **10. Replacement Parts & Materials**

The Terminator® is designed and engineered to operate safely and efficiently with the parts and materials installed on it in our factory. To ensure the continued safe and efficient operation of the equipment, use replacement parts and materials that meet both of the following requirements:

- Innovatech must solely authorize replacement parts and materials.
- Replacement parts and materials must be identical to the items originally provided with the machine, except as authorized by Innovatech.

Never use “equivalent” or substitute parts, except as expressly authorized by Innovatech.

If you fail to adhere to these instructions, you may cause injury to yourself and/or others, cause damage to the Terminator®, and invalidate applicable warranties.

If you are in doubt about any replacement parts or materials, call our Customer Service Department for assistance.

## **11. Uncrating and Preparing the Terminator® for Operation**

When you receive the Terminator®, inspect the outside of the crate completely, to detect damage to the crate itself. If it is damaged, notify the carrier immediately and follow his/her instructions to file a claim.

Carefully uncrate the machine and inspect it for damage that may have occurred during shipping. If the shipment is damaged, notify the carrier immediately and file a claim in the normal manner.

Check packing slip for complete shipment. If shipment is incomplete, notify our Customer Service Department within 24 hours.

Remove the crate debris, set aside the blades and other packages, and prepare the Terminator® for operation:

CAUTION! If using conventional non-AGM lead acid batteries, wear acid-resistant gloves and safety glasses and use extreme care when checking battery water levels.

### 1. To remove the Terminator® from a crate with a forklift:

1. Forklift slots have been provided on the sides of the Terminator® for moving the terminator with a forklift.

### 2. To remove the Terminator® from a crate without a forklift:

1. Take 2 x 4's off the edge of the crate and between the wheels.
2. Place 2 x 4's behind the crate of the rear of the machine.
3. Make a ramp with the 2 x 4's and the crate material.
4. To enable power to the Terminator®, turn the key, pull up on the red knob.
5. Pull back the left and right handles evenly and depress the foot pedal slowly. The machine will start moving slowly backwards.
6. Ensure that both rear wheels come off the crate evenly. Failure to back off evenly could result in the machine tipping over and harm to the operator.
7. As the machine moves back, ensure that the center wheel clears the crate. If the center wheel does not clear the crate, raise the machine until the wheel clears.
8. Once the machine is on the ramp, slide it all the way to the bottom, then raise the jaw assembly up and set the center wheel down on the ground.
9. Whenever mounting or dismounting the Terminator®, ALWAYS disable the power by pressing down on the red power knob.

## 12. Loading/Unloading Procedures

- Do not load or unload the Terminator® on uneven ground.
- Ensure ramps into moving vehicles are stable and square to the ground.
- Always turn off the Terminator® before transporting it.
- Load and unload the machine with a properly weighted forklift or lift-gate.
- Make sure all safety stops are installed on a lift-gate before loading or unloading.
- Never position yourself under/around the machine while moving it with other machinery.
- Park the machine with the jaw completely down after loading.
- Properly secure the machine with chains, tire chocks, and other necessary tie downs.
- Never ride in a moving vehicle next to a Terminator®. It may tip, causing severe injury.

## 13. Operator Controls

### 1. Drive/Jaw Controls, Foot Pedal

The drive and jaw controls (three levers) are located to the left and right of the operator seat. The drive levers (left and right) control the direction of rotation of the rear wheels. The jaw height lever (left) controls the vertical position of the jaw assembly. The foot pedal controls the speed of the hydraulic pump. The levers only work when the foot pedal is partially depressed and the pump is running.

- Push the left and right levers forward **together** and hold them in position, then slowly depress the foot pedal to move the machine forward.

- Pull the left and right levers back **together** and hold them in position, then slowly depress the foot pedal to move the machine in reverse - the alarm will sound.
- Push only the left lever forward to turn the machine to the right.
- Push only the right lever forward to turn the machine to the left.
- To adjust the jaw assembly down, push and hold the jaw lever and depress the foot pedal. To adjust the jaw assembly up, pull and hold the jaw lever back and depress the foot pedal.

## 2. **Auto Stop**

When you release the drive or jaw lever, the motor continues to run (with foot pedal depressed) but the drive or jaw motion automatically stops and will not start again until you push or pull the levers.

## 3. **Emergency Brake**

The Terminator® is supplied with an emergency brake to prevent unintended movement when left unattended. The brake handle is located to the left of the operator seat. Pull the handle up to engage the brake, push the handle down to release the brake. To increase tension on the brake you can rotate the end of the handle in a clockwise direction. Rotate the end of the handle counter clockwise to reduce the tension.

## 4. **Power Limiter**

The power limiter allows the top speed output to be set from 70% to 100%. This will allow you to conserve power during normal operation when top speed is not required.

## 5. **Manual Disconnect and Lockout**

The manual disconnect is located to the right side of the operator seat. To enable operation of the Terminator® unlock the manual disconnect lock and pull up. In case of emergency push down to remove power from all electrical components. Always push down this switch to OFF when the Terminator is not in use.

# 14. **Display & Indicators**

## 1. **Battery Display and Hour Meter**

The battery display shows pump use time, key power time, and battery life. When the last light starts to blink you have roughly 15 minutes before all power is depleted.

## 2. **Hydraulic Oil Over Temperature Indicator**

Normal temperatures are below 120°F. Do not allow the hydraulic fluid to exceed 200°F because it may damage the hydraulic system and in turn damage the Terminator®. If the indicator light is continually coming on, turn the machine off and let it cool down for 45-60 minutes. If the light is still regularly turning on, please call Innovatech.

## 3. **Hydraulic Filter Clog Indicator**

The hydraulic oil filter is equipped with a clog indicator which will illuminate when the hydraulic oil filter is clogged. The indicator may briefly illuminate in cases of extreme cold, and will turn off when the hydraulic oil was warmed to a normal operating temperature.

## **15. Electric Motor & Batteries**

The electric motor and batteries are located under the top cover. The electric motor provides the power to the hydraulic pump to drive the Terminator®. The electric motor requires little maintenance, inspect wire connections and check for debris to maintain its efficiency and prolong its operating life.

Battery life can be ensured by proper periodic maintenance. Check that the battery water levels remain sufficiently high to cover the battery electrode plates – replenish low levels with distilled or deionized water. Do not use tap water as the minerals present will reduce the effectiveness of the batteries and shorten total battery life. The batteries should be charged before storing the Terminator® into long-term storage, and charged monthly when not in use to prolong battery life. A maintenance charge cycle should be performed every fifth charge to maintain optimum battery performance.

## **16. Blade Assembly**

Blades are available in different configurations and thickness. An assortment of blades is included in the purchase price of the Terminator®. Extra blades are available upon request from Innovatech Products & Equipment Co., Inc.

Installing a Blade:

1. Raise the jaw assembly to maximum up position.
2. Unwrap the pre-sharpened blades and select the blade thickness and length you need for the job.
3. Loosen the 7 holding bolts.
4. Insert the sharpened blade.
5. Tighten bolts firmly, starting from the center and working out. Bolts should be snug but not over-tightened.

## **17. Taking Up Floor Coverings**

1. Insert the blade. (See Blade Assembly)
2. Lower the jaw assembly to the floor. Lift the caster wheel off the floor 1/4 inch. Use previous procedures to drive forward.
3. As the Terminator® is removing flooring material, it is recommended to have another person at the side of the machine removing accumulating debris.

## **18. Ballast**

The T-3000EI Terminator® can be equipped with weight plates® in the front (38 lbs. each) and in the rear (75 lbs. each) to provide traction for tough jobs. These weights can be easily removed to reduce traction or assist in transportation. Wear gloves whenever handling the weights to reduce the risk of injury, following OSHA approved lifting techniques.

## **19. Tricycle or Caster Wheelbase and Tires**

The tricycle wheelbase is designed for a better turning ability. The wheel bearings on the front caster roller require lubrication with grease every 30 hours of machine operation. There are three fittings, two on the wheel and one on the housing. When running over debris such as carpet, the carpet yarn will get caught between the wheel and the housing. Clean out wheel and housing regularly.

The rear tires are solid rubber, tubeless, and require no maintenance. Over time, they may wear out and need replacing. Before each job, inspect the rear tires and lug bolts. Tighten the lug bolts as needed to 70 ft.-lbs. torque – it is important to keep the lug bolts tight.

The wheel hubs should be tightened from 310 to 350 ft.-lbs. Inspect and re-torque every 60 hours of operation. Lift the machine off the floor so no weight is on the wheel when re-torquing the pack nut.

## **20. Battery Safety**

### **1. Receiving the Terminator®**

After receiving the Terminator®, examine the covers and battery catch tray for signs of damage. Attention should be given to the crate and pallet of the Terminator® when it arrives for any damage that may have happened during shipment. If you see any dented or crushed housing parts contact Innovatech for procedures to repair shipping damage. If you see a wet area, the batteries may have tipped during shipping.

The following is only applicable for standard lead-acid (Non-AGM) batteries:

Only trained or authorized personnel should change, repair or charge batteries. Every cell should be inspected to be sure that the electrolyte is above the battery plates. When used properly, a lead-acid battery is a safe, dependable source of electrical power. However, if proper care and safety precautions are not exercised when handling said battery, it can be a dangerous piece of equipment.

### **2. Lifting Batteries**

Always use proper lifting equipment to reduce the risk of battery damage, shorting and possible injury. An insulated lifting device used with an overhead hoist is the safest way to move a battery. Chain hoists used to handle batteries should be equipped with a non-metallic container or bucket to prevent the chains from dangling and possibly causing a short by coming in contact with exposed cell connectors on the top of the battery.

Never lift batteries by the inter-cell connecting cables, the connectors will come apart while the battery is in midair. Connectors on these cables are designed for maximum current flow, not strength. Connect the lifting device to the negative terminal only if there is not a lifting strap in place. Lifting by both terminals could cause the negative and positive terminals to short.

### **3. Wear Protective Clothing**

When working on or near batteries, always wear proper protective clothes including a face shield, safety glasses, long sleeved shirt, and acid-resistant gloves. Do not wear

any metal jewelry including rings, as they can short circuit a battery and become extremely hot if it accidentally contacts exposed intercell connectors.

## **21. Setting up a Charging Area**

All owners of the Terminator® need to designate a charging area to charge the battery pack at the end of a workday or while storing the Terminator®. This area should have all the proper battery handling equipment and be well ventilated, even for trickle-charge scenarios. Ventilation is considered satisfactory if the hydrogen concentration does not exceed 1.5-2% in any one location. Concentrations above 4% are explosive and dangerous.

Factors determining proper ventilation include the number of Terminator® machines or other battery-operated machinery such as forklifts that are stored in the location, as well as the size, height, and air-tightness of the storage location.

Many instruments, such as combustible gas indicators and flammable vapor indicators, are available for continuous and automatic analysis of hydrogen content in the air. A floor standing fan or box fan will significantly help to disperse off-gassing.

A source of running water is desirable, preferably a water hose at the charging and filling station(s). The floor in the battery charging and filling area(s) should have an acid resistant coating and be able to be washed down with clean water after a spill. The spill should be neutralized with baking soda or soda ash before it is cleaned up. While these products are relatively safe to handle, the chemical reaction with the spill will produce carbon dioxide, a heavy gas that tends to collect in low places if not properly ventilated.

Carbon dioxide is a non-toxic gas on its own, but if its presence dilutes the oxygen content of the air from the normal 21% to 16% or below, breathing in that air can cause injury or death. Proper ventilation will control this hazard in open spaces, although extra care should be taken when neutralizing significant quantities of sulphuric acid in closed areas.

Neutralizing sulphuric acid with lime, caustic soda, or ammonium hydroxide will not produce carbon dioxide but are dangerous chemicals themselves, and should ONLY be handled by qualified, chemically trained individuals

### **1. Connecting/Disconnecting Charger**

Always turn the charger off at the charging unit before connecting or disconnecting the battery charger leads. The Battery Connector below the seat is shipped in a disconnected state; this will have to be reconnected to operate the Terminator®. It is also good practice to leave this main power connector unplugged during storage.

Live leads can cause arcing and sparks which could cause an explosion if battery gases are present, please check that the main contactor/disconnector is not in the on condition when you connect or disconnect the battery terminal plug. In addition, the battery connector terminals will become pitted over time resulting in poor connections and increased heat generation in the battery leads and connectors.



## 2. Basic Charging Facts

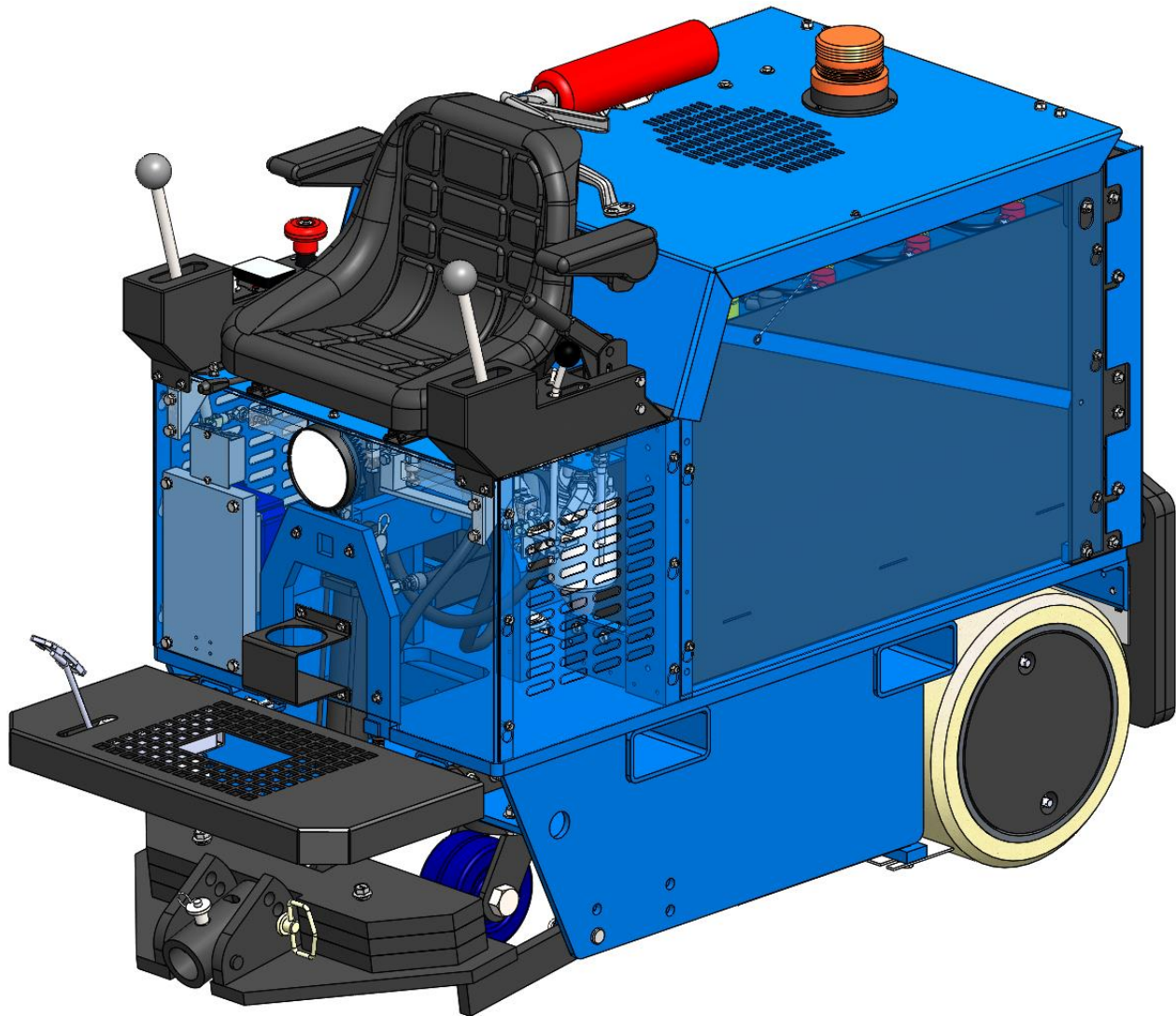
- Proper charging is essential for maximum battery life.
- In general, the proper charging rate is any rate that does not produce a battery temperature higher than 115°F (46°C) and/or does not produce excessive gassing.
- The T-3000EI Terminator® is supplied with a CEB 48V 50A charging unit, which has been sized for optimum charging time without causing excessive heat or gassing.
- Do not use a 12V battery charger on the T-3000EI Terminator® battery pack, this will cause damage to the charger as well as the battery pack

## 22. Maintenance Procedures

1. Grease Caster Wheel at three fittings every 30 hours.
2. Check Hydraulic Oil once a month. Change every 18 months with NUTO H 46 or ISO 46 or if fluid is overheated 200°F or higher.
3. Change hydraulic filter every 60 hours.
4. Clean Caster Wheel and Back Tires with wire wheel when necessary.
5. Look for leaks, find and tighten fittings. Do not over-tighten fittings.
6. Check all hoses and clamps once a week.
7. Inspect rear tires and lug bolts. Tighten lug bolts as needed to 70 ft.-lbs. torque.
8. Check wheel hub every 60 hours of operation. Wheel hub pack nut should be torqued from 310 to 350 ft.-lbs.

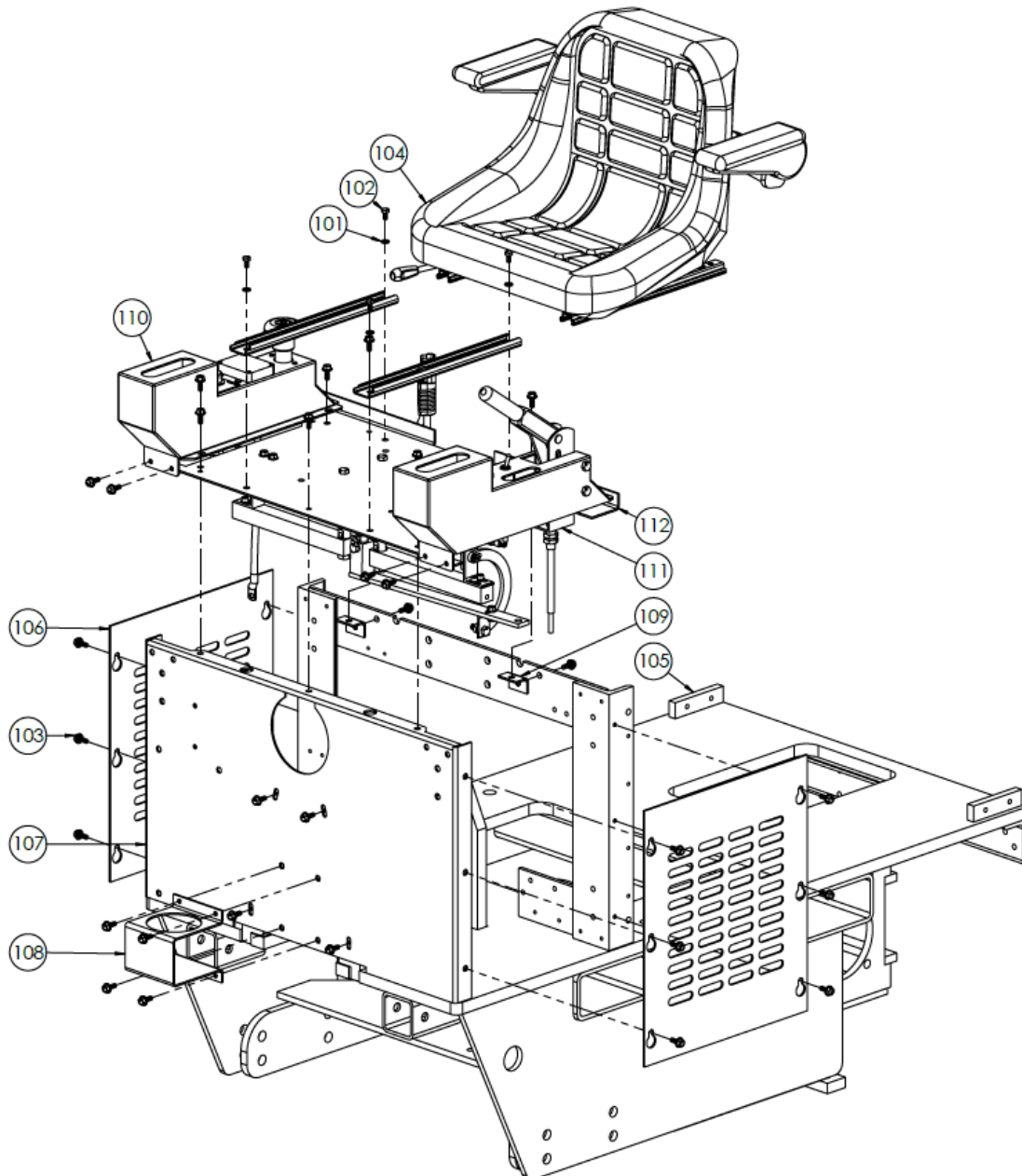
## 23. Parts List

# T-3000EI Terminator



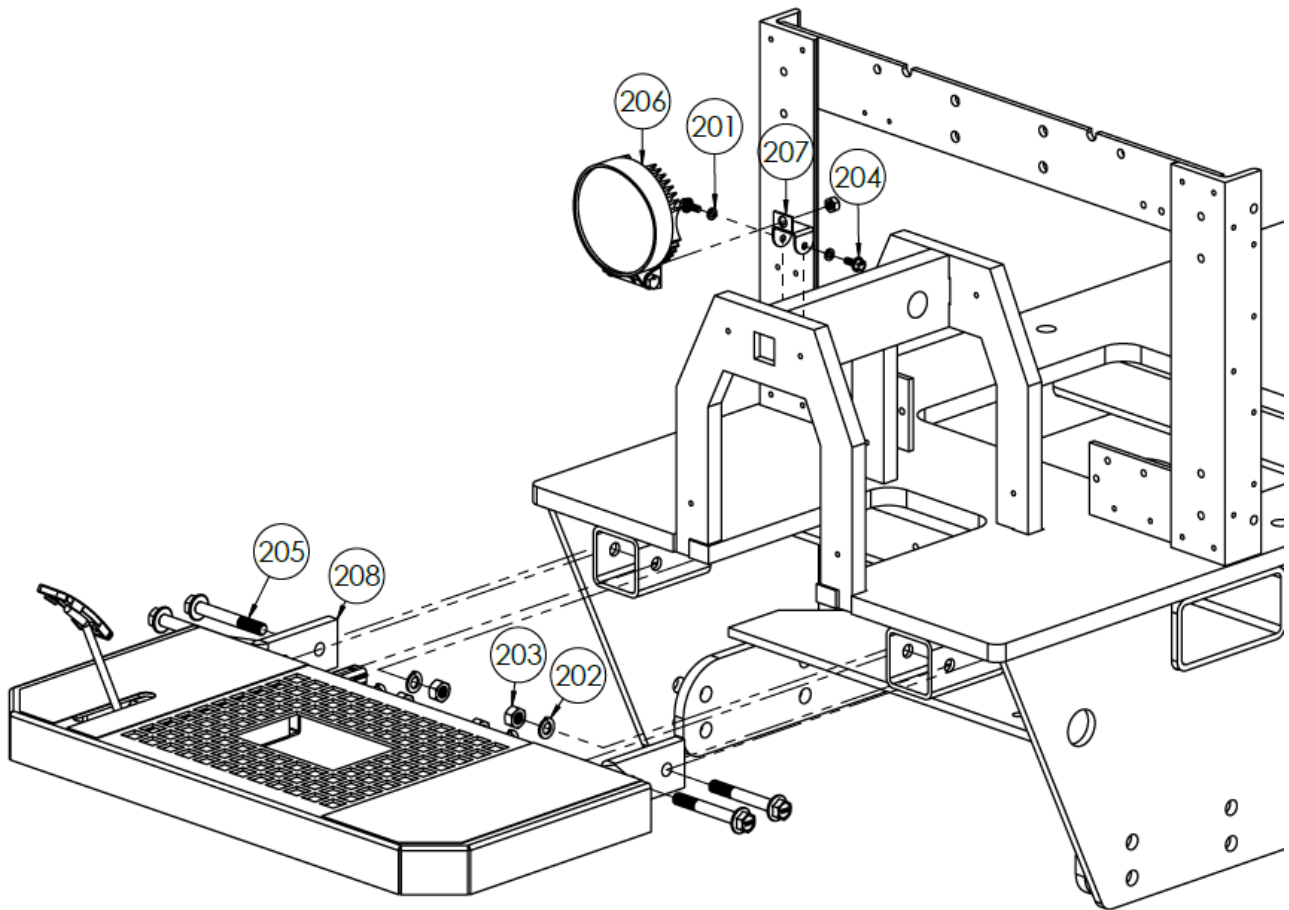
## Front Panels & Seat Breakdown

Item No.	Part Number	Description	Qty.
101	12-0018-06	Lock Washer, M6	4
102	12-0026	Hex Head Cap Screw, M6-1.0 x 12mm	4
103	12-0043-16	Serrated Flange Cap Screw, M6-1.0 x 16mm	35
104	13-0049	GT50 Seat	1
105	53-0363	Uni-Frame Assembly	1
106	53-0370	Uni-Frame Front Side Panel	2
107	53-0371	EI Front Panel	1
108	53-0376	Uni-Frame Cup Holder	1
109	53-0397	Uni-Frame Seat Mounting Bracket	2
110	96-0344	EI Right Console Assembly	1
111	96-0370	Uni-Frame Left Console Assembly	1
112	96-0390	EI Seat Platform Assembly	1



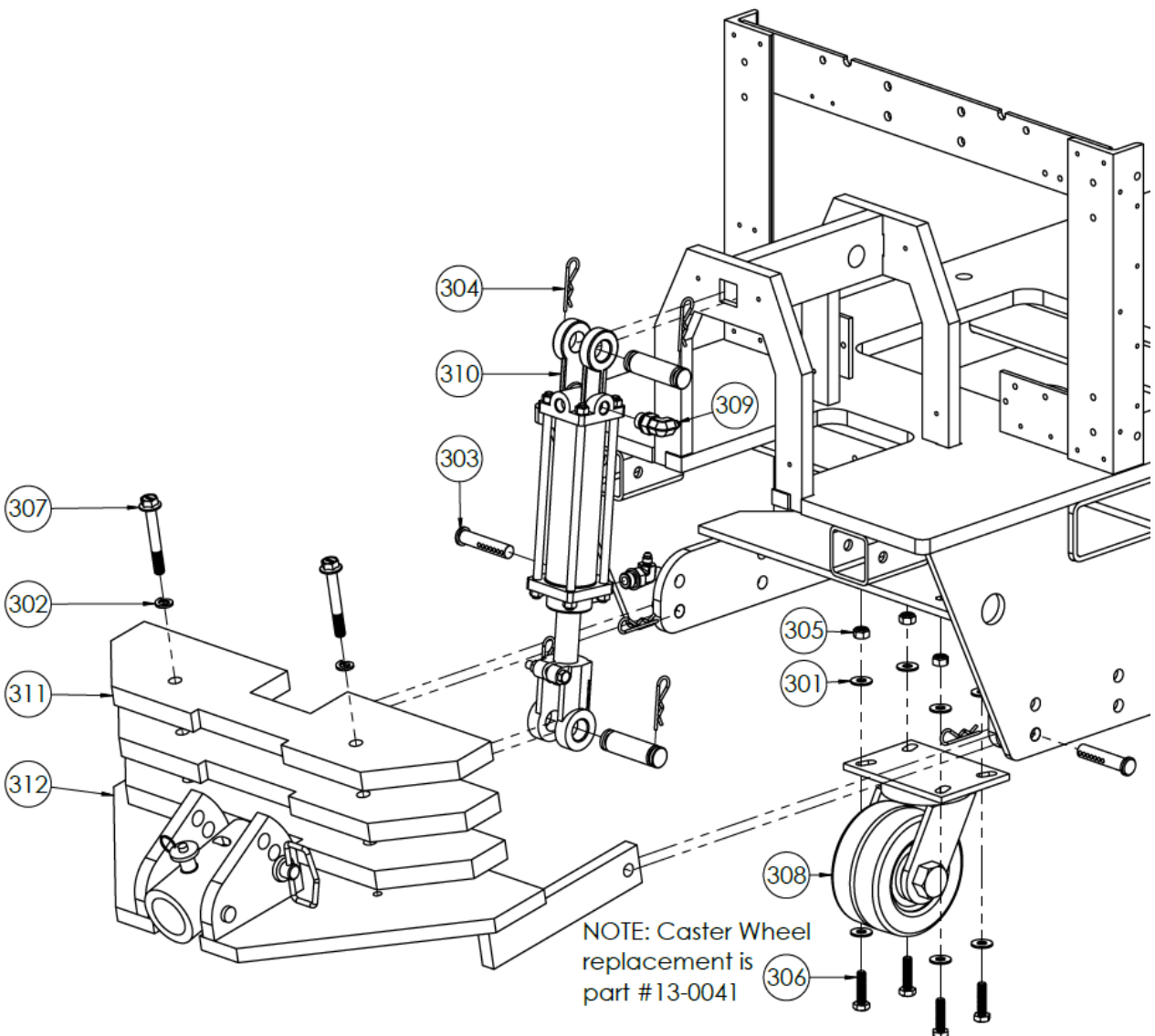
## Front Exterior (1) Breakdown

Item No.	Part Number	Description	Qty.
201	12-0018-06	Lock Washer, M6	2
202	12-0018-12	Lock Washer, M12	4
203	12-0027-12	Hex Nut, M12-1.75	4
204	12-0043-16	Serrated Flange Cap Screw, M6-1.0 x 16mm	2
205	12-0046	Flange Head Cap Screw, M12-1.75 x 90mm	4
206	22-0065	4.5" LED Headlight	1
207	53-0400	Headlight Mount	1
208	96-0353	Uni-Frame Foot Rest Assembly	1



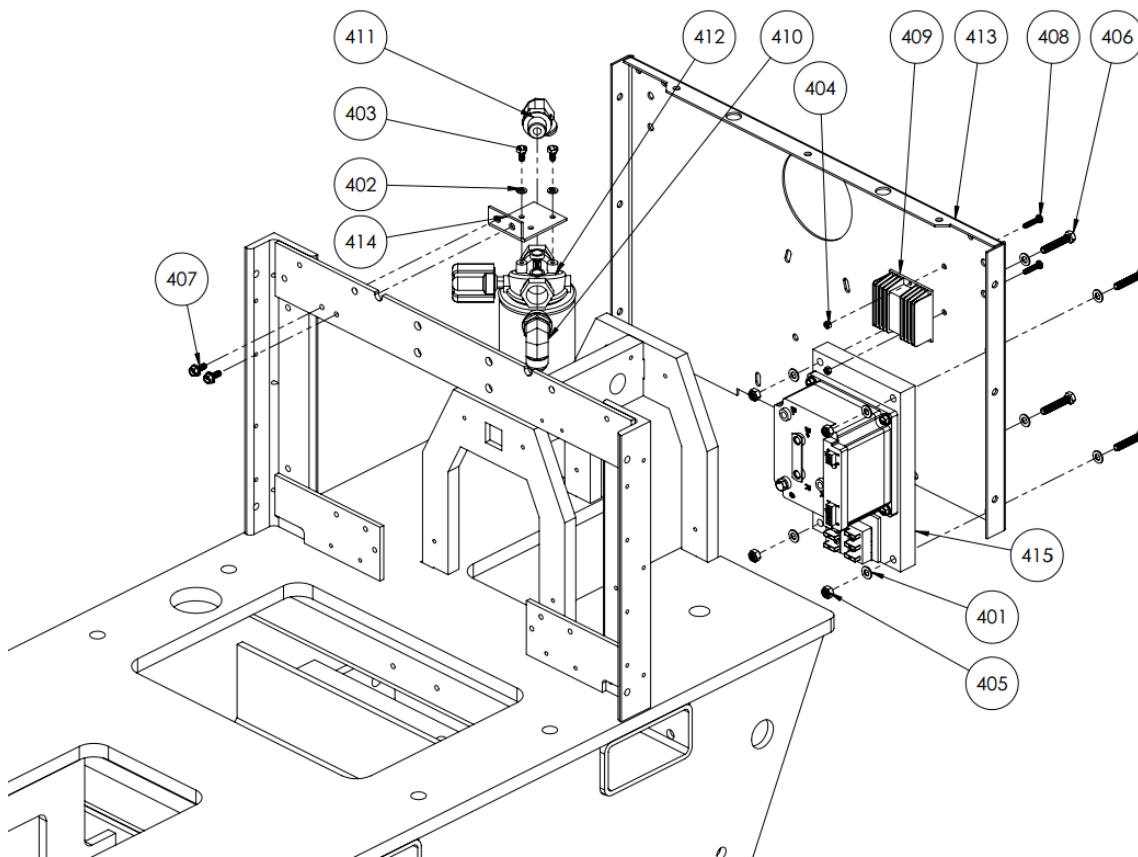
## Front Exterior (2) Breakdown

Item No.	Part Number	Description	Qty.
301	11-0035	USS Flat Washer, 3/8"	8
302	11-0041	Lock Washer, 1/2"	2
303	11-0045	Adjustable Clevis Pin, 5/8" x 3" L	2
304	11-0052	Hitch Pin	6
305	12-0021-10	Nyloc Nut, M10-1.5	4
306	12-0034-40	Hex Head Cap Screw, M10-1.5 x 40mm	4
307	12-0046	Flange Head Cap Screw, M12-1.75 x 90mm	2
308	13-0378	Caster Wheel Replacement	1
309	31-0043	Hydraulic Fitting, 90 deg 4 JIC – 8 SAE	2
310	34-0015	Front Hydraulic Ram (90 deg)	1
311	51-1070	Uni-Frame Pivoting Jaw Weight	3
312	96-0386	Pivoting Jaw Assembly	1



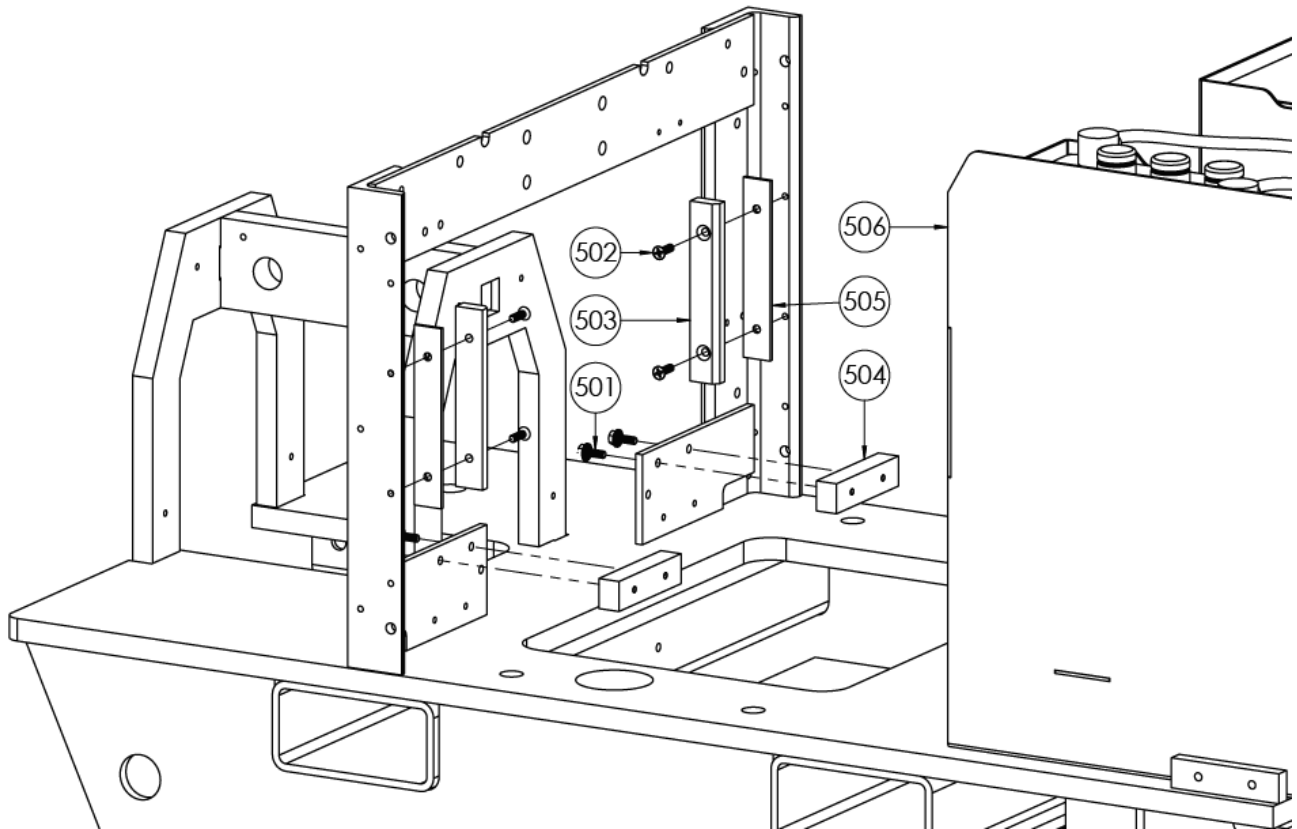
## Front Interior Breakdown

Item No.	Part Number	Description	Qty.
401	12-0035-08	Flat Washer, M8	8
402	11-0069	Lock Washer, 1/4 "	2
403	11-0092	Hex Head Cap Screw, 1/4"-20 x 1/2"	2
404	12-0021-05	Nyloc Nut, M5-0.8	4
405	12-0021-08	Nyloc Nut, M8-1.25	4
406	12-0032-45	Hex Head Cap Screw, M8-1.25 x 45mm	2
407	12-0043-16	Serrated Flange Cap Screw, M6-1.0 x 16mm	2
408	12-0047-25	Pan Head Philips Screw, M5-0.8 x 25mm	1
409	24-0199	48-12V DC Converter	1
410	31-0051	Hydraulic Fitting, 90 deg 12 JIC – 12 SAE	1
411	31-0052	Hydraulic Fitting, 90 deg 10 JIC – 12 SAE	1
412	35-0036	Hydraulic Oil Filter	1
413	53-0371	EI Front Panel	1
414	53-0398	Filter Bracket	1
415	96-0345	Power Control Module	1



## Battery Area Breakdown

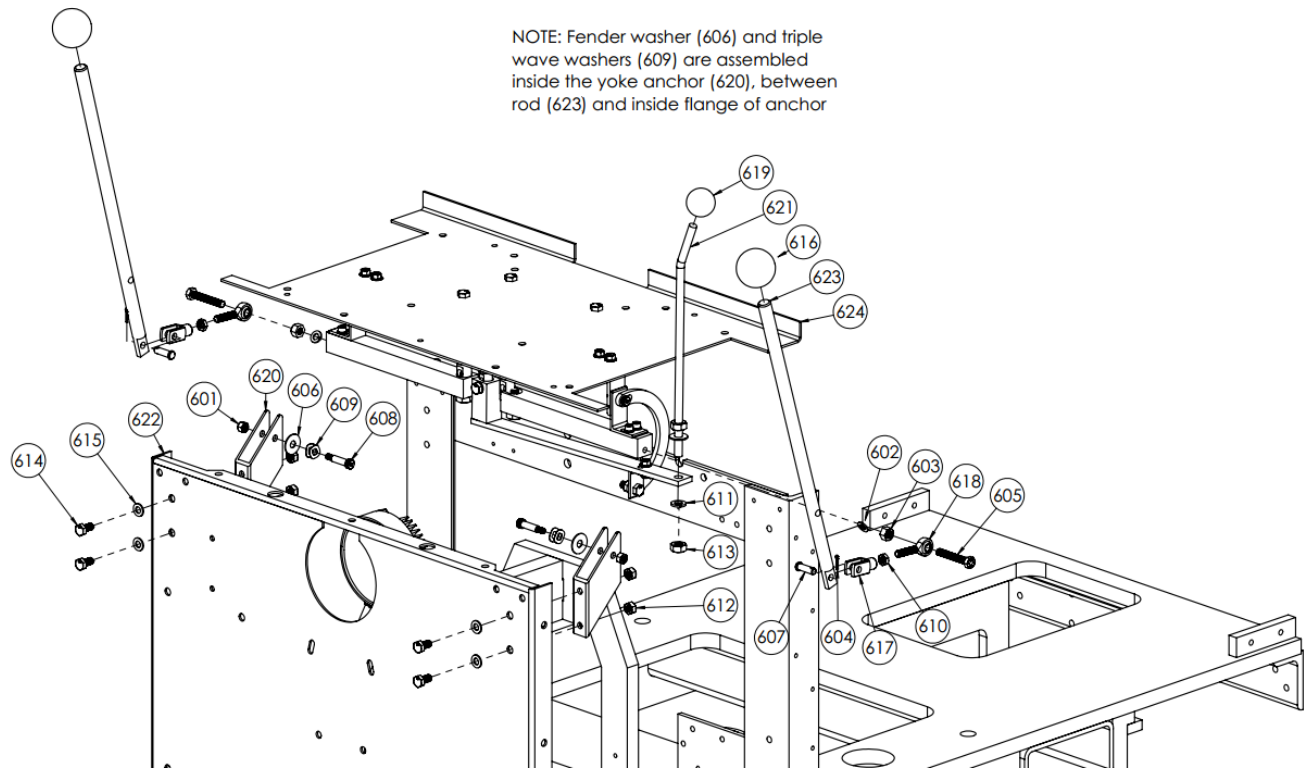
Item No.	Part Number	Description	Qty.
501	12-0043-16	Serrated Flange Cap Screw, M6-1.0 x 16mm	4
502	12-0045-20	Flat Head Phillips Screw, M6-1.0 x 20mm	4
503	51-1050	Uni-Frame Battery Guide, Front	2
504	53-0399	Uni-Frame Battery Stop	2
505	53-0405	Uni-Frame Battery Guide Spacer, Front	2
506	71-0014	T3000EI Battery Pack, Non-AGM	1



## Linkages Breakdown

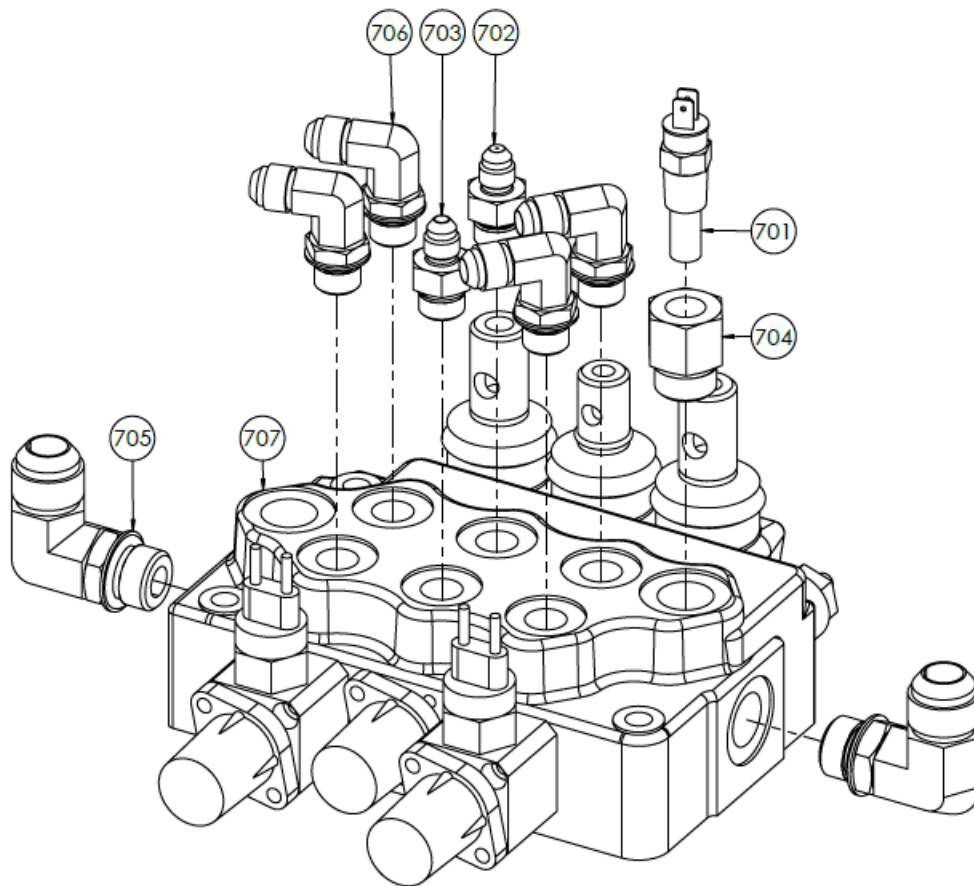
Item No.	Part Number	Description	Qty.
601	11-0024	Nyloc Nut, 1/4"-20	2
602	11-0040	Lock Washer, 5/16"	2
603	11-0067	Hex Nut, 5/16"-18	2
604	11-0073	Cotter Pin	2
605	11-0175	Hex Head Cap Screw, 5/16"-18 x 3"	2
606	11-0232	Fender Washer, 5/16"	2
607	11-0277	Clevis Pin, 5/16" x 1"	2
608	11-0294-16	Socket Head Shoulder Screw, 5/16" x 1", 1/4"-20	2
609	11-0303	Triple Wave Washer, 1/4" – 5/16"	4
610	11-0352	Hex Jam Nut, 5/16"-24	2
611	12-0018-10	Lock Washer, M10	1
612	12-0021-08	Nyloc Nut, M8-1.25	4
613	12-0027-10	Hex Nut, M10-1.5	2
614	12-0032-25	Hex Head Cap Screw, M8-1.25 x 25mm	4
615	12-0035-08	Flat Washer, M8	4
616	13-0300	Knob, SØ 1 7/8", 5/8"-11	2
617	13-0380	Linkage Yoke End	2
618	13-0381	Linkage Rod End	2
619	13-0383	Knob, SØ 35mm, M10-1.5	1
620	51-0699	Yoke Anchor	2
621	53-0409	Uni-Frame Jaw Joystick Rod	1
622	53-0371	EI Front Panel	1
623	53-0389	Uni-Frame Joy Stick Rod	2
624	96-0390	EI Seat Platform Assembly	1





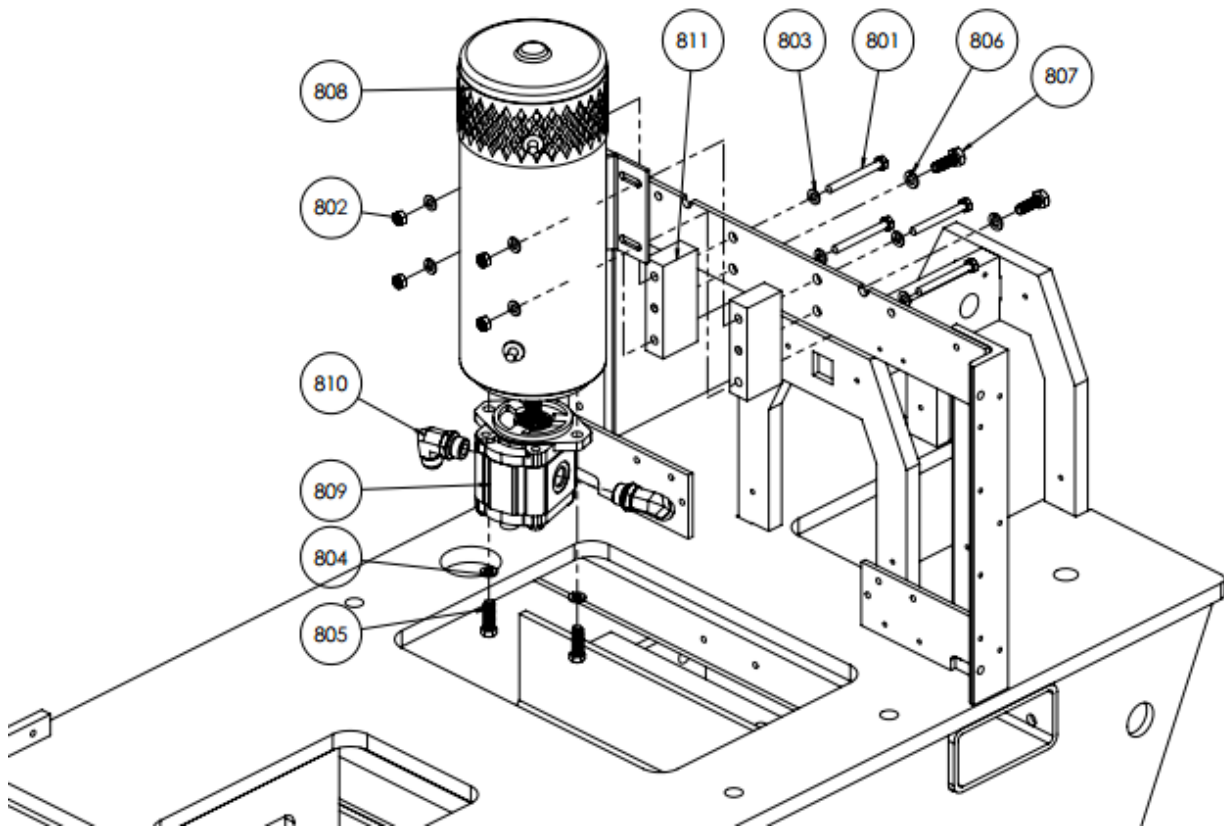
## Valve Block Breakdown

Item No.	Part Number	Description	Qty.
701	22-0007	Oil Temperature Switch	1
702	31-0022	Hydraulic Fitting, Flow Reducer 4 JIC – 6 SAE	1
703	31-0024	Hydraulic Fitting, 4 JIC – 6 SAE	1
704	31-0045	Hydraulic Fitting, 8 SAE – 1/4" NPTF	1
705	31-0048	Hydraulic Fitting, 90 deg 10 JIC – 8 SAE	2
706	31-0056	Hydraulic Fitting, 90 deg 6 JIC – 6 SAE	4
707	35-0050	3-Section Hydraulic Control Valve	1



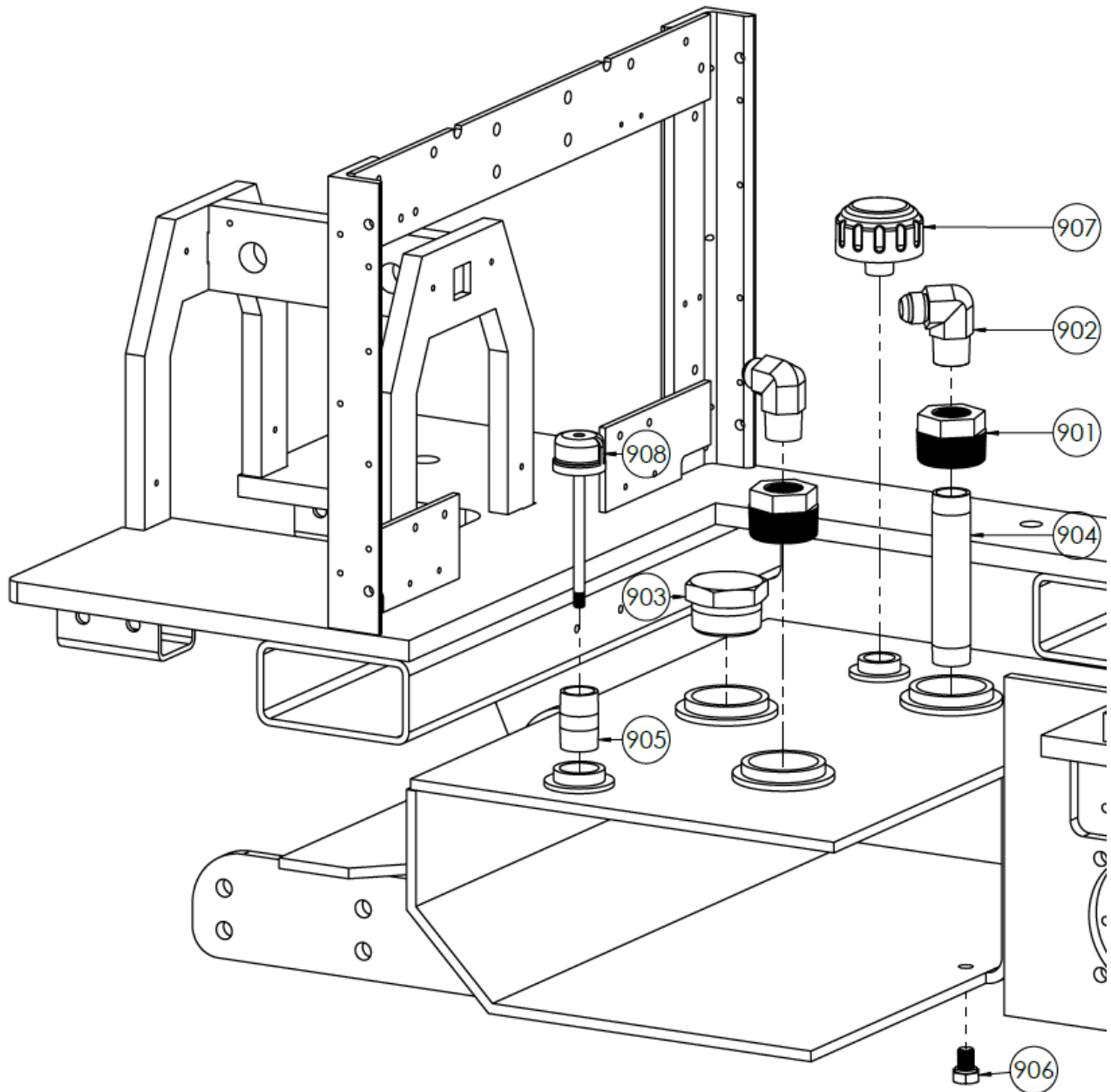
## Motor & Pump Breakdown

Item No.	Part Number	Description	Qty.
801	11-0005	Hex Head Cap Screw, 5/16"-18 x 3"	4
802	11-0025	Nyloc Nut, 5/16"-18	4
803	11-0034	USS Flat Washer, 5/16"	8
804	11-0129	Lock Washer, 3/8"	2
805	11-0295-20	Hex Head Cap Screw, 3/8"-24 x 1 1/4"	2
806	12-0018-10	Lock Washer, M10	2
807	12-0024	Hex Head Cap Screw, M10-1.5 x 30mm	2
808	23-0002	48V Electric Motor	1
809	31-0020	EI Gear Pump	1
810	31-0038	Hydraulic Fitting, 90 deg 10 JIC – 10 SAE	2
811	53-0396	EI Motor Mount	2



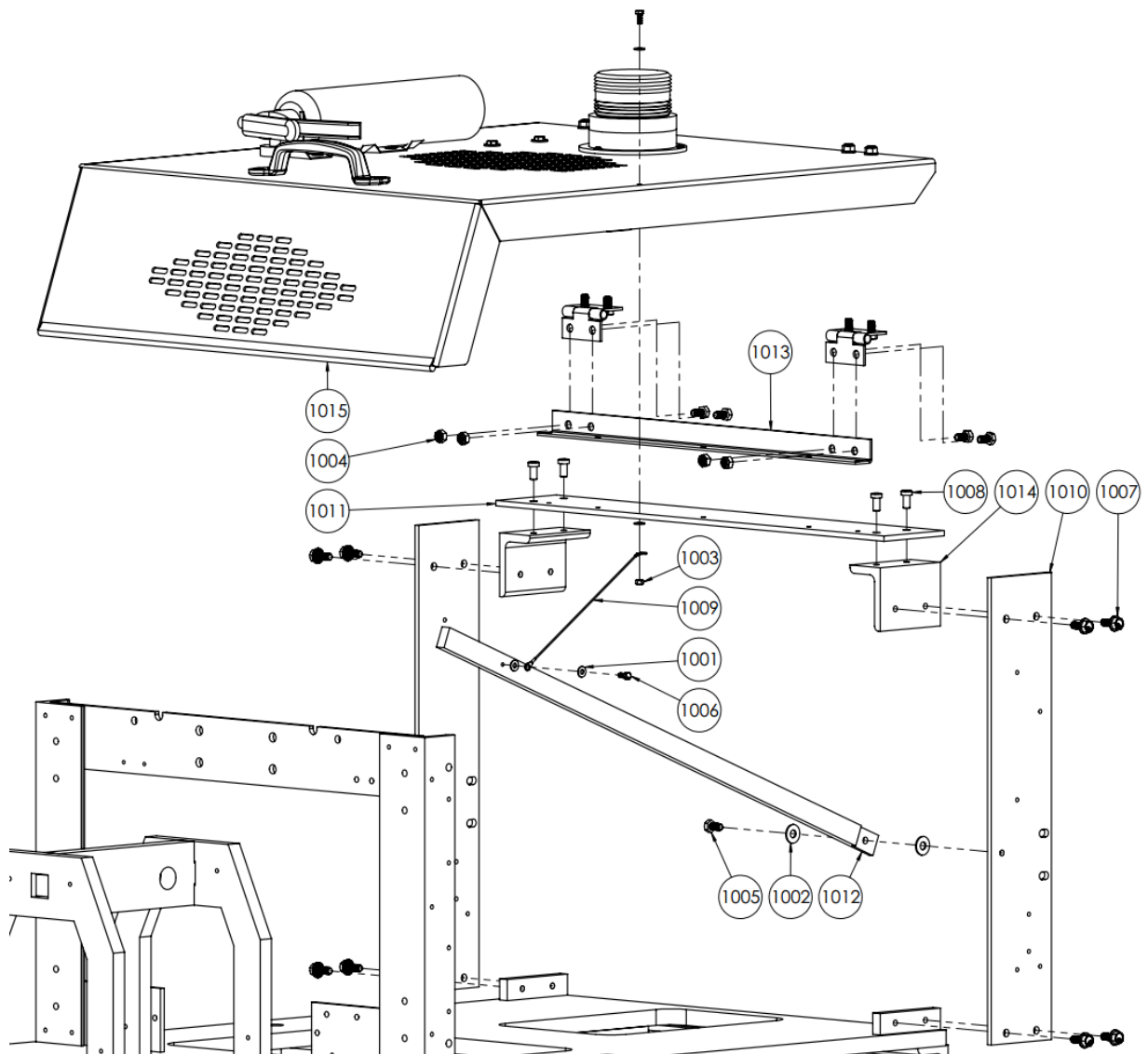
## Tank Fittings Breakdown

Item No.	Part Number	Description	Qty.
901	31-0124	Threaded Tank Fitting, 2" Male, 1" x 1" Female	2
902	31-0128	Hydraulic Fitting, 90 deg 12 JIC – 1" NPTF Male	2
903	31-0252	Hex Head Pipe Plug, 2" NPT	1
904	35-0004	Pipe Nipple, 1" NPT x 6" L	1
905	35-0047	Pipe Nipple, 1" NPT x 2" L	1
906	35-0051	Drain Plug, M14-1.5	1
907	35-0052	Hydraulic Breather Cap	1
908	53-0277	Dip Stick Unit	1



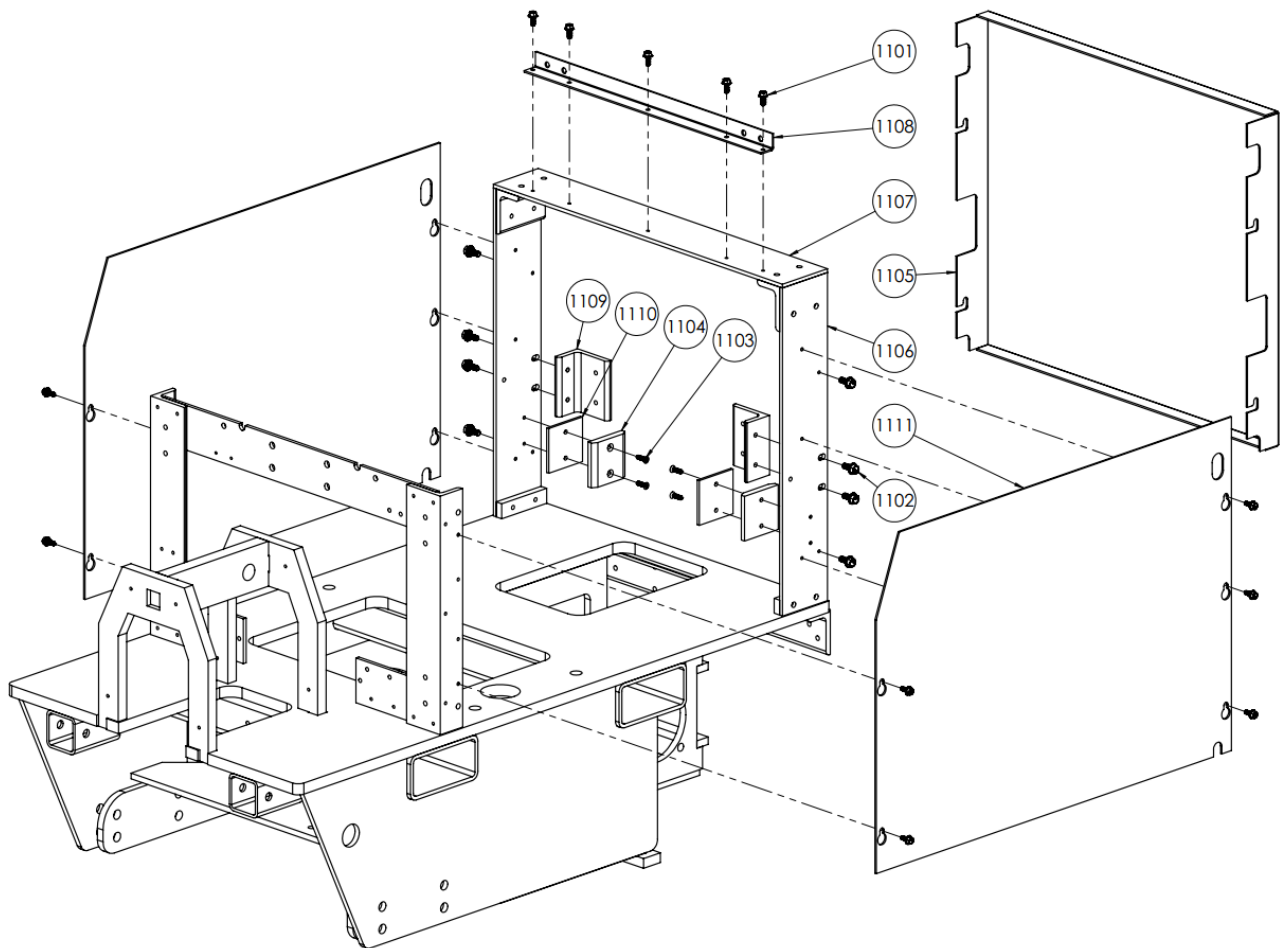
## Hood Arm Breakdown

Item No.	Part Number	Description	Qty.
1001	11-0030	SAE Flat Washer, #10	4
1002	11-0034	USS Flat Washer, 5/16"	2
1003	12-0021-05	Nyloc Nut, M5-0.8	1
1004	12-0021-08	Nyloc Nut, M8-1.25	4
1005	12-0032-16	Hex Head Cap Screw, M8-1.25 x 16mm	5
1006	12-0041-12	Hex Head Cap Screw, M5-0.8 x 12mm	2
1007	12-0040-20	Serrated Flange Cap Screw, M8-1.25 x 20mm	8
1008	12-0050-16	Low Socket Cap Screw, M8-1.25 x 16mm	4
1009	13-0387	12" Lanyard	1
1010	53-0391	Uni-Frame Rear Side Support	2
1011	53-0392	Uni-Frame Rear Cross Support	1
1012	53-0393	Uni-Frame Hood Support	1
1013	53-0394	Uni-Frame Top Cover Mounting Bracket	1
1014	53-0395	Uni-Frame Rear Support Bracket	2
1015	96-0343	EI Top Cover Assembly	1



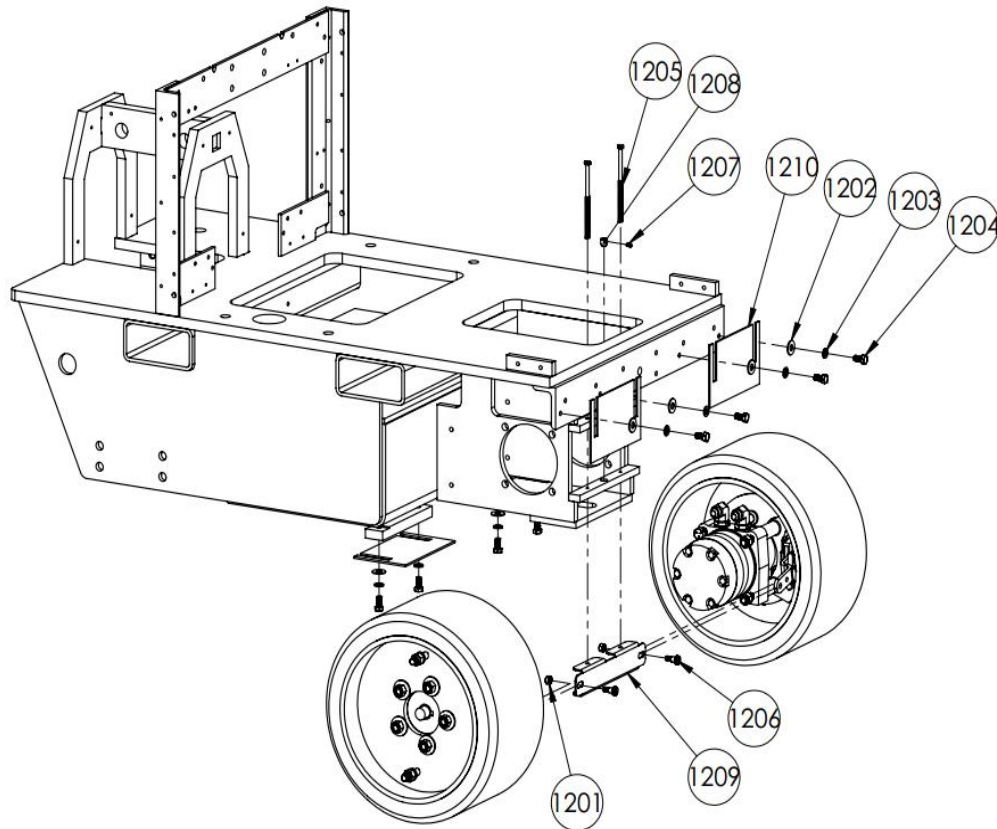
## Rear Panels & Support Breakdown

Item No.	Part Number	Description	Qty.
1101	12-0043-16	Serrated Flange Cap Screw, M6-1.0 x 16mm	15
1102	12-0044-20	Serrated Flange Cap Screw, M8-1.25 x 20mm	8
1103	12-0045-20	Flat Head Phillips Screw, M6-1.0 x 20mm	4
1104	51-1048	Uni-Frame Battery Guide, Rear	2
1105	53-0373	Uni-Frame Back Panel	1
1106	53-0391	Uni-Frame Rear Side Support	2
1107	53-0392	Uni-Frame Rear Cross Support	1
1108	53-0394	Uni-Frame Top Cover Mounting Bracket	1
1109	53-0395	Uni-Frame Rear Support Bracket	4
1110	53-0406	Uni-Frame Battery Guide Spacer, Rear	2
1111	53-0415	Uni-Frame Side Panel	1



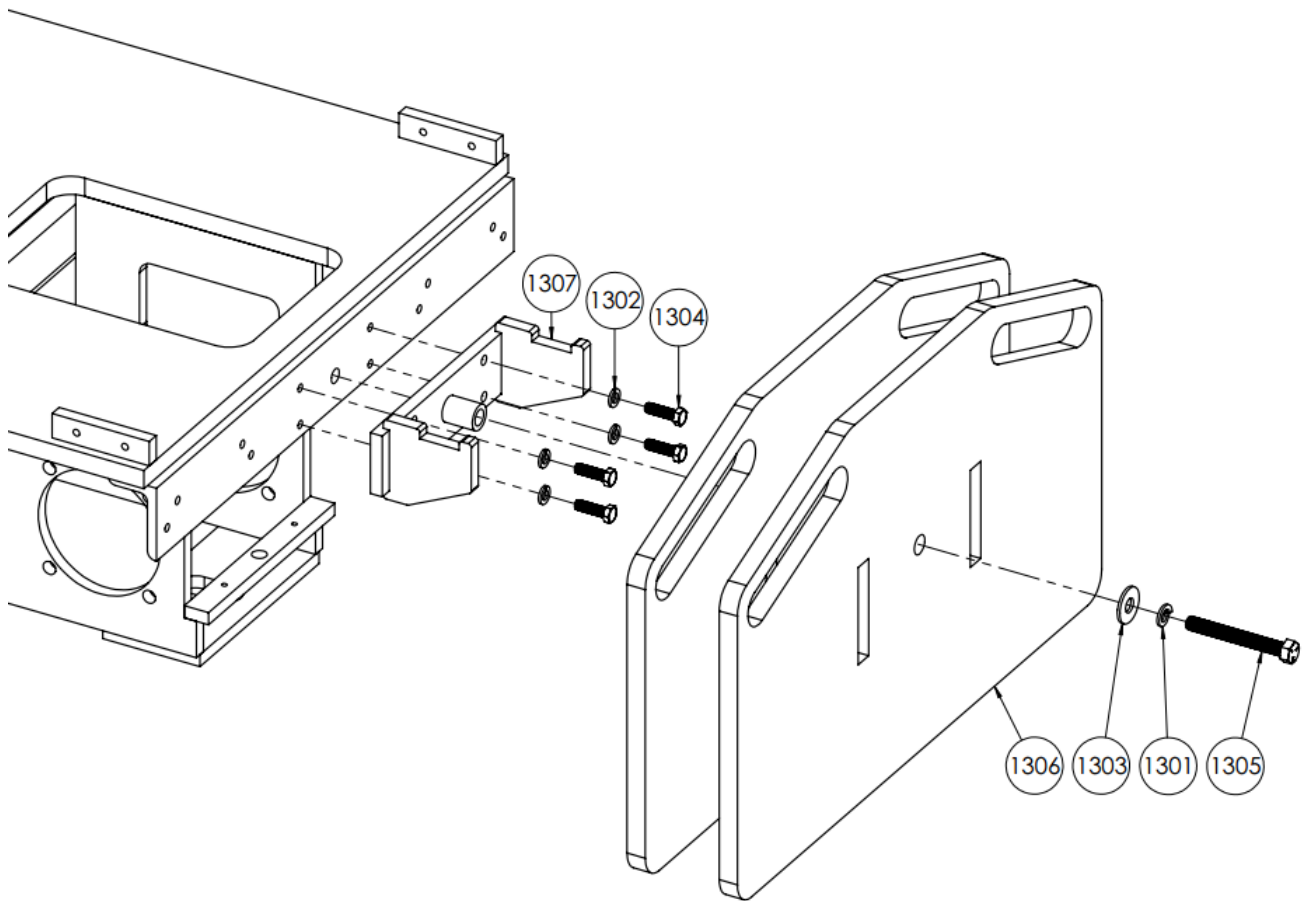
## Rear Wheels Breakdown

Item No.	Part Number	Description	Qty.
1201	11-0025	Nyloc Nut, 5/16"-18	2
1202	11-0035	USS Flat Washer, 3/8"	8
1203	11-0129	Lock Washer, 3/8"	8
1204	11-0130	Hex Head Cap Screw, 3/8"-16 x 3/4"	8
1205	11-0279-88	Hex Head Cap Screw, 1/4"-20 x 5 1/2"	2
1206	11-0287	Socket Head Shoulder Screw, 3/8" x 3/8", 5/16"-18	2
1207	11-0353	Set Screw, #10-32 x 3/8"	1
1208	51-0513	Cable Clamp	1
1209	53-0134	Brake Actuator	1
1210	81-0091	Wheel Scraper Blade, 7.5" x 4.5"	4



## Rear Weights Breakdown

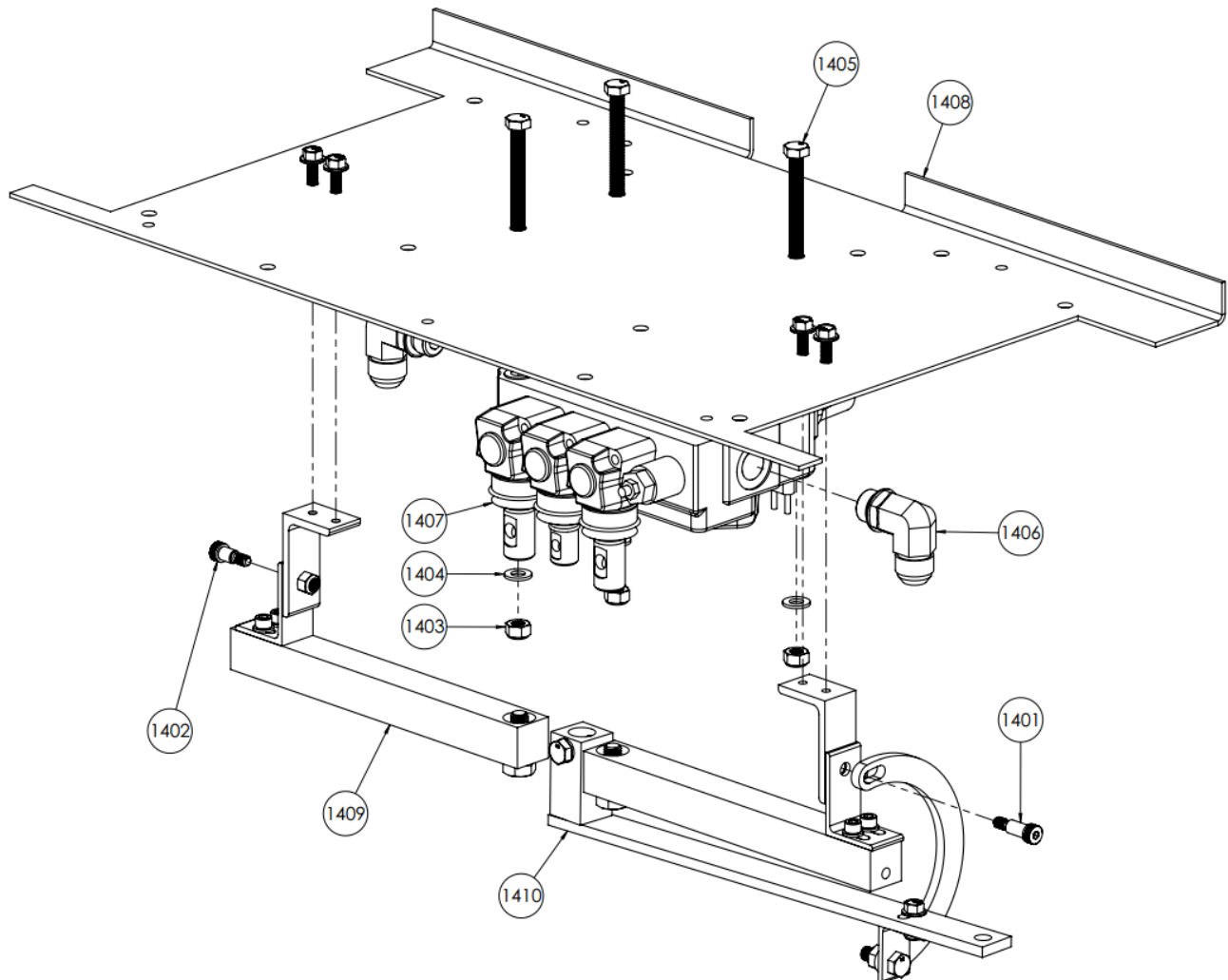
Item No.	Part Number	Description	Qty.
1301	11-0041	Lock Washer, 1/2"	1
1302	11-0129	Lock Washer, 3/8"	4
1303	11-0230	USS Flat Washer, 1/2"	1
1304	11-0290	Hex Head Cap Screw, 3/8"-16 x 1 1/4"	4
1305	11-0298	Hex Head Cap Screw, 1/2"-13 x 4"	1
1306	53-0119	Rear Weight (75 lbs)	2
1307	53-0344	Rear Weight Holder	1





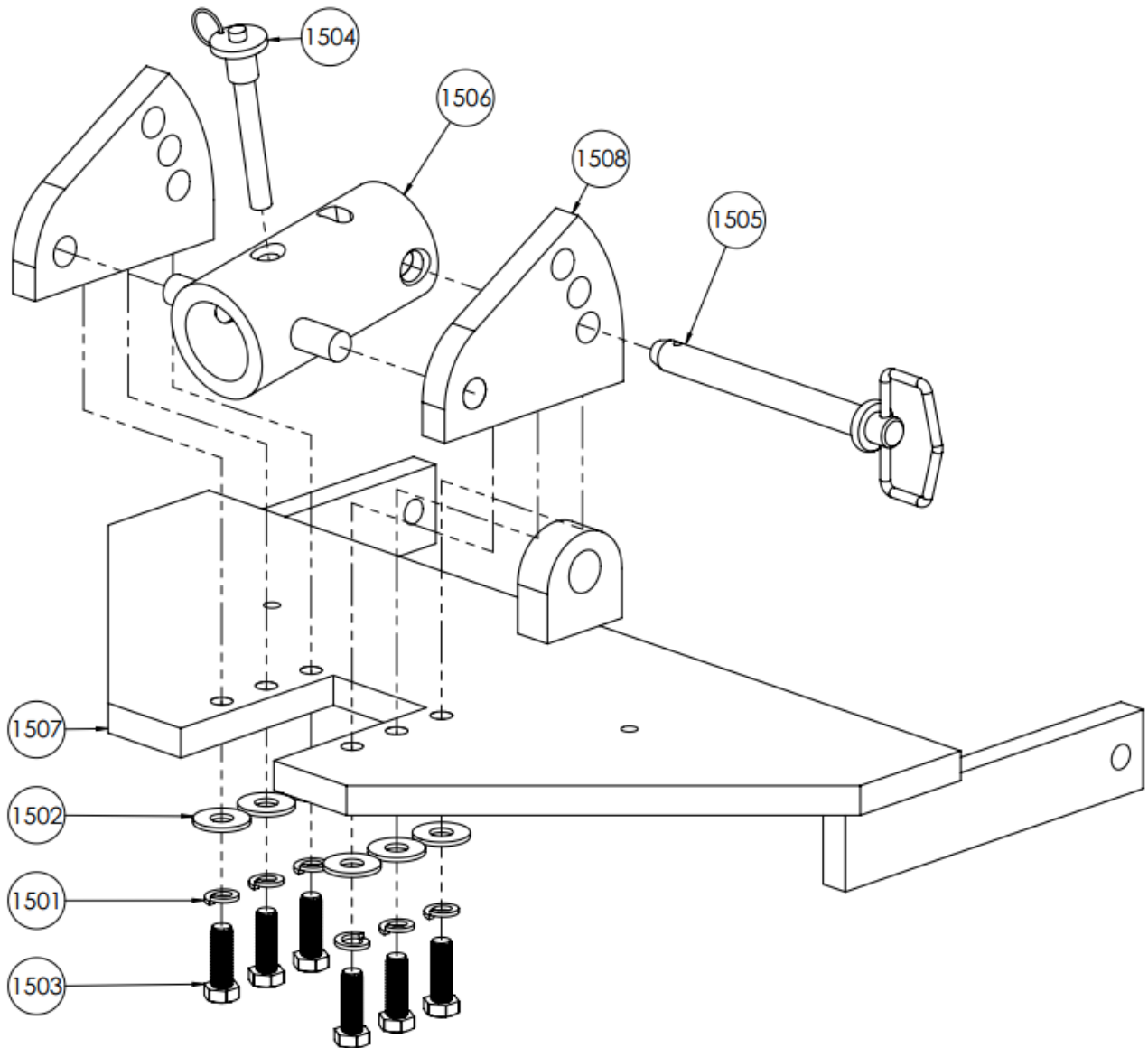
## EI Seat Platform Assembly - Part # 96-0390

Item No.	Part Number	Description	Qty.
1401	11-0304	Socket Head Shoulder Screw, 5/16" x 5/8", 1/4"-20	1
1402	11-0306	Socket Head Shoulder Screw, 5/16" x 3/8", 1/4"-20	1
1403	12-0021-08	Nyloc Nut, M8-1.25	3
1404	12-0035-08	Flat Washer, M8	3
1405	12-0049-65	Hex Head Cap Screw, M8-1.25 x 65mm	3
1406	31-0048	Hydraulic Fitting, 90 deg 10 JIC – 8 SAE	2
1407	35-0050	3-Section Hydraulic Control Valve	1
1408	53-0372	EI Seat Platform	1
1409	96-0354	Uni-Frame Joy Stick Linkage	2
1410	96-0355	Uni-Frame Jaw Linkage	1



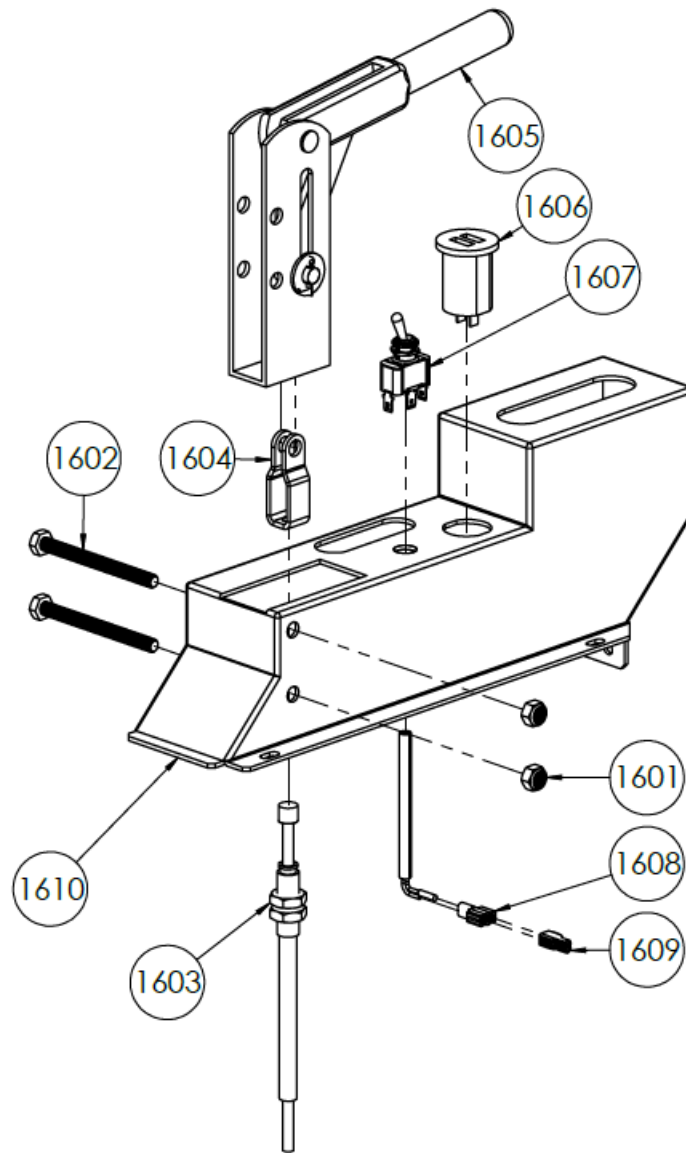
## Pivoting Jaw Assembly - Part # 96-0386

Item No.	Part Number	Description	Qty.
1501	11-0041	Lock Washer, 1/2"	6
1502	11-0230	USS Flat Washer, 1/2"	6
1503	11-0296	Hex Head Cap Screw, 1/2"-13 x 1 1/2"	6
1504	13-0035	Quick Release Pin, 1/2" x 3"	1
1505	13-0386	Pivoting Jaw Position Pin	1
1506	53-0407	Uni-Frame Receiving Tube	1
1507	53-0411	Uni-Frame Pivoting Jaw Weld Assembly	1
1508	53-0428	Uni-Frame Jaw Pivot Plate	2



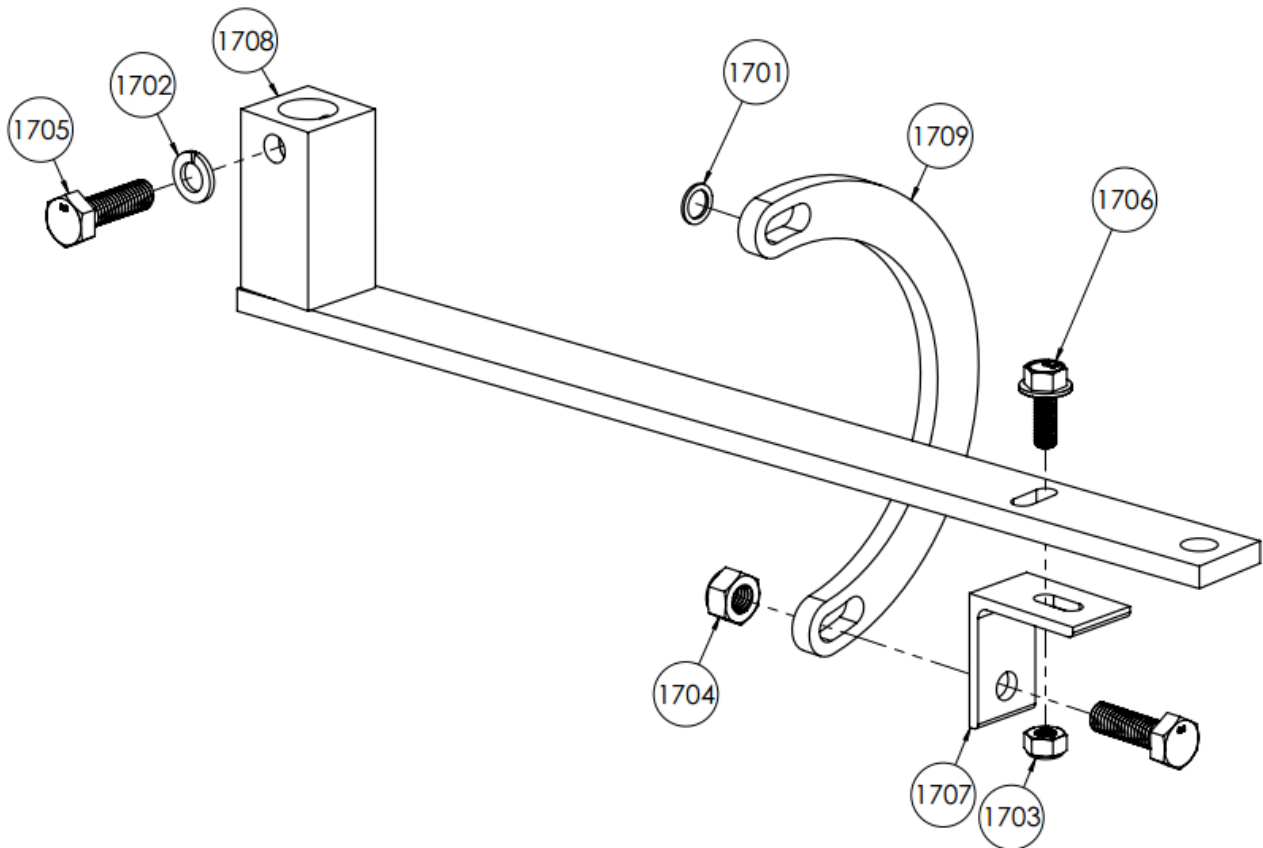
## Uni-Frame Left Console Assembly - Part # 96-0370

Item No.	Part Number	Description	Qty.
1601	12-0021-08	Nyloc Nut, M8-1.25	2
1602	12-0049-90	Hex Head Cap Screw, M8-1.25 x 90mm	2
1603	13-0023	Brake Cable	1
1604	13-0027	Brake Cable Clevis	1
1605	13-0050	Brake Lever	1
1606	23-0152	USB Charging Port	1
1607	24-0200	Toggle Switch	1
1608	25-0034	Spade Connector, Female, 16-14ga	2
1609	25-0051	Spade Connector, Male, 16-14ga	2
1610	53-0379	Uni-Frame Left Console	1



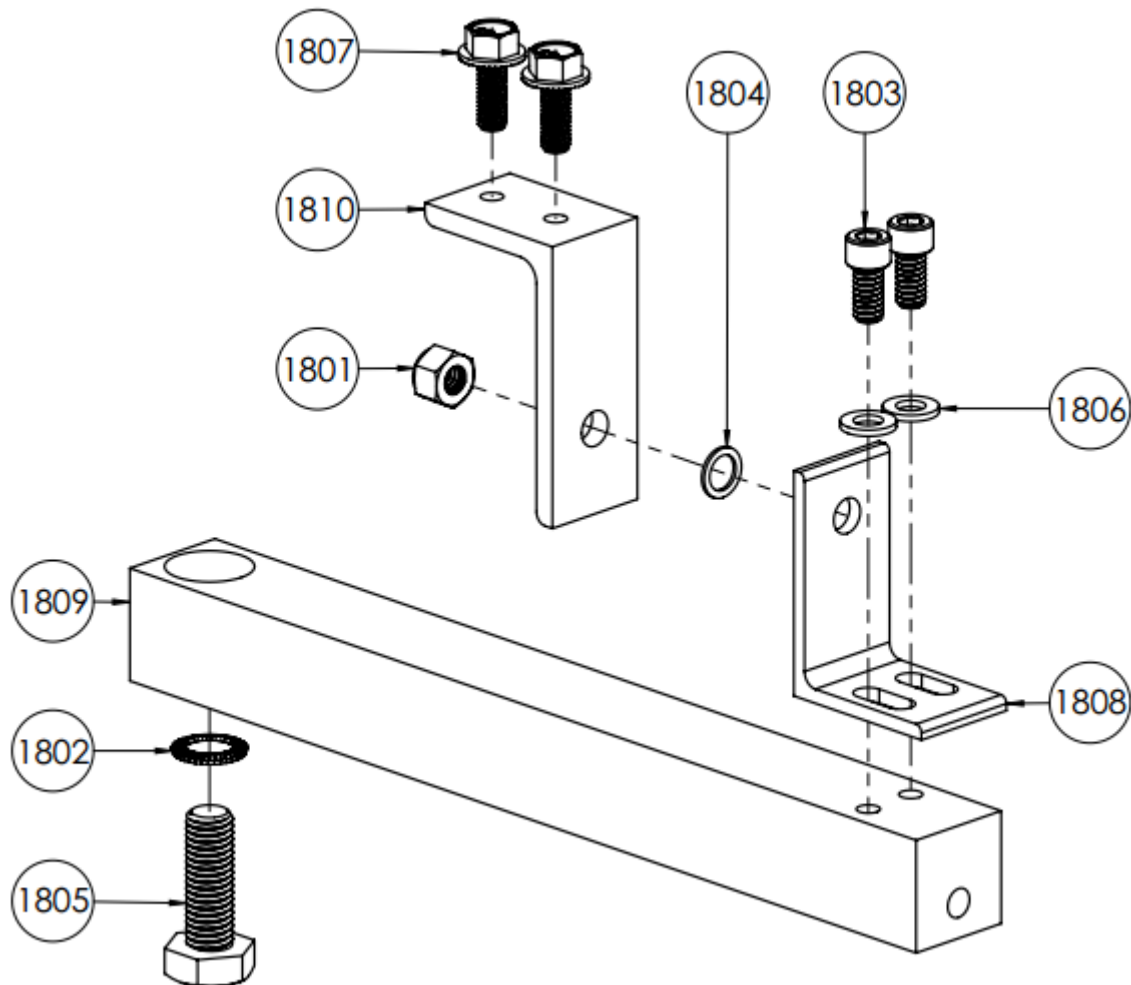
## Uni-Frame Jaw Linkage - Part # 96-0355

Item No.	Part Number	Description	Qty.
1701	11-0307	Shim Washer, 5/16" ID x 7/16" OD x 0.32"	1
1702	12-0018-08	Lock Washer, M8	1
1703	12-0021-06	Nyloc Nut, M6-1.0	1
1704	12-0021-08	Nyloc Nut, M8-1.25	1
1705	12-0032-25	Hex Head Cap Screw, M8-1.25 x 25mm	2
1706	12-0043-16	Serrated Flange Cap Screw, M6-1.0 x 16mm	1
1707	51-0708	Uni-Frame Jaw Linkage Connector Hinge	1
1708	53-0367	Uni-Frame Jaw Linkage Base	1
1709	53-0390	Uni-Frame Jaw Linkage Connector	1



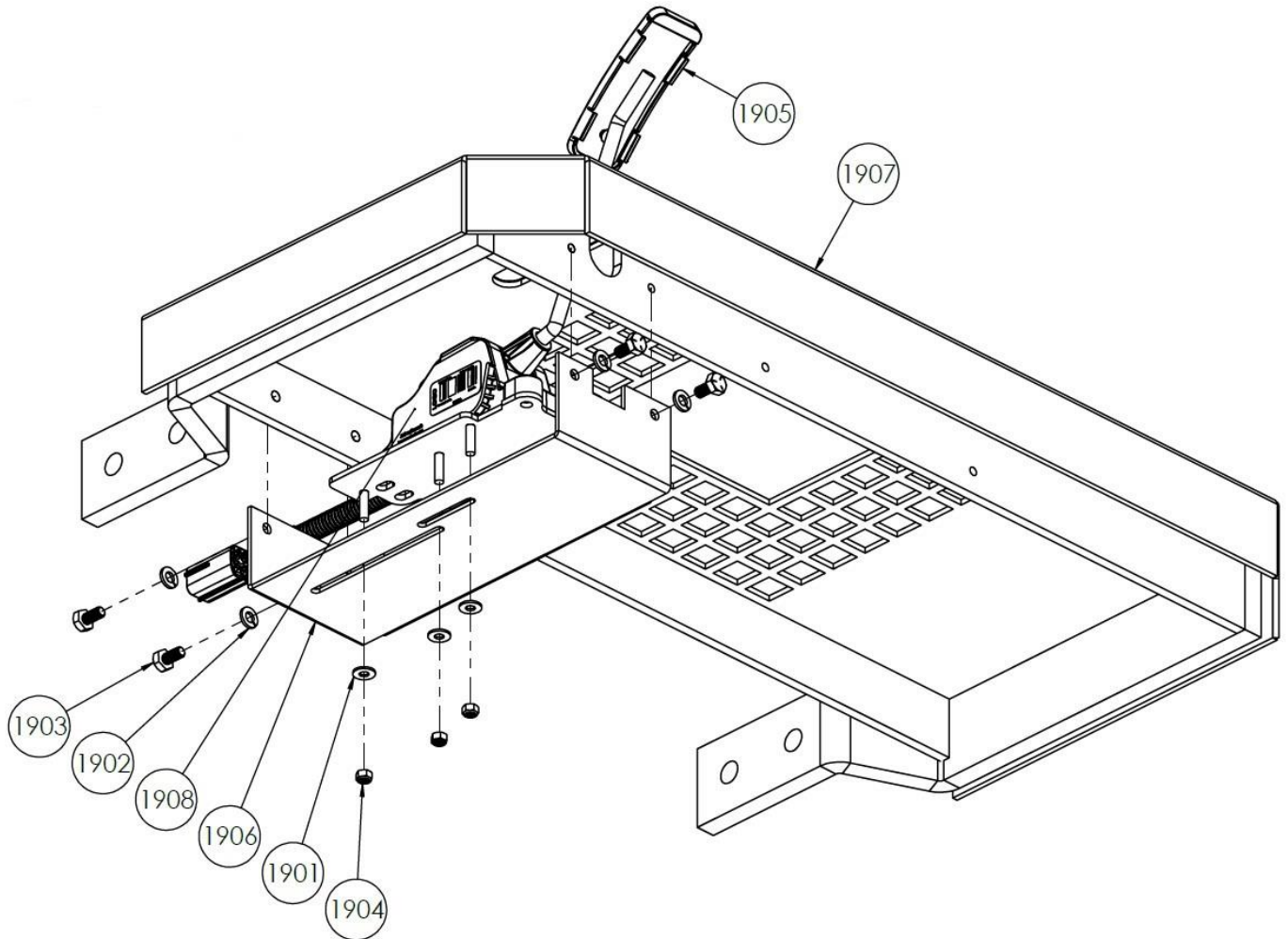
## Uni-Frame Joy Stick Linkage - Part # 96-0354

Item No.	Part Number	Description	Qty.
1801	11-0024	Nyloc Nut, 1/4"-20	1
1802	11-0162	Belleville Washer, 3/8"	1
1803	11-0164	Socket Head Cap Screw, 1/4"-20 x 1/2"	2
1804	11-0307	Shim Washer, 5/16" ID x 7/16" OD x 0.32"	1
1805	12-0024	Hex Head Cap Screw, M10-1.5 x 30mm	1
1806	12-0035-06	Flat Washer, M6	2
1807	12-0043-16	Serrated Flange Cap Screw, M6-1.0 x 16mm	2
1808	51-0704	Uni-Frame Joy Stick Linkage Hinge	1
1809	51-1037	Uni-Frame Joy Stick Linkage Seat Bracket	1
1810	53-0401	Uni-Frame Joy Stick Linkage Base	1



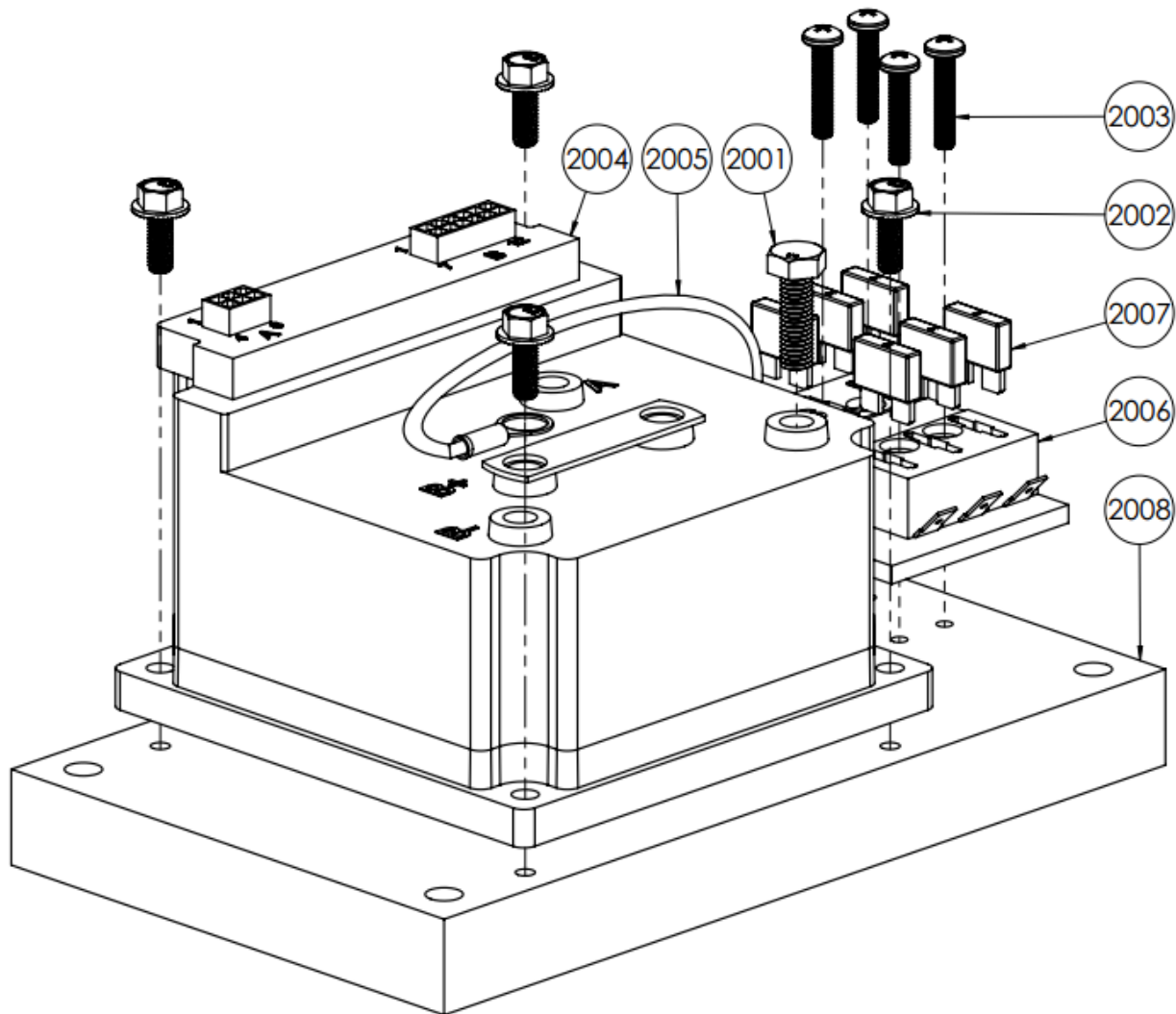
## EI Foot Rest Assembly - Part # 96-0353

Item No.	Part Number	Description	Qty.
1901	11-0030	SAE Flat Washer, #10	3
1902	11-0069	Lock Washer, 1/4"	4
1903	11-0092	Hex Head Cap Screw, 1/4"-20 x 1/2"	4
1904	12-0021-05	Nyloc Nut, M5-0.8	3
1905	23-0125	Foot Pedal	1
1906	53-0264	Foot Pedal Bracket	1
1907	53-0366	Foot Rest Support Frame	1
1908	23-0114	Foot Pedal Power Supply	1



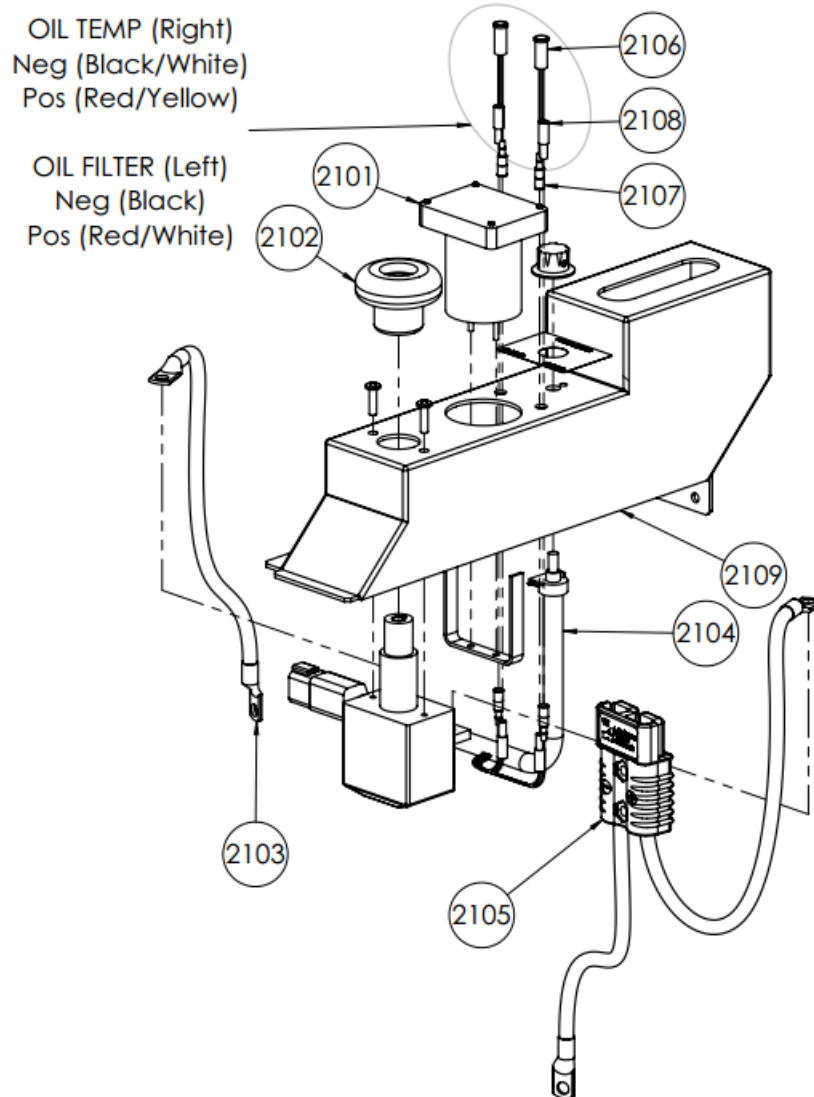
## Electric Control Module - Part # 96-0345

Item No.	Part Number	Description	Qty.
2001	12-0032-25	Hex Head Cap Screw, M8-1.25 x 25mm	1
2002	12-0043-16	Serrated Flange Cap Screw, M6-1.0 x 16mm	4
2003	12-0047-25	Pan Head Phillips Screw, M5-0.8 x 25mm	4
2004	23-0032	Power Control Module	1
2005	24-0166	Wire Assembly, Fuse Block to Power Pack	1
2006	25-0032	Fuse Block, 6-Gang ATO	1
2007	25-0053	Blade Fuse, 5A	6
2008	51-1022	Heat Sink Plate	1



## EI Right Console Assembly – Part # 96-0344

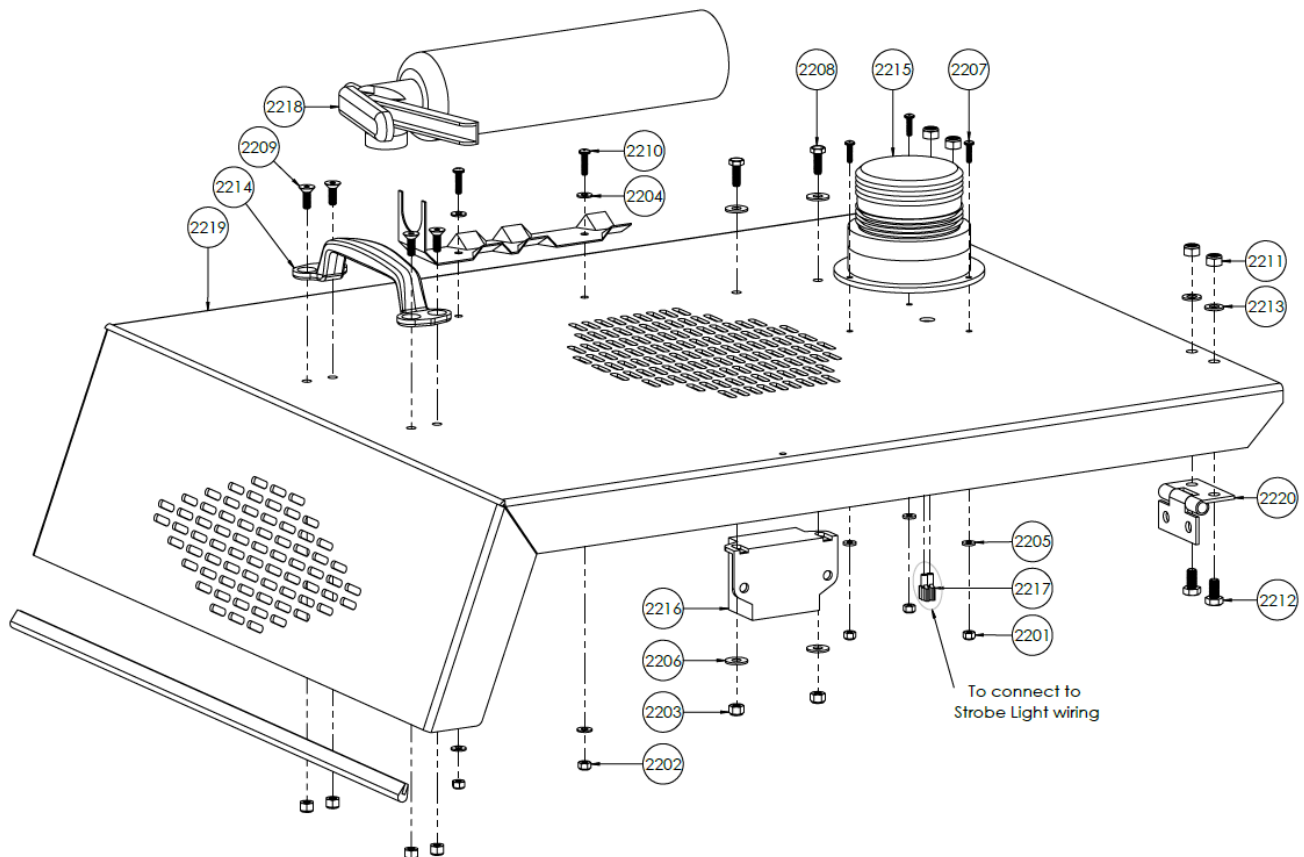
Item No.	Part Number	Description	Qty.
2101	23-0030-1	S.T.D. Display	1
2102	23-0031	Manual Disconnect Switch	1
2103	24-0137	Wire Assembly, Power Switch to Power Pack	1
2104	24-0164-P	Uni-Frame Right Console Wire Harness	1
2105	24-0187	Wire Assembly, Blue Plug Power Pigtail	1
2106	25-0002	Red Panel Light	2
2107	25-0135	Bullet Connector, Male, 22-18ga	2
2108	25-0136	Bullet Connector, Female, 22-18ga	2
2109	53-0378	Uni-Frame Right Console	1





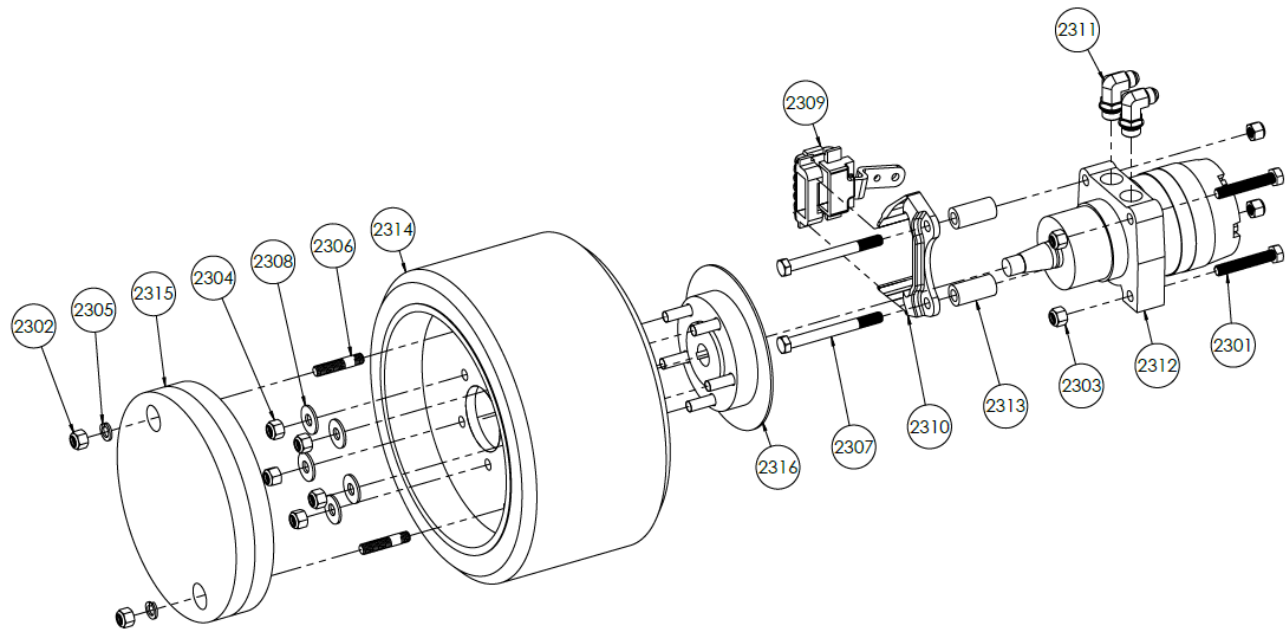
## EI Top Cover Assembly - Part # 96-0343

Item No.	Part Number	Description	Qty.
2201	11-0022	Nyloc Nut, #8-32	3
2202	11-0023	Nyloc Nut, #10-24	2
2203	11-0024	Nyloc Nut, 1/4"-20	6
2204	11-0030	SAE Flat Washer, #10	4
2205	11-0031	SAE Flat Washer, #8	3
2206	11-0033	USS Flat Washer, 1/4"	4
2207	11-0102	Pan Head Phillips Screw, #8-32 x 5/8"	3
2208	11-0133	Hex Head Cap Screw, 1/4"-20 x 3/4"	2
2209	11-0140	Flat Head Socket Screw, 1/4"-20 x 3/4"	4
2210	11-0250-12	Pan Head Phillips Screw, #10-24 x 3/4"	2
2211	12-0021-08	Nyloc Nut, M8-1.25	4
2212	12-0032-16	Hex Head Cap Screw, M8-1.25 x 16mm	4
2213	12-0035-08	Flat Washer, M8	4
2214	13-0005	Chrome Handle	1
2215	22-0006	Strobe Light	1
2216	22-0073	Backup Alarm, 87 dB	1
2217	25-0034	Spade Connector, Female, 16-14ga	2
2218	42-0001	Fire Extinguisher	1
2219	53-0377	EI Top Cover	1
2220	53-0402	Uni-Frame Hood Hinge	2



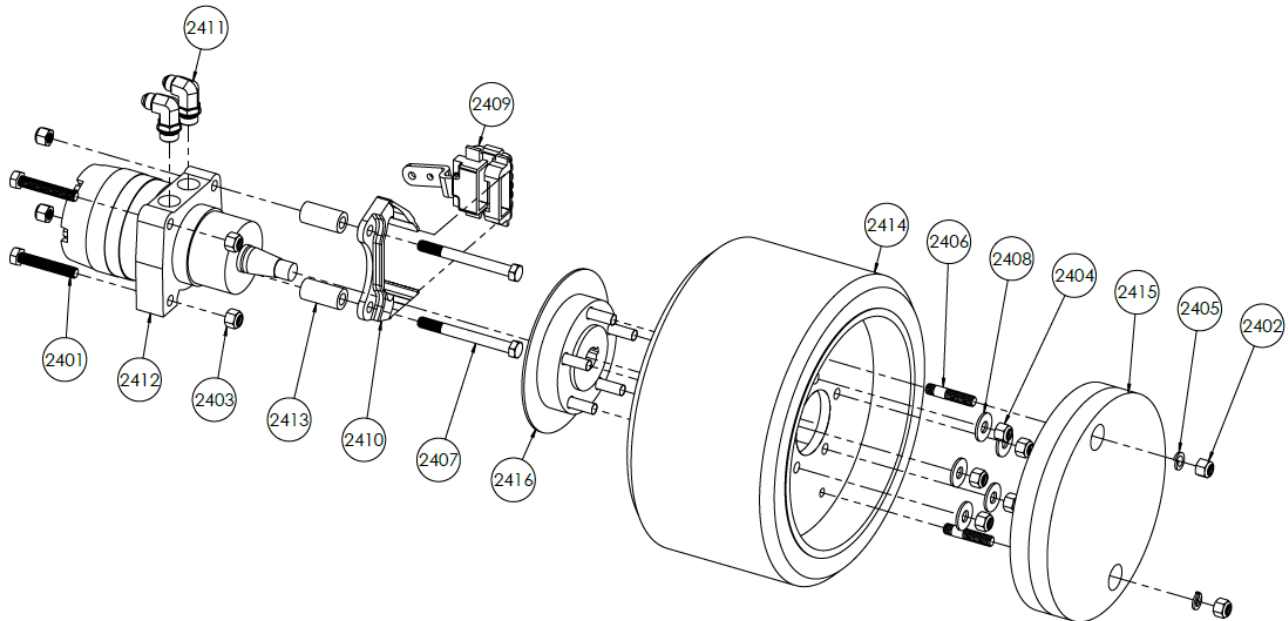
## EI Right Wheel Assembly

Item No.	Part Number	Description	Qty.
2301	11-0013	Hex Head Cap Screw, 1/2"-13 x 3"	2
2302	11-0019	Hex Nut, 1/2"-13	2
2303	11-0028	Nyloc Nut, 1/2"-13	4
2304	11-0029	Nyloc Nut, 1/2"-20	5
2305	11-0041	Lock Washer, 1/2"	2
2306	11-0187	Double Ended Stud, 1/2"-13 x 2 1/2"	2
2307	11-0228	Hex Head Cap Screw, 1/2"-13 x 5"	2
2308	11-0230	USS Flat Washer, 1/2"	5
2309	13-0021	Right Brake Caliper	1
2310	13-0022	Brake Mounting Bracket	1
2311	31-0053	Hydraulic Fitting, 90 deg 8 JIC – 10 SAE	2
2312	33-0003	Right Wheel Motor	1
2313	51-0491	Brake Spacer Standoff	2
2314	53-0208	Wheel and Tire Assembly	1
2315	53-0212	Wheel Weight (45 lbs)	1
2316	70-0016	Wheel Hub with Brake Disc	1



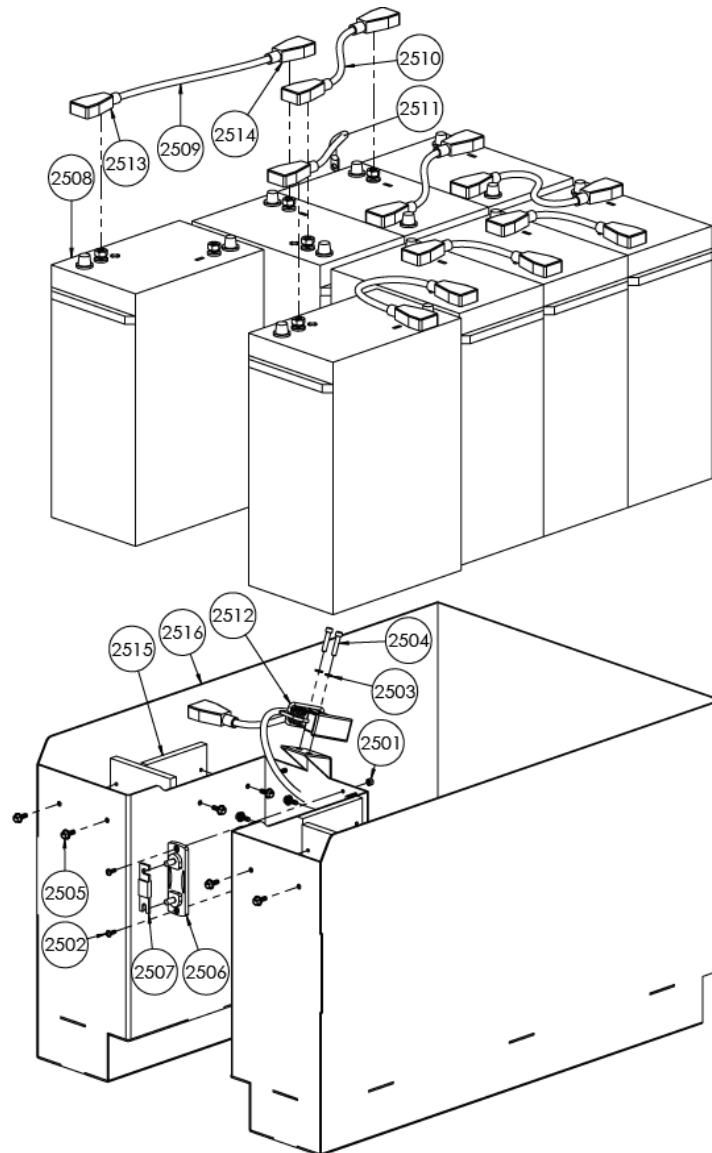
## EI Left Wheel Assembly

Item No.	Part Number	Description	Qty.
2401	11-0013	Hex Head Cap Screw, 1/2"-13 x 3"	2
2402	11-0019	Hex Nut, 1/2"-13	2
2403	11-0028	Nyloc Nut, 1/2"-13	4
2404	11-0029	Nyloc Nut, 1/2"-20	5
2405	11-0041	Lock Washer, 1/2"	2
2406	11-0187	Double Ended Stud, 1/2"-13 x 2 1/2"	2
2407	11-0228	Hex Head Cap Screw, 1/2"-13 x 5"	2
2408	11-0230	USS Flat Washer, 1/2"	5
2409	13-0020	Left Brake Caliper	1
2410	13-0022	Brake Mounting Bracket	1
2411	31-0053	Hydraulic Fitting, 90 deg 8 JIC – 10 SAE	2
2412	33-0002	Left Wheel Motor	1
2413	51-0491	Brake Spacer Standoff	2
2414	53-0208	Wheel and Tire Assembly	1
2415	53-0212	Wheel Weight (45 lbs)	1
2416	70-0016	Wheel Hub with Brake Disc	1



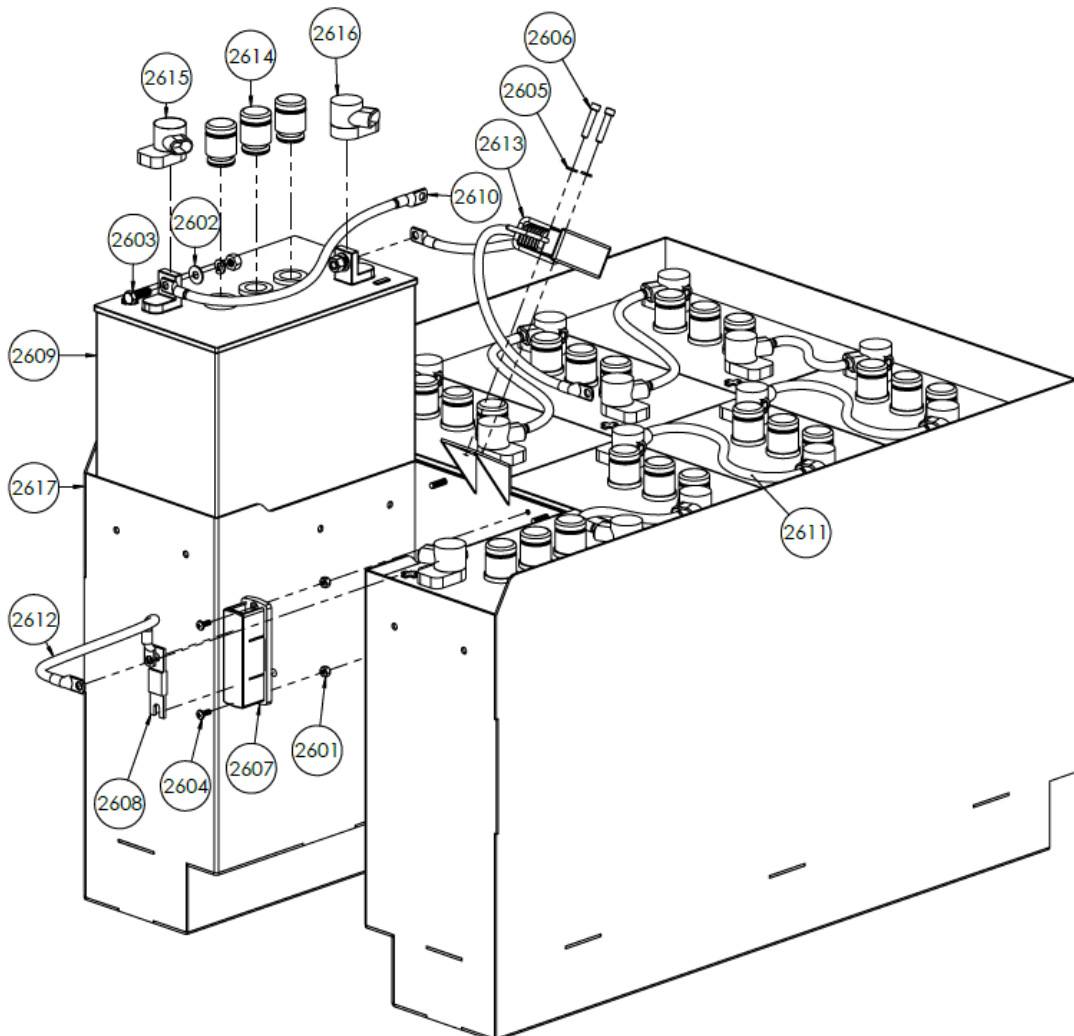
## EI Battery Pack (AGM) - Part # 71-0023

Item No.	Part Number	Description	Qty.
2501	11-0023	Nyloc Nut, #10-24	2
2502	11-0250-08	Pan Head Phillips Screw, #10-24 x 1/2"	2
2503	12-0018-06	Lock Washer, M6	2
2504	12-0020	Socket Head Cap Screw, M6-1.0 x 30mm	2
2505	12-0043-16	Serrated Flange Cap Screw, M6-1.0 x 16mm	8
2506	23-0009	Fuse Holder	1
2507	23-0010	Fuse, 250A	1
2508	23-0141	AGM Battery, 6V	8
2509	24-0032	Battery Pack Wire Assembly, 13.5"	1
2510	24-0033	Battery Pack Wire Assembly, 11"	6
2511	24-0140	Wire Assembly, Pos. Battery to Fuse	1
2512	24-0143	Wire Assembly, Blue Plug Pigtail to Battery	1
2513	25-0103	Battery Boot, Red	8
2514	25-0104	Battery Boot, Black	8
2515	51-1079	AGM Battery Shim	4
2516	53-0241	Removable Battery Tray	1



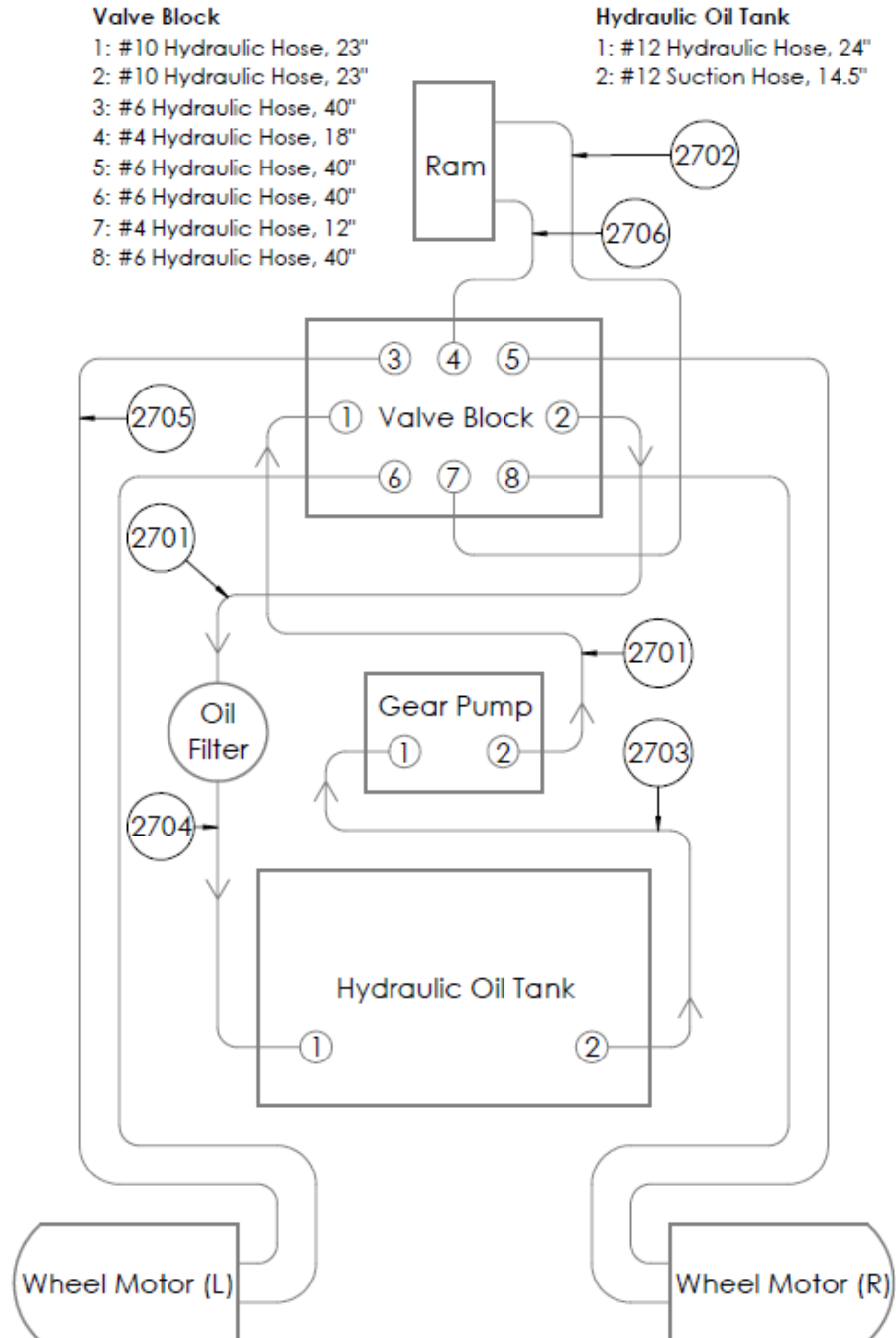
## EI Battery Pack (Non-AGM) - Part # 71-0014

Item No.	Part Number	Description	Qty.
2601	11-0023	Nyloc Nut, #10-24	2
2602	11-0033	USS Flat Washer, 1/4"	16
2603	11-0132	Hex Head Cap Screw, 5/16"-18 x 1"	16
2604	11-0250-08	Pan Head Phillips Screw, #10-24 x 1/2"	2
2605	12-0018-06	Lock Washer, M6	2
2606	12-0020	Socket Head Cap Screw, M6-1.0 x 30mm	2
2607	23-0009	Fuse Holder	1
2608	23-0010	Fuse, 250A	1
2609	23-0013	Battery, 6V	8
2610	24-0032	Battery Pack Wire Assembly, 13.5"	1
2611	24-0033	Battery Pack Wire Assembly, 11"	6
2612	24-0140	Wire Assembly, Pos. Battery to Fuse	1
2613	24-0143	Wire Assembly, Blue Plug Pigtail to Battery	1
2614	25-0010	Battery Flip Cap	24
2615	25-0156	Battery Lug Cap, Red	8
2616	25-0157	Battery Lug Cap, Black	8
2617	53-0241	Removable Battery Tray	1



## T3000 EI Hydraulics

Item No.	Part Number	Description	Qty.
2701	31-0005	Hose Assembly, EI/XME, Pump-Valve/Valve-Filter	2
2702	31-0018	Hose Assembly, EI/XME, Valve to Ram Top	1
2703	31-0237	Hose Assembly, EI/XME/PRO, Tank Suction	1
2704	31-0250	Hose Assembly, EI, Filter to Tank Return	1
2705	31-0253	Hose Assembly, EI, Valve to Wheel (Universal)	4
2706	31-0254	Hose Assembly, EI, Valve to Ram Bottom	1



## 24. Warranty

Innovatech warrants to the original buyer, for a period of one (1) year or 300 operating hours (whichever comes first) from the date of delivery, that the Equipment is free from defects in materials and workmanship and that the Equipment conforms to the operating specifications supplied with the Equipment. The foregoing warranty is subject to proper operation and maintenance of the Equipment in accordance with the operating instruction and manual supplied to Buyer with the Equipment.

Warranty claims shall be made by Buyer in writing. Innovatech's sole obligation under the foregoing warranty, where it appears to Innovatech's satisfaction that the defect was present at the time of delivery, is at Innovatech's sole option, to repair, replace or correct any such defect.

EXCEPT AS STATED ABOVE THERE ARE NO WARRANTIES, EXPRESS OR IMPLIED. INNOVATECH EXPRESSLY DISCLAIMS ANY WARRANTY, EXPRESS OR IMPLIED, THAT EQUIPMENT SOLD HERE UNDER IS OF MERCHANTABLE QUALITY OR THAT IT CAN BE USED FOR OR IS FIT FOR ANY PARTICULAR PURPOSE. ANY DESCRIPTION OF THE EQUIPMENT IN THIS AGREEMENT OR IN MANUALS, BROCHURES OR LITERATURE AND ANY USE OF ANY SAMPLE, MODEL OR PROTOTYPE OF THE EQUIPMENT IS FOR THE SOLE PURPOSE OF IDENTIFYING OR ILLUSTRATING THE EQUIPMENT, IS NOT PART OF THE BASIS OF THE AGREEMENT BETWEEN INNOVATECH AND BUYER, AND DOES NOT CONSTITUTE A WARRANTY THAT THE EQUIPMENT, AS SUPPLIED, WILL CONFORM TO ANY DESCRIPTION OR TO ANY SAMPLE, MODEL OR PROTOTYPE. INNOVATECH DISCLAIMS ANY WARRANTY RESPECTING OPERATING CAPACITY OR CAPABILITY OF THE EQUIPMENT OR THE ABILITY OF THE EQUIPMENT TO MEET ANY PARTICULAR NEEDS OF THE BUYER. THE EQUIPMENT IS POWERED TO OPERATE AS STATED IN THE OPERATING SPECIFICATIONS SUPPLIED WITH THE EQUIPMENT BUT IT IS UNDERSTOOD AND AGREED TO BUY BUYER THAT ACTUAL OPERATING CAPABILITIES VARY UNDER DIFFERENT OPERATING CONDITIONS FOR WHICH INNOVATECH CAN ASSUME NO RESPONSIBILITY.

BUYER'S EXCLUSIVE REMEDY FOR CLAIMS ARISING UNDER THIS AGREEMENT SHALL BE FOR REPAIR OR, AT INNOVATECH'S SOLE OPTION, REPLACEMENT OF ANY ITEM OF DEFECTIVE EQUIPMENT. INNOVATECH'S LIABILITY FOR ANY LOSSES OR DAMAGE, WHETHER ON ACCOUNT OF NEGLIGENCE, BREACH, AND WARRANTY OR OTHERWISE SHALL IN NO EVENT EXCEED THE PURCHASE PRICE OF THE PARTICULAR ITEM OF EQUIPMENT WITH RESPECT TO WHICH SUCH LOSSES OR DAMAGE OCCURRED.

IN NO EVENT WILL INNOVATECH BE LIABLE FOR ANY DAMAGES CAUSED BY BUYER'S FAILURE TO PERFORM BUYER'S RESPONSIBILITIES, OR FOR ANY LOST PROFITS, LOST PRODUCTION, LOSS OF ANTICIPATED PROFITS OF OTHER INCIDENTAL OR CONSEQUENTIAL DAMAGES, EVEN IF INNOVATECH HAS BEEN ADVISED OF THE POSSIBILITY OF SUCH DAMAGES.

IN NO EVENT WILL INNOVATECH BE LIABLE FOR ANY DAMAGES RESULTING FROM ANY CLAIM AGAINST BUYER BY ANY OTHER PARTY.

### FACTORY SERVICE

A warranty will not be valid unless a written claim authorization comes with returned parts. Innovatech will not provide for any shipping costs for items returned for repair. To obtain warranty repairs, buyer must prepay shipment and return all warranty parts to Innovatech. Damage occurring during shipment is deemed the responsibility of the carrier and claims should be made directly with such carrier.

It will be the customer's responsibility to pay for any non-warranty replacement parts plus the current hourly labor rates for any work done on any machine or part. Service is available upon request; call Innovatech for current labor rates.

# Innovatech™

## BARTELL GLOBAL



**Bartell Morrison Inc.**  
 170 Traders Blvd E  
 Mississauga, Ontario, Canada  
 L4Z 1W7  
 Tel: 1-647-953-4100  
 Fax: 1-647-953-4101



**Bartell Morrison (USA) LLC**  
 200 Commerce Drive, Unit A  
 Freehold, New Jersey, USA  
 07728  
 Tel: 1-848-225-8100  
 Fax: 1-848-225-8101



**Innovatech**  
 4701 Allmond Ave  
 Louisville, Kentucky, USA  
 40209  
 Tel: 1-425-405-9100  
 Fax: 1-425-405-9101



**SPE International**  
 Honeyholes Lane  
 Dunholme, Lincoln, UK  
 LN2 3SU  
 Tel: +44 (0)1673 860709  
 Fax: +44 (0)1673 861119

[www.BARTELLGLOBAL.com](http://www.BARTELLGLOBAL.com)