



# TERMINATOR 2100XM® OPERATION AND MAINTENANCE MANUAL



Read this Manual before you operate or service the equipment.

Carpet and Tile Removal Machinery  
Innovatech Products & Equipment Co.  
832 80th St SW Everett  
WA 98203 USA Telephone  
(425) 402-1881  
1-800-267-6682  
Fax (425) 402-8547  
Email: sales@innovatechproducts.com

Copyright © 2008 Innovatech Products & Equipment Co. All Rights Reserved.

Document Number: 53-000010- 01

Innovatech, Innovatech Products & Equipment Co., Terminator 2000, and Terminator 2100XM are service marks of Innovatech Products & Equipment Co., in the United States and/or in other countries. All other brands, products, or service names are or may be trademarks or service marks of, and are used to identify, products or services of their respective owners.

Notice: The information in this document is provided "AS IS," without warranty of any kind, including, without limitation, any implied warranty of merchantability, non-infringement or fitness for a particular purpose. Disclosure of information in this material in no way grants a recipient any rights under Innovatech's patents, copyrights, trade secrets or other intellectual property rights. Innovatech reserves the right to make changes to this document at any time, without notice, and assumes no responsibility for its use.

The authors and Innovatech Products & Equipment Co., shall have no liability or responsibility to any person or entity with respect to any loss, cost, liability, or damages arising from the information contained in this document or any materials or the computer programs that accompany it.

## **Table of Contents**

<b>Declaration of Conformity</b>	<b>5</b>
<b>Introduction</b>	<b>6</b>
About this Manual .....	6
Tools and Supplies .....	6
Warning Symbols.....	7
<b>Safety Instructions</b>	<b>8</b>
General Guidelines for Safe Operation .....	8
General Operating Instructions for the Terminator® 2100XM.....	8
Safety Features .....	9
Safety Warnings .....	9
Ventilation Requirements.....	10
<b>Guards, Warning Notices and Signs</b>	<b>11</b>
Service Instructions and Personnel.....	11
Replacement Parts and Materials .....	11
<b>Uncrating and Preparing the Terminator 2100XM for Operation</b>	<b>12</b>
Remove the Terminator 2100XM from the Crate Using a Forklift .....	12
Remove the Terminator 2100XM from the Crate Manually.....	12
Loading/Unloading Procedures .....	12
<b>Controls and Machine Operation</b>	<b>14</b>
Drive Controls .....	14
Ignition Switch and Blade Controls.....	15
Operating the T-2100XM .....	15
Shutting Down the Terminator 2100XM .....	16
Taking Up Floor Coverings.....	16
Blade Assembly .....	16
Ballast .....	17
<b>Systems Inspection and Maintenance</b>	<b>18</b>
Engine.....	18
Air Filter.....	18
Hood and Operator Seat.....	18
<b>Maintenance</b>	<b>19</b>
Safety Equipment Inspection and Maintenance .....	19
Fuel System.....	20
LPG Fuel Cylinder Replacement Procedure .....	20
Troubleshooting .....	20
<b>Blade Selection Guide</b>	<b>21</b>
<b>Warranties</b>	<b>22</b>
Innovatech Warranty.....	22

<b>Recommended Safety Maintenance Procedures for LP Gas Fueled Equipment</b>	<b>23</b>
<b>Carbon Monoxide Warning</b>	<b>24</b>
Carbon Monoxide – What Service Personnel Should Know! .....	24
<b>Propane Safety</b>	<b>25</b>
Precautions and Warnings .....	25
What to Do If You Smell Gas.....	25
OSHA FACT SHEETS.....	26
What Is Carbon Monoxide? .....	26
Are You Likely To Be Poisoned? .....	26
How Does Carbon Monoxide Harm You?.....	26
What Can You Do About Carbon Monoxide? .....	26
Suggestions to Prevent Carbon Monoxide Poisoning .....	27
What Are The Federal Standards? .....	27
<b>Terminator 2100XM Specifications</b>	<b>28</b>
<b>Terminator 2100XM Parts Catalog</b>	<b>29</b>
Console and Door Assembly .....	31
Engine and Pump Assembly .....	32
Hydraulic Assembly .....	33
Hydraulic Assembly Continued.....	34
10cc Pump and T-Case Fitting Assembly .....	35
Propane Tank Position with Hose .....	36
Lower Chassis and Weight Assembly .....	37
Wheel and Brake Assembly .....	38
Strobe Light Bracket and Hood Assembly.....	39

## **Declaration of Conformity**

Manufacturer & Address:  
Innovatech Products and Equipment  
832 80th ST SW Everett, WA 98203

We declare under our sole responsibility that the product described as:

Machine description: Terminator 2100XM ride on floor removal machine  
Make: Terminator 2100XM  
Type: LPG Internal Combustion  
Serial number: .....

Complies with the requirements of the following directives:

- Machinery Directives 98/37 (modified);
- Low Voltage Directive 73/23 (modified);
- Electromagnetic Compatibility Directive 89/336

Standards Considered:

EN 12100-1, EN12100-2, EN 60294-1

Date: February 2008 at: Innovatech

President

Gregory Dahl

## Introduction

The Terminator® 2100XM Carpet and Tile Removal Machine is intended for use on demolition projects, asbestos abatement projects, and smaller floor covering removal jobs. Designed and built by experienced floor covering demolition and installation experts, the machine incorporates several design features that are essential for efficient operation:

**Tricycle wheelbase and short turning radius** allows for better maneuvering and turning ability – especially in narrow spaces.

**Blade vertical and tilt position adjustments** allow for positioning the blade to the appropriate angle for the each application to improve efficiency.

**Ballast in front and rear** provides extra traction needed for tile and glue removal.

**Built-in forklift transport slots** allows for easy loading and unloading at job sites.

**Propane powered engine** provides high fuel efficiency and low air pollution. Propane does however produce carbon monoxide and other gases, which may be harmful to your health if not used in well-ventilated areas. See the Ventilation Requirements.

**Catalytic Converter** provides high fuel economy and lowers emission of harmful gasses.

If operated and cared for as instructed in this Manual, the Terminator 2100XM provides trouble-free, safe, and efficient performance.

### ***About this Manual***

**Read this Manual before you operate or service the equipment.** This manual contains the information and procedures to assist you to operate and maintain the Terminator® 2100XM safely and correctly. If you need additional information or assistance, please get in touch with our Customer Service Department:

Innovatech Products & Equipment Co.  
832 80th St SW  
Everett, WA 98203 USA  
(425) 402-1881 or 800-267-6682  
Fax (425) 402-8547  
Email: sales@innovatechproducts.com







**NOTE:** Throughout this Manual directional instructions (left, right, up, down, push, pull, etc.) are given from the point of view of the operator performing the action.

### ***Tools and Supplies***

The following tools and supplies are required for proper equipment maintenance and should be available at the job site.

- 1.) 4" or 7" Grinder
- 2.) WD 40
- 3.) 10"-15" Crescent Wrench
- 4.) ¾ Open End and Box Wrench
- 5.) 16-20 oz. Hammer
- 6.) Screw Driver Set
- 7.) Socket Set 1/4 – 3/4, 3/8 set or 1/2
- 8.) Safety Glasses
- 9.) Grease Gun
- 10.) Ear Plugs

**Warning Symbols**

Symbol	Explanation
	Read the Manual
	Safety Helmet
	Eye Protection
	Eye and Ear Protection
	Warning
	Sever Hazard

## Safety Instructions


To ensure safe operation, only trained personnel should use the Terminator 2100XM. To help ensure your safety as a designated operator, **read these safety instructions before you operate the equipment.**

The Terminator 2100XM has unique features and systems. Read the following guidelines and instructions before operating or servicing the machine or equipment.

### ***General Guidelines for Safe Operation***

- Only qualified and trained personnel should operate the Terminator 2100XM.
- **CAUTION:** The Terminator 2100XM produces carbon monoxide while the engine is running. Provide adequate ventilation when operating the Terminator 2100XM in an enclosed building.
- Only use the Terminator 2100XM for the purpose for which it was designed. Attempting to alter the Terminator 2100XM will invalidate applicable warranties and may endanger personnel and the machine.
- **DO NOT** use the Terminator 2100XM on roofs or floors not designed to carry the weight of the machine. The Terminator weighs 1,620 lbs.
- Familiarize yourself with all safety features and controls before each use.
- Reduce speed when near personnel, walls, machinery, and other objects.
- Survey and inspect the work area for cracks, trenches, or objects that could catch or damage the blade of the machine.

### ***General Operating Instructions for the Terminator<sup>®</sup> 2100XM***

- The Terminator 2100XM is designed to remove carpet, tile, and glue residue from floors.
-  Position removed product so it rolls to the side of the machine or is removed by personnel.  
**WARNING:** Never walk in front or behind the Terminator 2100XM while it is running.
- Sharpen blades or dice material into narrower widths if machine slows down or seems to be struggling.
- Do not use the Terminator 2100XM within one foot (12 inches) of walls or stationary objects. Striking walls or other objects with the Terminator 2100XM may cause damage to the object, machine, or personnel.
- Use safe, OSHA approved tools and methods for sharpening blades.
- Make sure all safety equipment on the Terminator 2100XM is installed and working properly; including a charged fire extinguisher and working back up beacon.
- Verify the work area has adequate ventilation before starting the engine on the Terminator 2100XM.



## ***Safety Features***

The Terminator 2100XM is equipped with several features to help ensure your safety and the safety of any personnel in the work area.

**Warning Light and Back up Alarm:** An amber light is installed on the top rear section of the hood. When the Terminator 2100XM ignition is in the ON position, the warning light will flash. The back up alarm sounds when the drive control is set in **REVERSE** to provide a warning signal that the machine is moving in reverse.

**Fire Extinguisher:** A fire extinguisher is located on the hood behind the operator's seat. Regularly inspect the gauge and recharge the fire extinguisher as needed to maintain full capacity. Always recharge the extinguisher after each use.

**Auto Stop:** The Terminator 2100XM has two drive levers located to the left and right of the operator's seat and a blade height switch located directly in front of the operator's seat. The drive levers control the forward, reverse, left, and right directions of the machine. The blade height switch raises and lowers the blade. You must push (forward) or pull (reverse) and hold the levers in position to drive the machine in the direction desired. When a lever is released, the Terminator 2100XM automatically STOPS. The machine will not move again until you push/pull and hold the levers.

**CAUTION:** Do not use the levers as a parking brake. Block wheels with a floor block when stopping on a ramp or incline. The machine will roll on any sloping surface without a floor block.

## ***Safety Warnings***

FAILURE TO FOLLOW THESE RULES MAY RESULT IN SERIOUS PERSONAL INJURY OR DEATH.

**ALWAYS WEAR EYE PROTECTION.** Wear eye protection to provide protection against flying particles from the front and side of the machine. All personnel in the work area, including the operator, must always wear eye protection when loading, operating, and servicing the machine.

**ALWAYS WEAR EAR PROTECTION.** Wear ear protection to protect the ears from exposure to high noise levels. All personnel in the work area, including the operator, must always wear ear protection when loading, operating, and servicing the machine.

**ALWAYS WEAR A HARD HAT.** Wear head protection to protect the head from flying debris. All personnel in the work area, including the operator, must always wear a hardhat when operating the machine.

**ALWAYS PROVIDE PROPER VENTILATION.** Ventilation is required when using the Terminator 2100XM. Positive or negative pressure ventilators must be used in any enclosed space where the machine is to be used. Use Carbon Monoxide (CO) monitoring when the machine is used in doors. The Carbon Monoxide generated by propane engines can be hazardous to your health if proper ventilation is not provided.

Use caution while loading, operating, and running the Terminator 2100XM.

- Do not operate the Terminator 2100XM unless you have been provided instruction on the safe operation of the equipment.
- NEVER operate the Terminator 2100XM unless every guard, warning notice, or sign is in place.
- DO NOT operate the Terminator 2100XM while under the influence of drugs, alcohol, or medication.
- DO NOT operate the Terminator 2100XM near an open flame or smoking materials.
- DO NOT run the machine onto piles of debris.
- NEVER operate the Terminator 2100XM in any manner that may cause the machines to become unstable and tip over.
- NEVER engage in horseplay on or near the Terminator 2100XM.

- ALWAYS use the seat belt on the Terminator 2100XM. The seatbelt will help provide you the proper footing and balance.
- ALWAYS turn the off engine and turn the fuel flow control to OFF when the machine is not in use.
- NEVER stand directly behind or in front of the Terminator 2100XM when the engine is running.
- NEVER put your hands or feet in the blade area when the engine is running.
- DO NOT exceed recommended speed.
- NEVER refuel, lift the hood, inspect the blade or otherwise service, or maintain the Terminator 2100XM while the engine is running.
- DO NOT move the Terminator 2100XM if the engine lid is open.
- NEVER sit or stand next to, under, or near the Terminator 2100XM during transportation in a moving vehicle, whether by itself or with other equipment.
- NEVER attempt to use the Terminator 2100XM on a non-horizontal surface.
- NEVER attempt to turn around, or otherwise maneuver, the Terminator 2100XM on a ramp or hill.

### ***Ventilation Requirements***

- Use machine only in well-ventilated areas.
- ⚠ The internal combustion engine of the Terminator 2100XM produces carbon monoxide gas. Carbon monoxide (CO) is a colorless, odorless, highly poisonous gas that is harmful and in sufficient concentrations may cause illness or death.
- When operating this machine indoors provide adequate ventilation to prevent the accumulation of Carbon Monoxide.
- When in doubt about ventilation stop operation until you are sure the ventilation is adequate. A Carbon Monoxide (CO) monitor is highly recommended to monitor the air whenever the Terminator 2100XM is operated indoors.
- Read and understand the following OSHA Fact Sheet regarding Carbon Monoxide poisoning.

## **Guards, Warning Notices and Signs**

The guards, warning notices, and signs are placed on the Terminator 2100XM for your protection. Call the Customer Service Department to order a replacement if a guard, warning notice, or sign is damaged or lost.

### ***Service Instructions and Personnel***

The Terminator 2100XM requires regular inspection and maintenance of the engine, the operating systems, and other parts. To prolong the safe and efficient operating life of the machine, clean and service it as instructed in the Maintenance section of this manual.

Always use trained personnel to service the equipment. If you need help with a service or maintenance problem, call our Customer Service Department.

### ***Replacement Parts and Materials***

The Terminator 2100XM is designed and engineered to operate safely and efficiently with factory installed parts and materials. To ensure the continued safe and efficient operation of the equipment, use replacement parts and materials that meet both of the following requirements:

- Innovatech must authorize replacement parts and materials solely.
- Replacement parts and materials must be identical to the items originally provided with the machine, except as authorized by Innovatech.

Never use "equivalent" or substitute parts, except as expressly authorized by Innovatech.

If you fail to obey these restrictions, you may injure yourself, damage the Terminator 2100XM, and invalidate applicable warranties.

If you are in doubt about any replacement parts or materials, call our Customer Service Department for assistance.

## Uncrating and Preparing the Terminator 2100XM for Operation

1. Inspect the outside of the Terminator 2100XM crate completely upon delivery. Notify the carrier if the crate is damaged.
2. Carefully uncrate the machine and inspect it for damage that may have occurred during shipping. If the shipment is damaged, notify the carrier immediately.
3. Remove the crate debris, set aside the blades and other packages.
4. Follow the instruction to remove the Terminator 2100XM from the crate.

### ***Remove the Terminator 2100XM from the Crate Using a Forklift***

**WARNING:** Use the forklift slots to lift the Terminator.

### ***Remove the Terminator 2100XM from the Crate Manually***

- 1.) Install a full propane tank.
- 2.) Remove the 2 x 4's from the edge of the crate and from between the wheels.
- 3.) At the rear of the machine, create a ramp using the 2 x 4's and crate material.
- 4.) Start the Terminator 2100XM.
- 5.) Lift the front wheel off the crate by approximately five (5) inches. The jaw will be on crate.  
**WARNING:** Keep feet from the area.
- 6.) Pull up on both control levers and move both levers back slowly. The machine will start moving slowly backwards.
- 7.) The jaw will roll back on the ramp. Both wheels must to come off evenly.  
**WARNING:** Roll the machine straight back to prevent rolling.
- 8.) As the machine rolls back, make sure the center wheel clears the crate. Use the blade height switch to lift the wheel higher as needed.
- 9.) Once the machine is on the ramp, slide the machine all the way to the bottom.
- 10.) Lift the jaw and set the center wheel to the ground.

\* ALWAYS turn OFF the engine when mounting or dismounting the Terminator 2100XM.

### ***Loading/Unloading Procedures***

- Do not load or unload the Terminator 2100XM on uneven ground. Make sure ramps are square to the ground.
- Always turn the engine OFF when transporting the Terminator 2100XM by forklift or other vehicle.
- Load and unload the machine using a properly weighted forklift or lift-gate.
- Make sure all safety stops are installed when using a lift-gate.
- Never position personnel under or around the machine while moving it with other machinery.
- Park the machine with the blade completely down after loading.
- Properly secure the machine with chains, tire chocks, and other necessary tie downs.
- Never ride on or near the Terminator 2100XM during transportation. It may tip, causing severe injury.

Inspect the lug nuts on the rear wheels; tighten the nuts to 70 inch-pounds torque.

Raise the hood and prop it open with the hood brace. Be sure the tip of the brace is firmly secure under the latch. **DO NOT MOVE MACHINE WITH THE LID OPEN!**

Using the respective dipstick, test the level of the engine oil and the hydraulic fluid. Add oil and hydraulic fluid as needed.

Inspect the fuel system connectors and valve. Make sure the valve is OFF.

Have two tanks of propane on hand: one to install and one in reserve. (Each tank provides approximately 3 to 4 hours operating time.)

**CAUTION!** Wear insulated gloves and handle the propane tanks and fuel with extreme care, according to the manufacturer's instruction.

**DO NOT WORK WITH PROPANE NEAR A FLAME OR SPARKING EQUIPMENT.**

# Controls and Machine Operation

## *Drive Controls*



**Figure 1 Operator Controls – Side View**

The drive controls (two levers) are located to the right and left of the operator.

To move the machine forward, push the left and right levers forward at the same time and hold them in position.

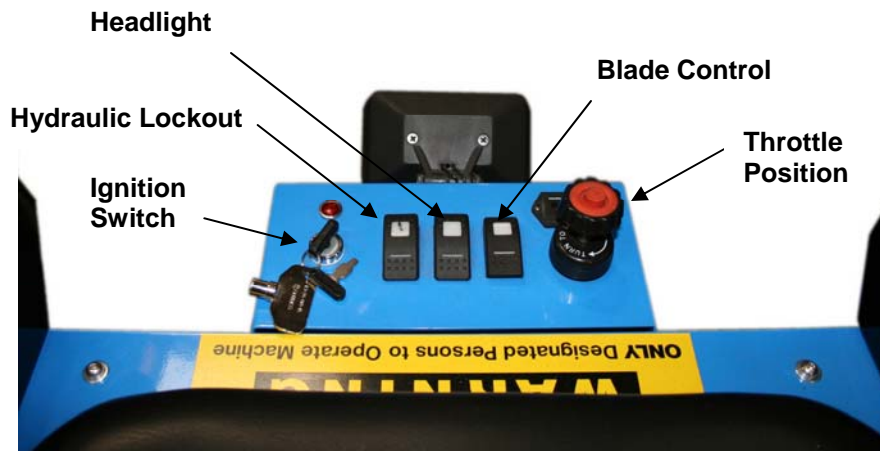
To move the machine in reverse, pull back the left and right levers at the same time and hold them in position. The reverse alarm sounds.

To turn the machine to the left, push the right lever only.

To turn the machine to the right, push the left lever only.

**AUTO STOP:** When you release the drive levers, the engine continues to run but the machine stops moving.

## ***Ignition Switch and Blade Controls***



**Figure 2 Operator Controls – Drivers Seat**

The operator controls consist of the ignition switch, headlight switch, engine throttle knob, hydraulic lockout, and blade control switches.

The ignition switch, light switch, and blade controls are in front of the operator seat. The blade height switch controls the vertical position of the blade.

### ***Operating the T-2100XM***

Use the following instructions as a general guide to operate the T-2100XM. The operator will determine actual machine operation.

- 1.) Perform an inspection of the machine. Refer to Systems Inspection and Maintenance.
- 2.) Open the propane fuel valve, turning the valve counterclockwise. Check all the fuel lines for leaks that you can see, hear, or smell.

**WARNING:** If you detect a fuel leak, immediately close the fuel valve and contact service personnel.

- 3.) Tighten the line and test again.
- 4.) Sit on the machine and buckle the seat belt.
- 5.) Insert the key in the ignition switch and turn the key clockwise to start the engine.
- 6.) Slowly push the right and left levers forward to move the machine very slowly.
- 7.) Continue to push the levers forward to increase speed.
- 8.) Slowly release the right and left levers to bring the machine to stop.
- 9.) If the machine drifts left, raise right lever a little and machine will straighten out. If the machine drifts to the right, lift the left lever a little.
- 10.) Push the right lever and pull the left lever to turn the machine to the left.
- 11.) Push the left lever and pull the right lever to turn the machine to the right.

**WARNING:** Do not pull back or release either lever abruptly. This will cause the machine will turn very sharply.

**WARNING:** Do not put the blade into the jaw until familiar with the machine.

### ***Shutting Down the Terminator 2100XM***

- 1.) Release the drive control levers.
- 2.) Lower the blade to the floor.
- 3.) Turn the ignition switch counter-clockwise to the OFF position.
- 4.) Turn the propane tank control off turning the valve clockwise.
- 5.) Inspect the machine for damage.
- 6.) For safety, remove propane tank and key.

### ***Taking Up Floor Coverings***

- 1.) Insert the blade. (Refer to Blade Assembly below.)
- 2.) Lower the blade to the floor. As the blade flexes lift caster wheel off the floor ¼ inch. Drive forward.
- 3.) As the Terminator 2100XM is removing flooring material have another person at the side of the machine, remove all debris.

### ***Blade Assembly***

Blades are available in different configurations and thickness. An assortment of blades is included in the purchase price of the Terminator 2100XM. Extra blades are available upon request from Innovatech Products & Equipment Co., Inc.

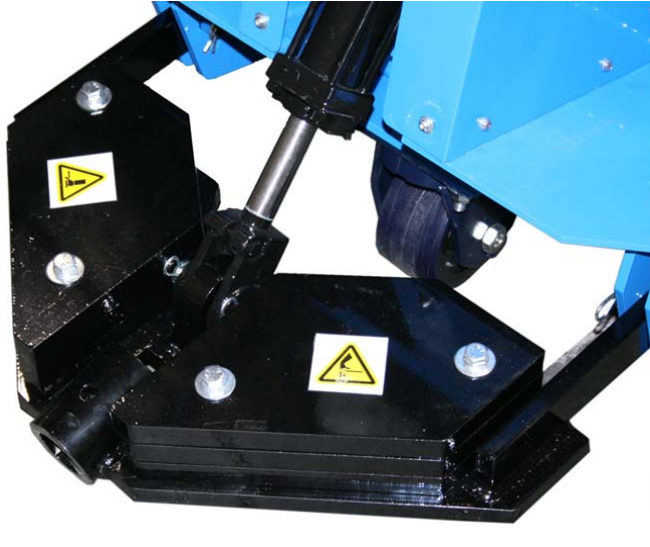
- 1.) Raise the blade assembly to the maximum up position, which is four inches off the floor.
- 2.) Unwrap the pre-sharpened blades and select the blade thickness and length you need for the job.
- 3.) Loosen the seven holding bolts.
- 4.) Insert the sharpened blade with the beveled side up.
- 5.) Tighten bolts firmly, starting from the center and working out. Bolts should be snug but not over tightened.



### **Ballast**

The Terminator 2100XM is equipped with weights in front and rear to provide traction. Remove these weights to reduce traction and to transport the Terminator 2100XM by forklift, truck, or elevator. Wear gloves when handling weights.

**WARNING:** Dropping or mishandling the ballast weights may cause personal injury or damage to the equipment.

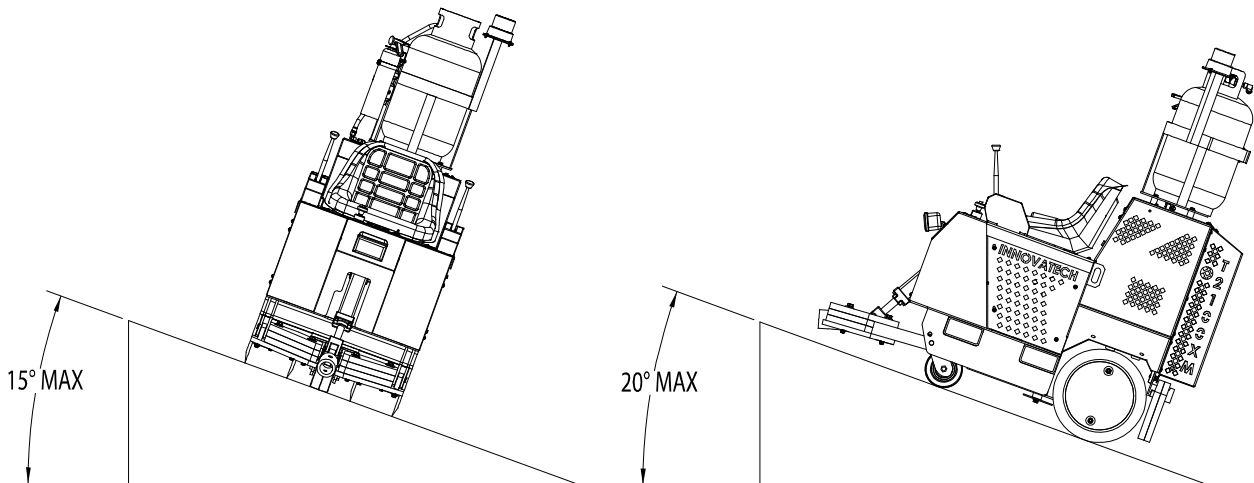


**Figure 3 Front Ballast**



**Figure 4 Rear Ballast**

**Warning:** Operating the Terminator 2100XM on a ramp or incline may cause tip over. Only operate the Terminator 2100XM at angles less than shown below.



## Systems Inspection and Maintenance

Refer to the Honda GX620 Engine manual for complete maintenance instructions. When working on this machine always take into consideration the warnings about this machine and take extra care when evaluating the problem.

### ***Engine***

Before operating the T-2100XM perform an inspection of the engine to verify all components are in place and in good condition. The propane-powered air-cooled engine is located under the hood.

Check the air cleaner, making sure it is clean and in good condition. Check the engine oil using the dipstick. If the oil is low, remove the oil filler cap and add oil to the upper limit mark on the dipstick.

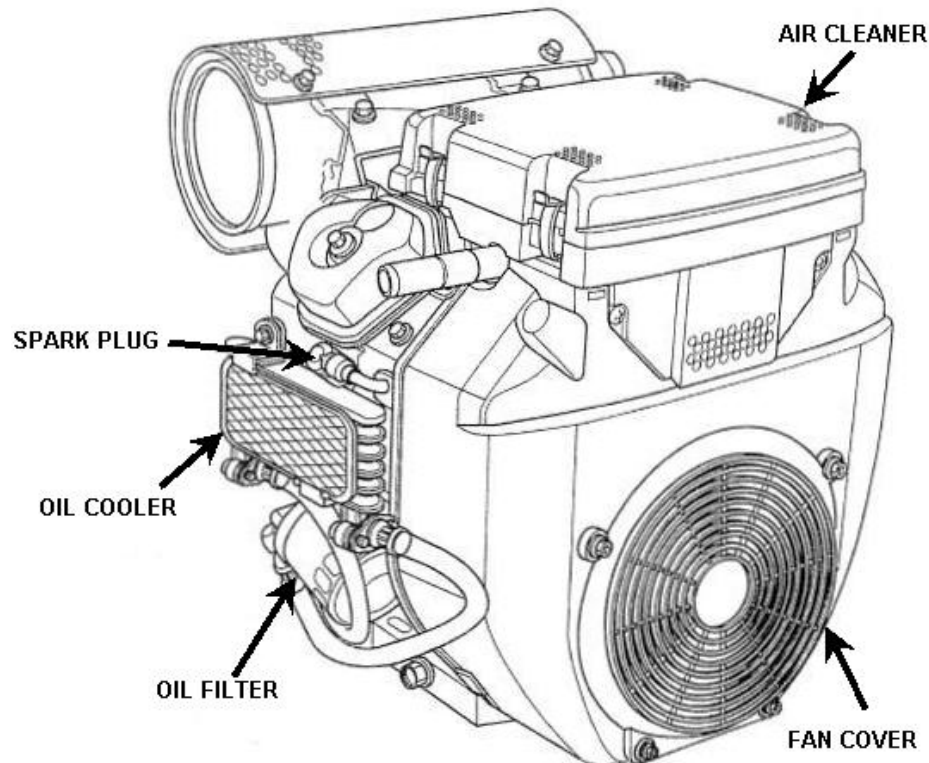


Figure 5 Engine

A safety guard covers the fan. **NEVER operate the machine unless the guard is in place. Always keep your hands away from the fan when the engine is running.**

### ***Air Filter***

The air filter helps prevent dust and dirt from entering the engine. Inspect the air filter before operating each day and replace when dirty.

### ***Hood and Operator Seat***

The hood covers the engine, fan, fuel supply and their related systems. The top of the hood contains the fire extinguisher, amber back up light, and the propane tank.

## **Maintenance**

- 1) Grease the caster wheel at three fittings every 30 hours. There are three fittings, two on the wheel and one on the housing.
- 2) Remove debris caught between the wheel and the housing. Clean out wheel and housing regularly.
- 3) Change the engine oil every 3 months or 50 hours with SAE 30. Check the engine owner's manual for oil recommendations for temperatures below 32° F.
- 4) Change the oil filter – (available from Innovatech).
- 5) Check hydraulic oil once a week. Change every 18 months with NUTO H 46 or ISO 46 or if fluid is overheated 160°F – 180°F or higher, filter every 60 hours.
- 6) Clean the caster wheel and rear tires using a wire wheel as necessary.
- 7) Change the air cleaner when dirty (available from Innovatech).
- 8) Change spark plugs, rotor, and distributor cap every 12 months or 200 hours. Refer to the Honda Engine GX620 Owner's Manual for the correct gap and part numbers.
- 9) Inspect the machine for leaks, find and tighten fittings – do not over tighten fittings.
- 10) Check all hoses and clamps once a week.
- 11) Inspect rear tires and lug bolts. Tighten lug bolts as needed to 70-foot pounds torque.
- 12) Check wheel hub every 60 hours of operation. Wheel hub should be tightened from 310 to 350-foot pounds (ft.-lbs).

### ***Safety Equipment Inspection and Maintenance***

Verify that the following equipment is proper working condition before operating the T-2100XM.

- Fire extinguisher
- Backup light and siren
- Parking brake

## ***Fuel System***

The fuel system consists of propane tank, fuel lines, connectors, and flow control. The Terminator 2100XM is designed to accommodate a three-gallon tank, which will usually provide about three to four hours running time. Keep a reserve tank on hand.

### **LPG Fuel Cylinder Replacement Procedure**

**WARNING:** NO SMOKING – Do not replace fuel cylinders in areas that have a source of fuel ignition.

- 1.) Close the cylinder valve and run engine until it stops prior to disconnecting the fuel hose from the tank.
- 2.) Remove the strap holding the propane tank.
- 3.) Remove the empty tank and replace with a full tank.
- 4.) Reconnect the strap and make sure it is locked in position.
- 5.) Connect the fuel hose.
- 6.) Open the valve slowly so the hose and tank pressure can equalize or the valve may slug. Should leakage occur, close valve and have qualified personnel make repairs.

**NOTE:** THE ABOVE IS PROVIDED AS A GUIDE. FOR ADDITIONAL INFORMATION, CONSULT THE NATIONAL FIRE PROTECTION ASSOCIATION PAMPHLET 58 FOR THE SAFE STORAGE AND HANDLING OF LIQUEFIED PETROLEUM GASES.

## ***Troubleshooting***

<b>Condition</b>	<b>Probable Cause</b>	<b>Corrective Action</b>
Engine will not crank or is cranking slowly	Discharged Battery	Charge or Replace Battery
	Loose Battery cables	Clean and Reconnect.
	Ignition Switch Failure	Replace or Repair Ignition Switch
	Starter Failure	Replace or Repair Starter
	Charging System	Test; Replace or Repair
	Wiring	Inspect and Repair
Engine cranks but will not start	No Fuel In Propane Cylinder	Check and Fill
	Propane Cylinder Valve Turned Off	Check the propane tank couple. Turn On Valve
	No Spark	Check Coil, Distributor, Ignition Switch. Check all fuses under the control panel.
Engine hesitation or Improper idle	Dirty Throttle Body	Clean
	Improper Tightening of Manifold	Tighten Manifold Bolts
Excessive fuel consumption	Worn Parts	Service Tune-Up
Engine Runs but the machine will not move		Customer Service Department for assistance

## Blade Selection Guide

### Part # Blade Description Material

81-0051	4 X 9 X .074	vct, vat, elastomerics, rescrape glue
81-0052	4 X 9 X .074 W/ NOTCH	
81-0053	4 X 9 X .074 W/ NOTCH SD	
81-0054	4 X 9 X .092	vct, vat, elastomerics, rescrape glue, wood, ceramic thinset
81-0055	4 X 9 X .092 W/ NOTCH	
81-0056	4 X 9 X .092 W/ NOTCH/SD	
81-0057	4 X 13 X .074	vct, vat, elastomerics, rescrape glue, wood, ceramic thinset
81-0058	4 X 13 X .074 W/ NOTCH	
81-0059	4 X 13 X .074 W/ NOTCH/SD	carpet, vinyl, rubber
81-0060	4 X 13 X .092	vct, vat, elastomerics, rescrape glue, wood, ceramic thinset
81-0061	4 X 13 X .092 W/ NOTCH	
81-0062	4 X 13 X .092 W/ NOTCH/SD	carpet, vinyl, rubber, elastomerics
81-0063	4 X 18 X .074	vct, vat, carpet clean up, rescrape glue
81-0064	4 X 18 X .074 W/ NOTCH	
81-0065	4 X 18 X .074 W/ NOTCH/SD	carpet, vinyl, rubber
81-0066	4 X 18 X .092	vct, vat, elastomerics, rescrape glue,
81-0067	4 X 18 X .092 W/ NOTCH	
81-0068	4 X 18 X .092 W/ NOTCH/SD	carpet, vinyl, rubber
81-0069	4 X 26 X .074	vct, vat, carpet clean up, rescrape glue
81-0070	4 X 26 X .074 W/ NOTCH	
81-0071	4 X 26 X .074 W/ NOTCH/SD	carpet, vinyl
81-0072	4 X 26 X .092	vct, vat, elastomerics, rescrape glue,
81-0073	4 X 26 X .092 W/ NOTCH	
81-0074	4 X 26 X .092 W/ NOTCH/SD	wood, ceramic, thinset
81-0079	6 X 18 X .092 W/ NOTCH	carpet, vinyl
81-0081	6 X 26 X .092	double-layered tile, carpet
81-0082	4 1/2 X 10 X .125	carpet, ceramic tile, double-layered vct, wood
81-0084	4 1/2 X 13 X .125	
81-0086	4 1/2 X 26 X .125	
81-0088	9 X 26 X .125 W/ NOTCH	
83-0002	Large tile tooth	epoxy, urethane, mosaic tile, quarry tile, pavers porcelain, wood
83-0001	Milled large tile tooth	

**NOTE:** Blade selection depends entirely upon the material to be removed and the type of adhesive used to adhere the floor covering or coating to the concrete. The tougher the material, the smaller blade will be more effective in removing the material or adhesive.

Notched self-dicing (SD) blades can be used to ditch (skip rows) the material or using only one side (not skipping rows). If a blade smaller than 9 inches is required to successfully remove material, it is suggested that a 9 or 13 inch blade be cut down, leaving the blade a full 9 or 13 inches where it will be clamped into the jaw.

## **Warranties**

### ***Innovatech Warranty***

Innovatech warrants to the original buyer for a period of six (6) months from the date of delivery or 300 operating hours (whichever comes first), that Equipment is free from defects in materials and workmanship and that the Equipment conforms to the operating specifications supplied with the Equipment. The foregoing warranty is subject to proper operation and maintenance of the Equipment in accordance with the operating instruction and manual supplied to Buyer with the Equipment.

Buyer shall make warranty claims in writing. Innovatech's sole obligation under the foregoing warranty, where it appears to Innovatech's satisfaction that the defect was present at the time of delivery, is at Innovatech's sole option, to repair, replace, or correct any such defect.

EXCEPT AS STATED ABOVE THERE ARE NO WARRANTIES, EXPRESS OR IMPLIED. INNOVATECH EXPRESSLY DISCLAIMS ANY WARRANTY, EXPRESS OR IMPLIED, THAT THE EQUIPMENT IS OF MERCHANTABILITY QUALITY, OR THAT IT CAN BE USED FOR, OR IS FIT FOR ANY PARTICULAR PURPOSE. ANY DESCRIPTION OF THE EQUIPMENT IN MANUALS, BROCHURES, OR LITERATURE AND ANY USE OF ANY SAMPLE, MODEL, OR PROTOTYPE OF THE EQUIPMENT IS FOR THE SOLE PURPOSE OF IDENTIFYING OR ILLUSTRATING THE EQUIPMENT, IS NOT PART OF THE BASIS OF THE AGREEMENT BETWEEN INNOVATECH AND BUYER, AND DOES NOT CONSTITUTE A WARRANTY THAT THE EQUIPMENT, AS SUPPLIED, WILL CONFORM TO ANY DESCRIPTION OR TO ANY SAMPLE, MODEL OR PROTOTYPE. INNOVATECH DISCLAIMS ANY WARRANTY RESPECTING OPERATING CAPACITY OR CAPABILITY OF THE EQUIPMENT OR THE ABILITY OF THE EQUIPMENT TO MEET ANY PARTICULAR NEED OR REQUIREMENT OF THE BUYER. THE EQUIPMENT IS POWERED TO OPERATE AS STATED IN THE OPERATING SPECIFICATIONS SUPPLIED WITH THE EQUIPMENT BUT IT IS UNDERSTOOD AND AGREED TO BY BUYER THAT ACTUAL OPERATING CAPABILITIES VARY UNDER DIFFERENT OPERATING CONDITIONS FOR WHICH INNOVATECH CAN ASSUME NO RESPONSIBILITY.

BUYER'S EXCLUSIVE REMEDY FOR CLAIMS ARISING UNDER THIS WARRANTY SHALL BE FOR REPAIR OR, AT INNOVATECH'S SOLE OPTION, REPLACEMENT OF ANY ITEM OF DEFECTIVE EQUIPMENT. INNOVATECH'S LIABILITY FOR ANY LOSSES OR DAMAGE, WHETHER ON ACCOUNT OF NEGLIGENCE, BREACH, WARRANTY OR OTHERWISE SHALL IN NO EVENT EXCEED THE PURCHASE PRICE OF THE PARTICULAR ITEM OF EQUIPMENT WITH RESPECT TO WHICH SUCH LOSSES OR DAMAGE OCCURRED. IN NO EVENT WILL INNOVATECH BE LIABLE FOR ANY DAMAGES CAUSED BY BUYER'S FAILURE TO PERFORM BUYER'S RESPONSIBILITIES, OR FOR ANY LOST PROFITS, LOST PRODUCTION, LOSS OF ANTICIPATED PROFITS OF OTHER INCIDENTAL OR CONSEQUENTIAL DAMAGES, EVEN IF INNOVATECH HAS BEEN ADVISED OF THE POSSIBILITY OF SUCH DAMAGES. IN NO EVENT WILL INNOVATECH BE LIABLE FOR ANY DAMAGES RESULTING FROM ANY CLAIM AGAINST BUYER BY ANY OTHER PARTY.

### **FACTORY SERVICE**

A warranty will not be valid unless a written claim authorization comes with returned parts. Innovatech will not provide for any shipping costs for items returned for repair. To obtain warranty repairs, buyer must prepay shipment and return all warranty parts to Innovatech. Damage occurring during shipment is deemed the responsibility of the carrier and claims should be made directly with the carrier.

If equipment is sent to Innovatech for repair, it is the customer's responsibility to pay for any non-warranty replacement parts and the current hourly labor rates for any work done on any machine or part. Service is available upon request; call Innovatech for current labor rates.

## **Recommended Safety Maintenance Procedures for LP Gas Fueled Equipment**

**WARNING:** LP GAS is a combustible fuel that is heavier than air. Escaping gas may accumulate in low areas. The fuel cylinder should be mounted so that it does not extend outside the truck.

Turn off the fuel valve when the machine is not in service.

Use only Underwriters Laboratories or Factory Mutual listed LP-GAS hose assemblies where pressure fuel lines are required.

Install all threaded pipe fittings using an approved sealing compound.

Support fuel lines with clamps to minimize chafing and wear.

The LP-GAS solenoid valve should be wired to an automatic shut off switch (oil pressure or vacuum) to prevent leakage of gas in the event the ignition is on without the engine running.

Check the propane solenoid or vacuum shutoff valve for leakage as follows:

- 1) Turn fuel cylinder valve off, start and run engine until it stops.
- 2) Install a 0 to 30 PSI pressure gauge per instruction A or B.
  - a. Primary test of single units consisting of primary and secondary regulators.
  - b. Between the primary and secondary stage regulators when the propane system consists of two separate regulators.
- 3) Open cylinder fuel valve. The pressure gauge should maintain a zero reading. If it does not, replace or repair the solenoid valve or vacuum shut off valve.

An odor is added to LP-GAS to help detect leaks. If the gas odor is detected the fuel cylinder supply valve and engine should be turned off. Remove all sources of ignition, and ventilate the area. Make all of the necessary repairs before you turn the fuel supply on.

The complete LP-GAS system should be inspected periodically. Check all hoses for wear, connections for leaks and all parts for damage.

**NOTE:** Fuel hoses have a limited life expectancy. They should be checked for cracking and drying due to age. Hoses with visible signs of age should be replaced. Use only Underwriters Laboratories or Factory Mutual listed LP-GAS parts for replacements.

**NOTE:** The above information is provided as a guide. Consult the National Fire Protection Association pamphlet 58 for the safe storage and handling of liquefied petroleum gases.

Governmental safety regulations in your locality could vary. Check with the authority having jurisdiction to be sure that you meet all of their requirements. Contact the manufacturer for detailed service information.

**SERVICE WORK SHOULD BE PERFORMED BY QUALIFIED PERSONNEL ONLY**

## Carbon Monoxide Warning

**IMPORTANT!**

### ***Carbon Monoxide – What Service Personnel Should Know!***

#### **OSHA Requirement**

The CO level shall not exceed 35 ppm measured over an 8-hour period in the work environment.

How does parts per million (ppm) relate to percentage numbers?

One million parts per million equals one hundred percent of the engines exhaust gases.

- 10% CO EQUALS 100,000 PPM
- 1% CO EQUALS 10,000 PPM
- .1% CO EQUALS 1,000 PPM
- .01% CO EQUALS 100 PPM

For each one one-hundredth of one percent, you will have 100 ppm.

Example:  $.01\% \times 1,000,000 \text{ ppm CO} = 100 \text{ ppm CO}$ .

With adequate ventilation and following the enclosed adjustment instructions, you should be able to keep the carbon monoxide level below the OSHA requirement.

**We strongly recommend the use of a carbon monoxide analyzer.**



## **Propane Safety**

Liquid petroleum gas (propane) is flammable and potentially explosive. ALWAYS obey proper handling, lighting, and ventilating procedures provided by the manufacturer. In addition, obey the safety warnings and procedures below, which are provided to supplement, not replace, or substitute for the manufacturer's instructions.

**NOTE:** All new propane tanks must be purged before use.

### ***Precautions and Warnings***

Wear insulated gloves when you handle propane tanks.

Do not attempt to adjust the pressure regulator because the manufacturer sets it. Only a qualified liquid petroleum gas service technician should make any required adjustments.

Inspect the fuel lines and connectors before each job or at the beginning of the day, to detect any leaks or potential problems. NEVER check for propane leaks with an open flame.

NEVER use ammoniated household-type detergents to detect leaks or to clean any portion of the fuel system or the tank. These substances can cause cracks on brass fittings and on the fuel line. If the leak cannot be located, take the tank to a certified liquid petroleum gas service representative.

NEVER store or carry propane containers in a closed space or inside your passenger vehicle. Propane containers are equipped with safety devices that relieve excessive pressure by discharging gas to the atmosphere and leaks can occur at the fittings or connectors.

NEVER fill a tank more than 80% of capacity. Overfilling can cause uncontrolled gas flow, which in turn, can cause fire and/or explosion.

### ***What to Do If You Smell Gas***

- 1.) Immediately extinguish any open flames, pilot lights and all smoking materials.
- 2.) Turn the engine OFF; do not touch any electrical switches or other device that may produce sparks.
- 3.) Shut OFF the fuel flow switch.
- 4.) Open all doors and windows to allow maximum ventilation.
- 5.) Leave the area until the odor clears.
- 6.) Inspect the fuel lines and connectors to determine the source of the leak. Correct the problem before you use the Terminator 2100XM again.

## **OSHA FACT SHEETS**

### **CARBON MONOXIDE POISONING**

U.S. Department of Labor

Program Highlights

Fact Sheet No. OSHA 92-11

#### **What Is Carbon Monoxide?**

Carbon monoxide -- a colorless, odorless, tasteless gas -- is one of the most common industrial hazards. Mild poisoning can cause such symptoms as nausea, dizziness, or headaches while severe poisoning can result in brain or heart damage or even death. The incomplete burning of any material containing carbon, such as gasoline, natural gas, oil, propane coal, or wood, produces this poisonous gas. Forges, blast furnaces and coke ovens all produce carbon monoxide, but one of the most common sources of exposure in the workplace is the internal combustion engine.

Be suspicious of carbon monoxide poisoning if you develop headache, flushed face, dizziness, or weakness. Bear in mind that although carbon monoxide has no telltale odor, it may mix with gases that do have an odor. Thus, the smell of other gases does not mean the absence of carbon monoxide.

#### **Are You Likely To Be Poisoned?**

If you have a heart condition, your condition may be aggravated by carbon monoxide. Ingestion of barbiturates and alcohol may increase the gas health effects. Further, smokers will have a higher carboxyhemoglobin than nonsmokers have, and therefore face higher risk from carbon monoxide exposures on the job.

Harmful levels of carbon monoxide are a potential danger to: acetylene workers, blast furnace workers, boiler room workers, brewery workers, carbon black makers, coke oven workers, customs workers, diesel engine operators, dock workers, garage mechanics, metal oxide reducers, miners, organic chemical synthesizers, petroleum refinery workers, pulp and paper workers, steel workers, toll booth and tunnel attendants, and warehouse workers.

#### **How Does Carbon Monoxide Harm You?**

Large amounts of carbon monoxide can kill in minutes. The more carbon monoxide in the air and the longer you are exposed to it, the greater the danger. Any one or more of the following symptoms can signal carbon monoxide poisoning: headaches, tightness across the chest, nausea, drowsiness, inattention, or fatigue. As the amount of carbon monoxide in the air increases, symptoms that are more serious may develop such as lack of coordination, weakness, and confusion.

The poisoning can be reversed if caught in time. However, even if you recover, acute poisoning may result in permanent damage to the parts of your body that require a lot of oxygen, such as the heart and brain. There is a significant reproductive risk involved with carbon monoxide. An American Journal of Industrial Medicine article quotes two studies showing that acute carbon monoxide exposures that were non-lethal to the mother were associated with fetal loss.

#### **What Can You Do About Carbon Monoxide?**

If you suspect carbon monoxide, get out of the area and into the open fresh air. Remove anyone overcome by the gas immediately and give the person artificial respiration. Call for a doctor and continue the artificial respiration until the doctor arrives or the person recovers. Prompt action can make the difference between life and death.

## **Suggestions to Prevent Carbon Monoxide Poisoning**

### **Employers**

- 1.) Install an effective ventilation system to remove poisonous carbon monoxide from the area.
- 2.) Maintain appliances and equipment in good order, adjusting flames, burners, and drafts to reduce the formation of carbon monoxide.
- 3.) Consider switching from fossil fuel-powered equipment to battery-powered machinery when possible.
- 4.) Provide approved respirators for emergency use. Regular respirators (negative pressure) will not work in this atmosphere. If necessary, provide an independent air supply to workers.
- 5.) Install carbon monoxide monitors or regularly test air in areas when carbon monoxide is generated or used.
- 6.) Provide pre-placement and periodic medical examinations for workers who may be exposed to carbon monoxide. If possible, transfer affected workers to other jobs.
- 7.) Instruct workers in the hazards of carbon monoxide and train them in the proper use of respirators.

### **Workers**

- 1.) Report to your employer any condition that might make carbon monoxide form or accumulate.
- 2.) Be alert to ventilation problems, especially in enclosed areas where gases of burning fuels may be released.
- 3.) Report complaints early. Do not overexert yourself if you suspect carbon monoxide poisoning. Physical activity increases the body's need for oxygen and thus increases the danger of poisoning.
- 4.) In you get sick, do not forget to tell you doctor about the possibility of exposure to carbon monoxide.
- 5.) Think carefully about your smoking habits. Tobacco, when burned, releases carbon monoxide, which reduces the oxygen-carrying ability of the blood, even before any industrial exposure is added.

### **What Are The Federal Standards?**

The Occupational Safety and Health Administration (OSHA) standard for exposure to carbon monoxide prohibits workers' exposure to more than 35 parts of the gas per million parts of air (ppm), averaged over an 8-hour workday. There is also a ceiling limit of 200 ppm (as measured over a 15-minute period.)

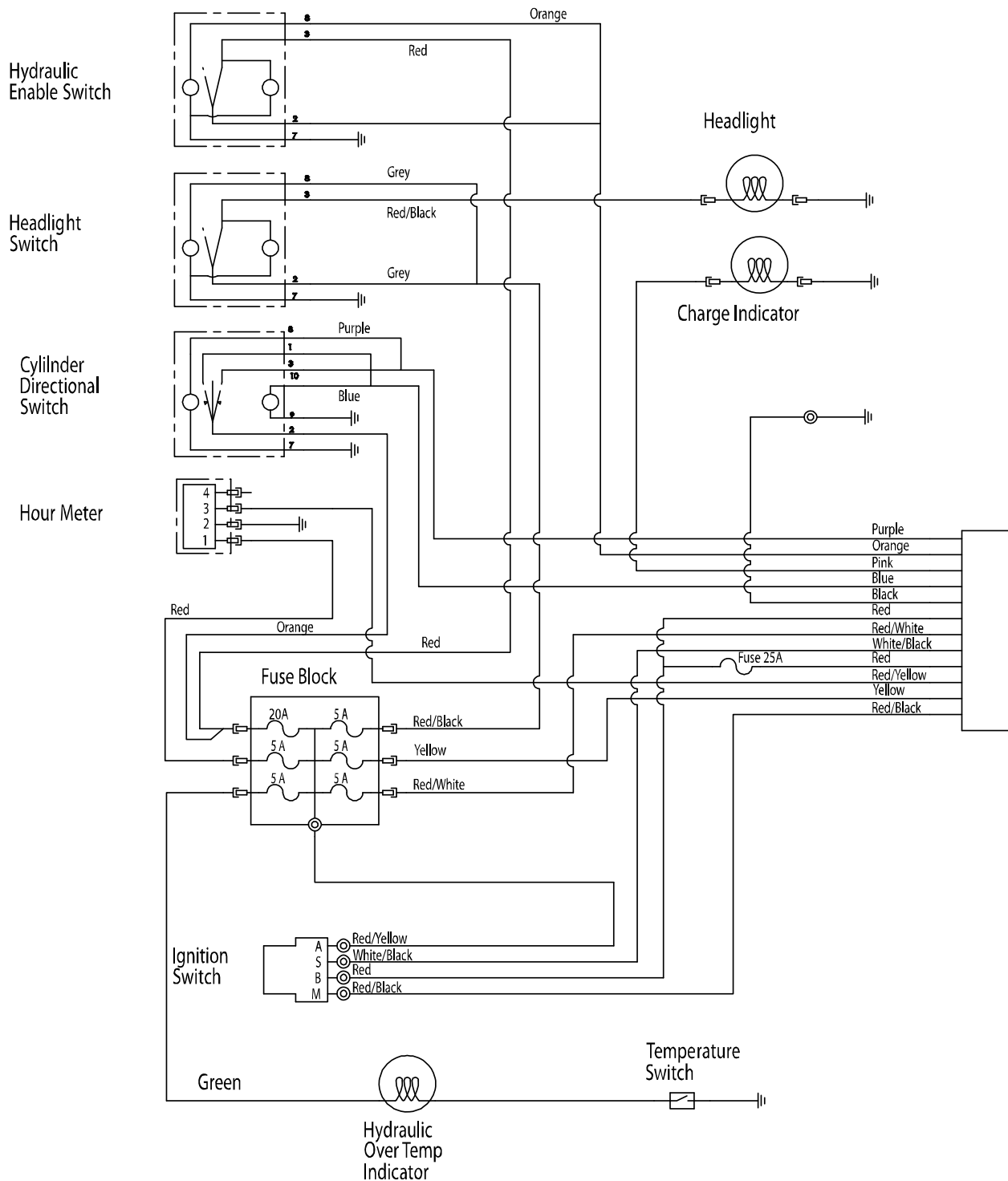
\* This is one of a series of fact sheets highlighting U.S. Department of Labor programs. It is intended as a general description only and does not carry the force of legal opinion.

## Terminator 2100XM Specifications

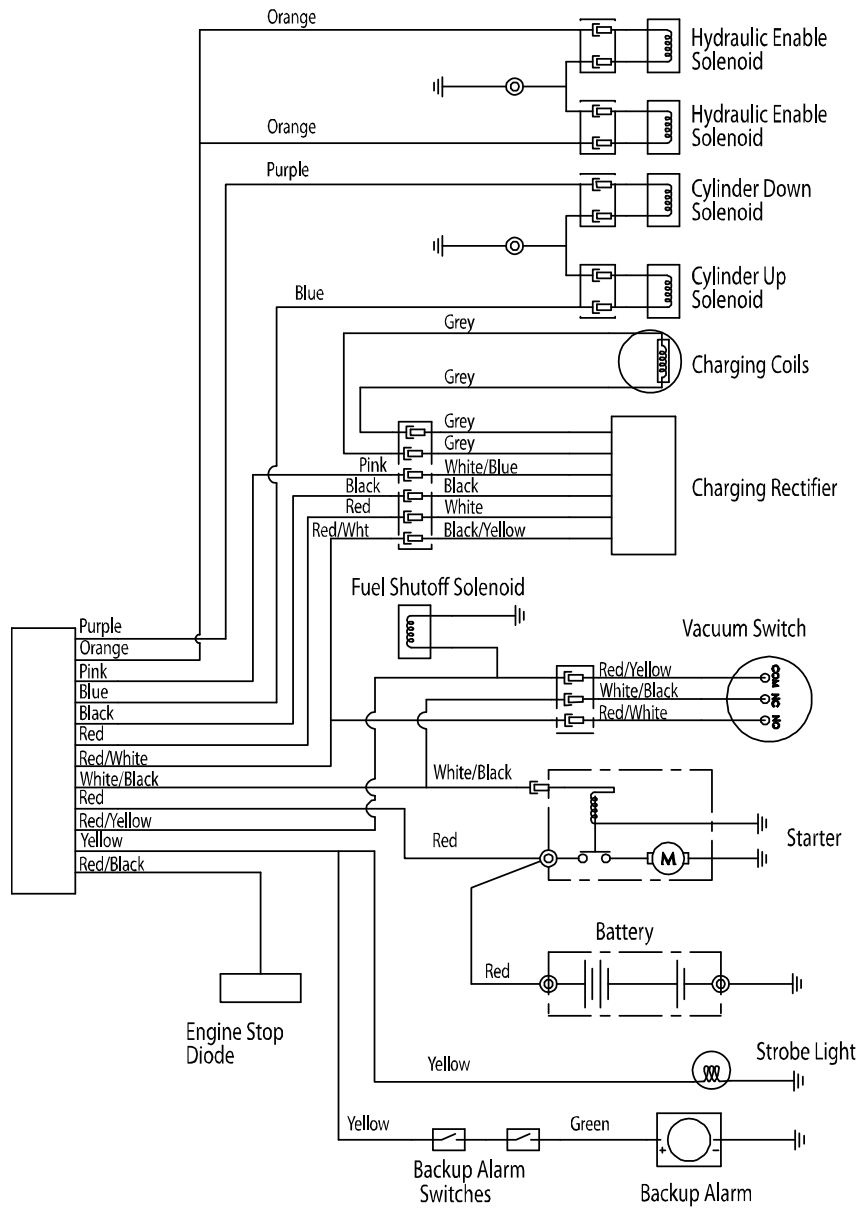
<b>Dimension</b>	<b>Units</b>
Width	26in (66cm)
Height	56in (142.25cm)
Length	58in (147.5cm)
Length with jaw removed	46in (116.75cm)
<b>Weight</b>	<b>Units</b>
Empty Weight	1100lb (499kg)
Removable Weight	470lb (213kg)
Maximum Weight	1620lb (735kg)
Standard Weight	1450lb (658kg) (6 front, 2 rear, 2 wheel weights and jaw)
Front Jaw down pressure	275lb (125kg) (13" jaw with blade)
Caster wheel down pressure	540lb (245kg)
Rear Wheel down pressure	915lb (415kg)
<b>Engine</b>	<b>Units</b>
Engine Type and Model	Honda GX620K1
Horse Power	20HP @ 3,600rpm
Torque	32.5lb-ft @ 2,500rpm
Maximum RPM +/- 150rpm	3,850rpm
<b>Fuel and Oil</b>	<b>Units</b>
Fuel Type	LPG (Propane content of 95% or higher)
Fuel Consumption	240g/PSh, .532lb/PSh (326g/kwh)
Engine oil type	SAE 30, API SJ
Engine oil capacity	1.48 US qts (1.1L)
<b>Hydraulic Oil</b>	<b>Units</b>
Hydraulic oil type	60SUS (10cSt)
Hydraulic oil temperature rating	Continuous: 195°F (90°C), Interim: 212°F (100°C), Peak: 230°F (110°C),
Hydraulic oil capacity	3 US gallons (11.35L)

# Terminator 2100 XM Electrical Diagrams

P/N 24-0085 Console Side Wiring Harness

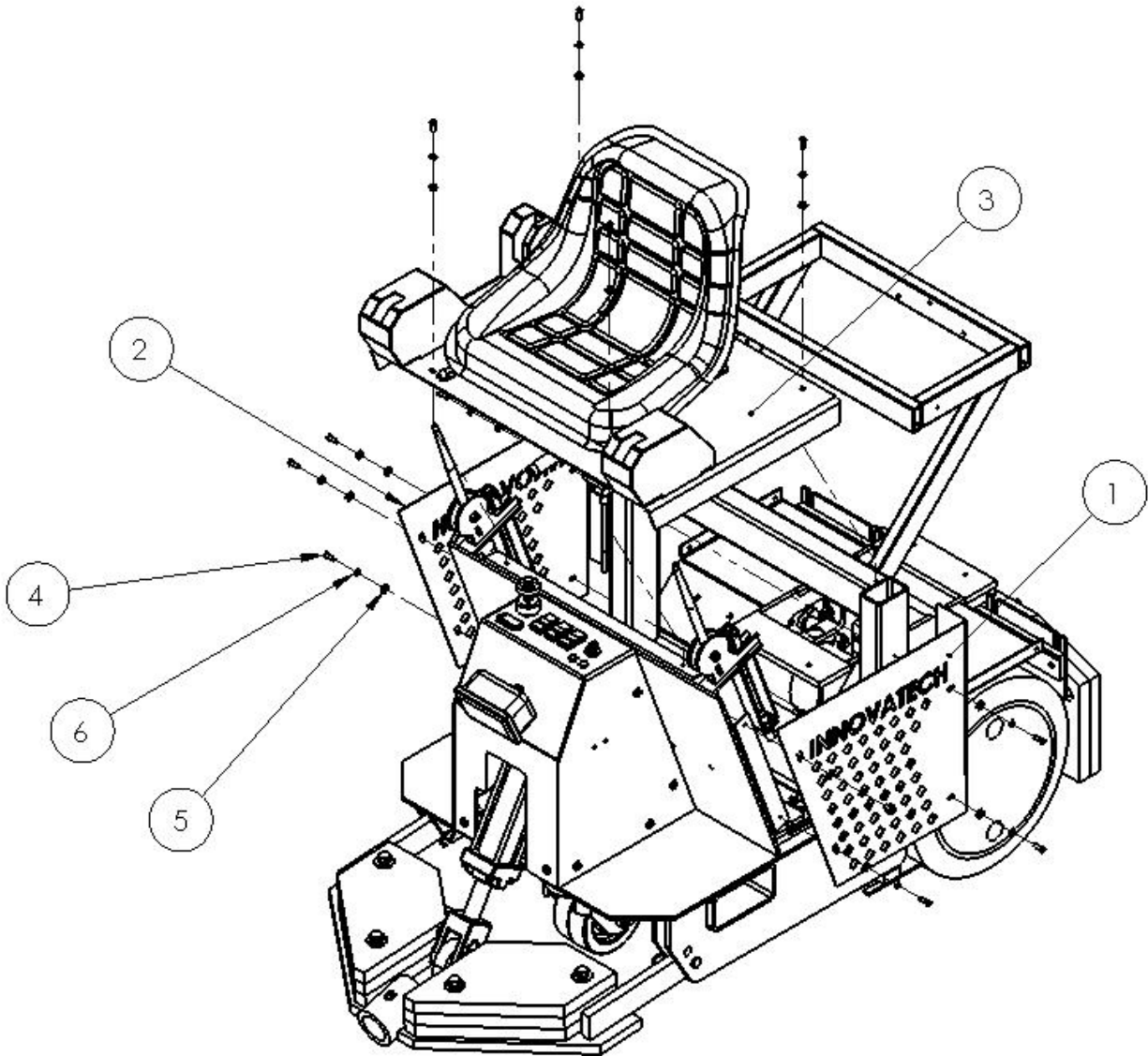


P/N 24-0086 - Engine Side Wiring Harness



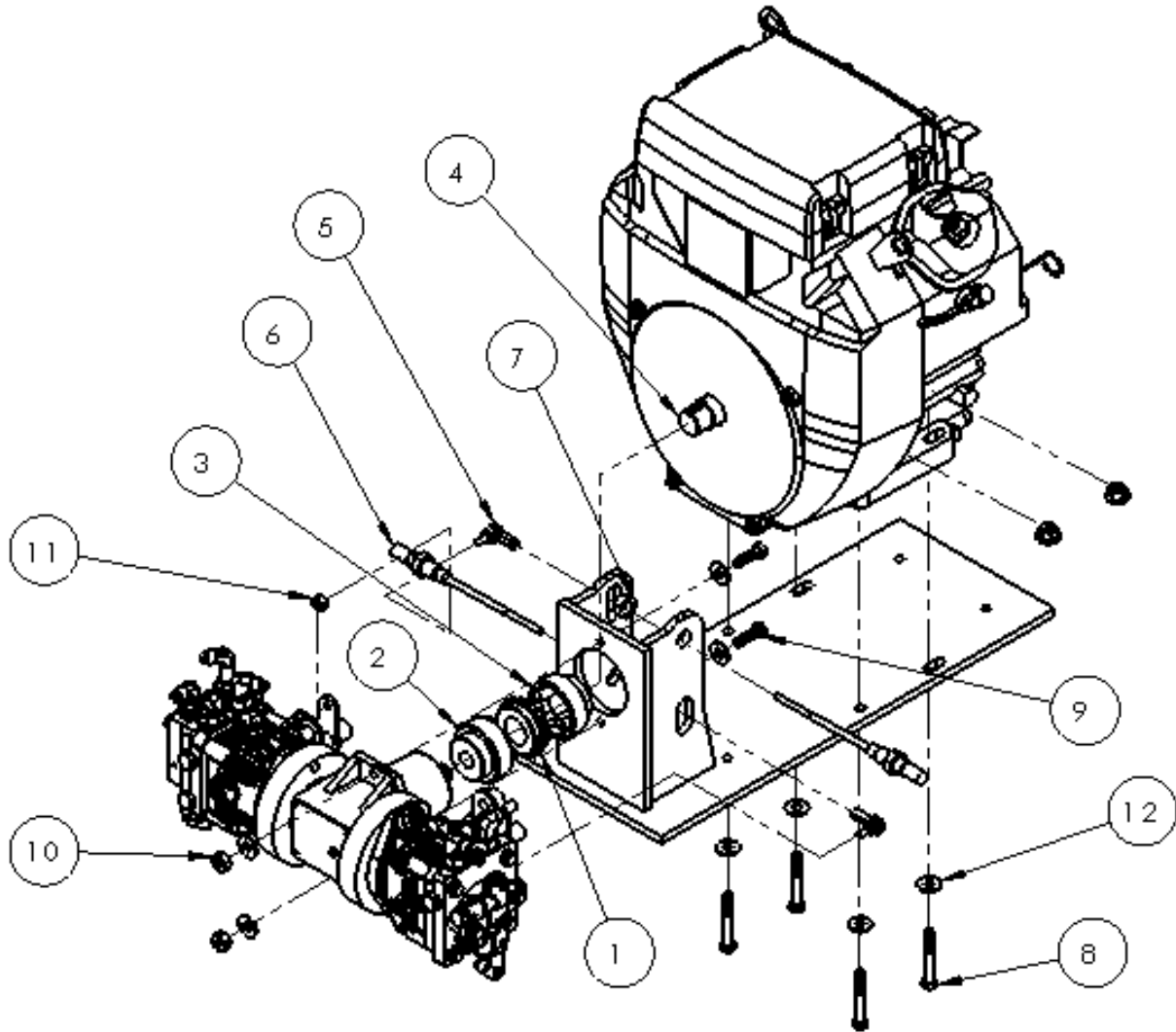
## Terminator 2100XM Parts Catalog

### Console and Door Assembly



ITEM	PART NUMBER	DESCRIPTION	QUANTITY
1	52-0080	SIDE PANEL, LEFT	1
2	52-0081	SIDE PANEL, RIGHT	1
3	99-0151	CONSOLE ASSEMBLY	1
4	11-0152	¼-20X5/8 BHHCS	12
5	11-0033	¼ FLAT WASHER	12
6	11-0069	¼ LOCK WASHER	12

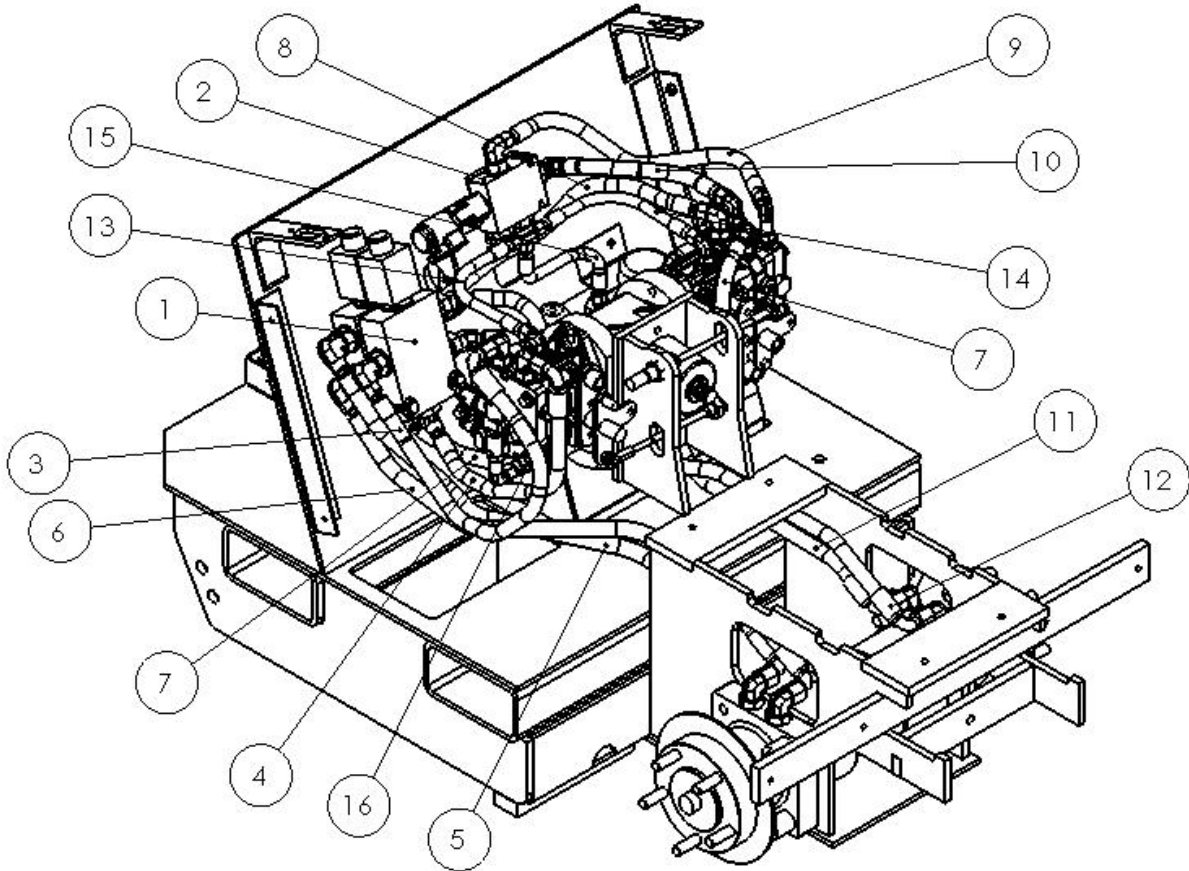
## Engine and Pump Assembly



ITEM	PART NUMBER	DESCRIPTION	QUANTITY
1	35-0030	BLUE/GREEN RUBBER COUPLER SPIDER	1
2	35-0030	SPLINED COUPLER, METAL BUSHING INSERT, CLAMP STYLE	1
3	35-0029	1 1/8 SET SCREW STYLE SHAFT COUPLER	1
4	51-0479	STUB SHAFT FOR GX620	1
5	32-0017	1/4-20 FEMALE BALL JOINT WITH STUD	2
6	32-0016	PUSH/PULL CABLE 36"	2
7	32-0016	CONTROL CABLE NUTS	4
8	11-0267	3/8 -16X2.25 HH BOLT G-8	4
9	11-0008	3/8 -16X1.5 HH BOLT	2
10	11-0026	3/8-16 NYLON HEX NUT	6
11	11-0266	5/16 -24 NYLON HEX NUT	2
12	11-0035	3/8 FLAT WASHER	12

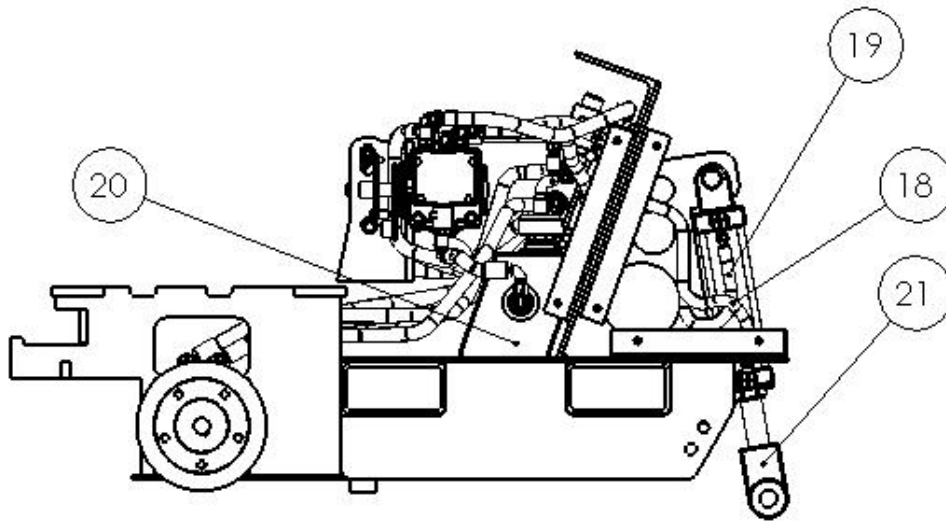
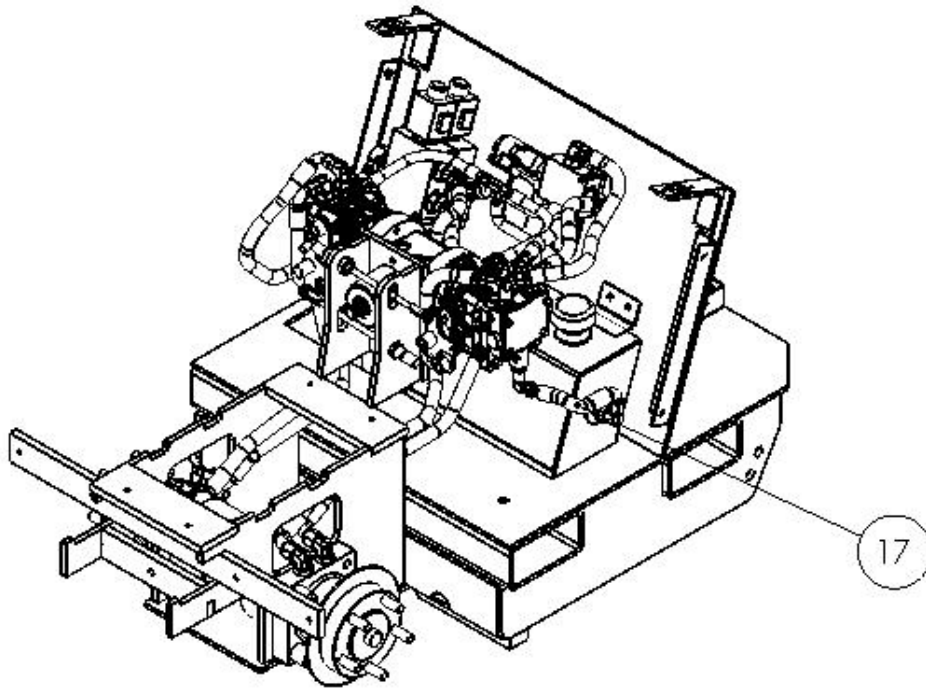


**Hydraulic Assembly**



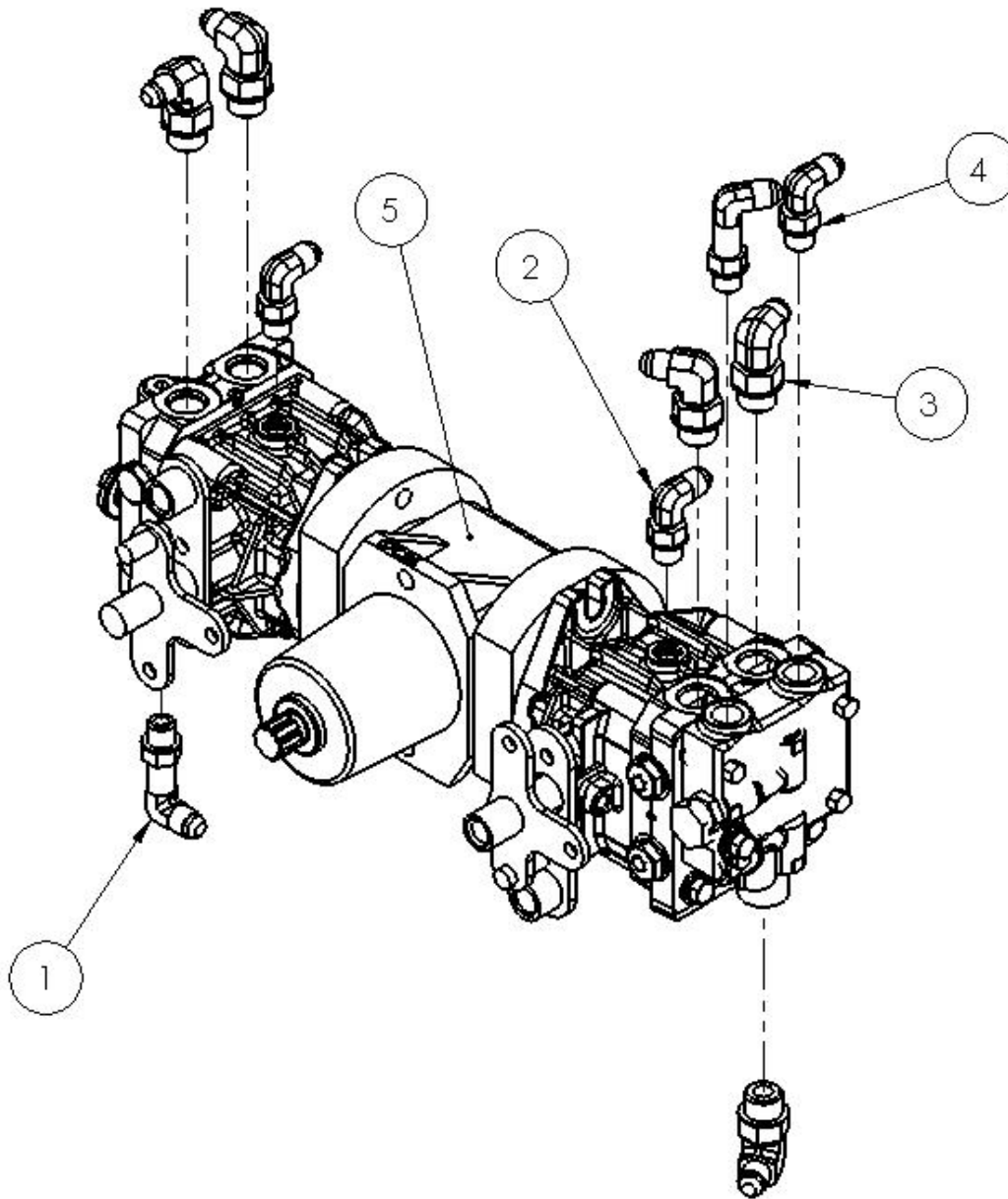
ITEM	PART NUMBER	DESCRIPTION	QUANTITY
1	96-0170	WHEEL MOTOR LOCK OFF VALVE ASSEMBLY	2
2	96-0172	CYLINDER VALVE ASSEMBLY	1
3	31-0113	LEFT, FRONT PUMP TO LOCK-OFF	1
4	31-0115	LEFT, REAR, PUMP TO LOCK-OFF	1
5	31-0117	LEFT, FRONT, WHEEL MOTOR	1
6	31-0118	LEFT, REAR, WHEEL MOTOR	1
7	31-0116	RIGHT, REAR, PUMP TO LOCK-OFF	1
8	31-0114	RIGHT, FRONT, PUMP TO LOCK-OFF	1
9	31-0110	REAR, CHARGE PUMP TO CYLINDER VALVE	1
10	31-0109	FRONT, CHARGE PUMP TO CYLINDER VALVE	1
11	31-0119	RIGHT, FRONT, WHEEL MOTOR	1
12	31-0120	RIGHT, REAR, WHEEL MOTOR	1
13	31-0121	LEFT, PUMP CASE DRAIN	1
14	31-0122	RIGHT, PUMP CASE DRAIN	1
15	31-0123	POST T, CASE DRAIN	1
16	31-0111	LEFT, PUMP SUCTION	1

**Hydraulic Assembly Continued**



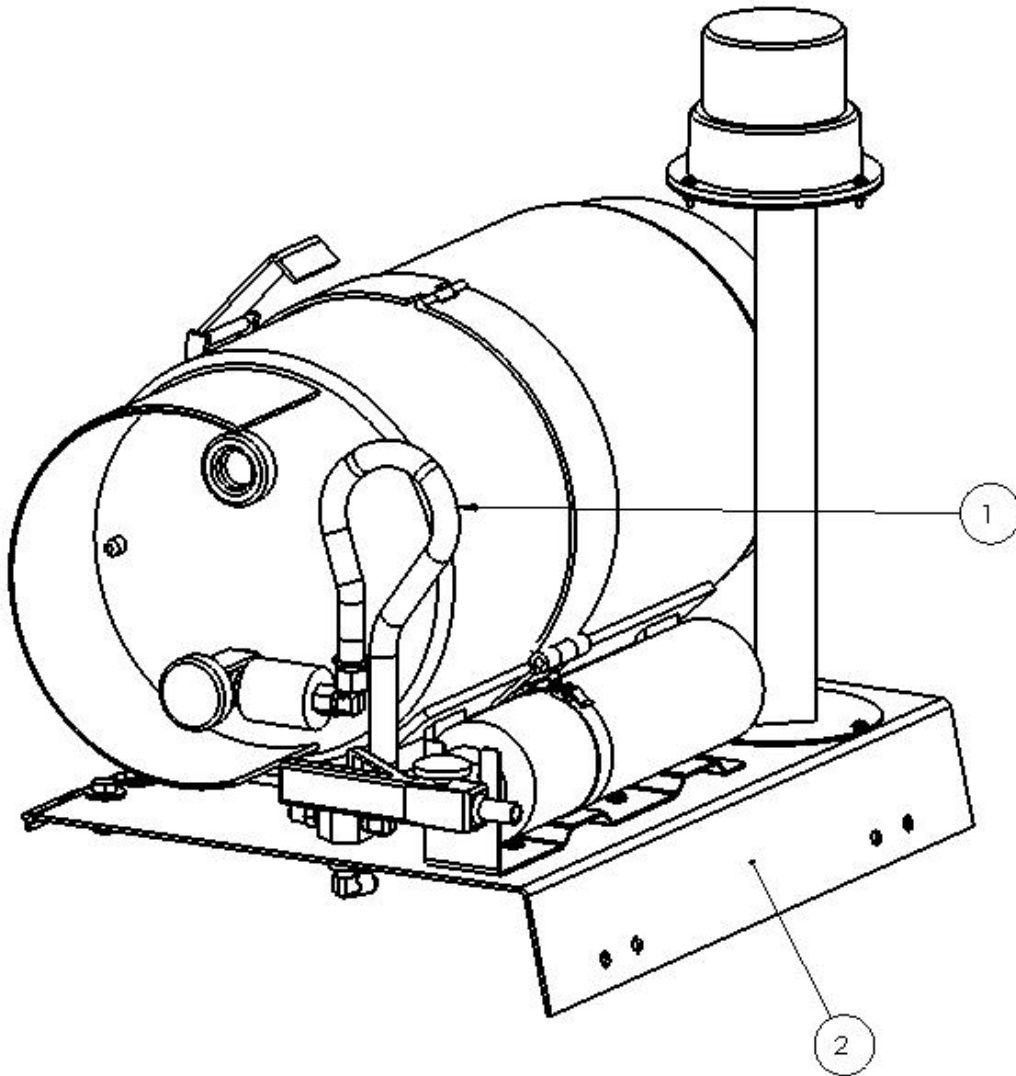
ITEM	PART NUMBER	DESCRIPTION	QUANTITY
17	31-0112	RIGHT, PUMP SUCTION	1
18	31-0107	BOTTOM, RIGHT, VALVE TO CYLINDER	1
19	31-0108	TOP, LEFT, VALVE TO CYLINDER	1
20	96-0169	HYDRAULIC TANK, HYDRAULIC ASSEMBLY	1
21	96-0171	CYLINDER ASSEMBLY	1

**10cc Pump and T-Case Fitting Assembly**



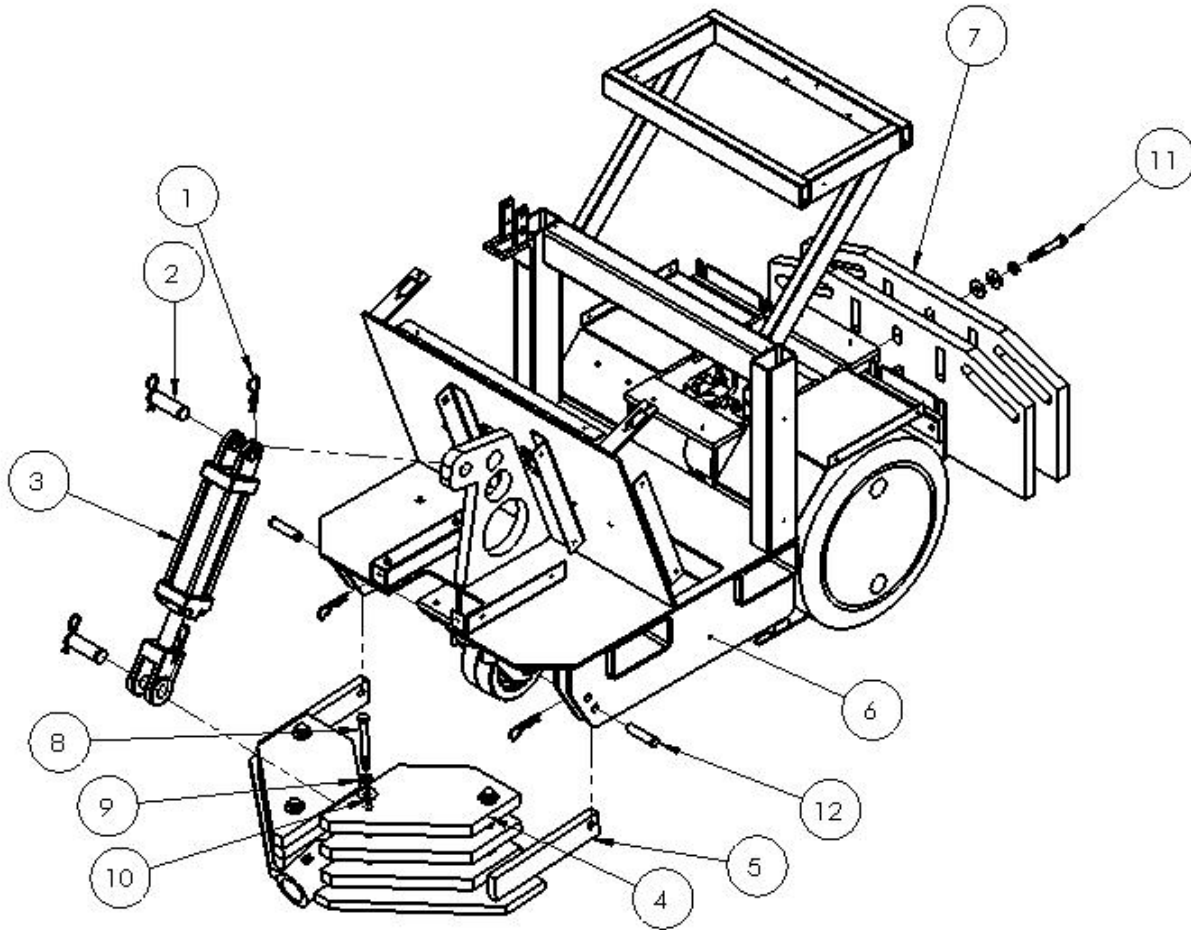
ITEM	PART NUMBER	DESCRIPTION	QUANTITY
1	31-0102	HYDRAULIC FITTING 6-CC50X	2
2	31-0137	HYDRAULIC FITTING 4-6-C50X	2
3	31-0104	HYDRAULIC FITTING 6-8-C50X	5
4	31-0056	HYDRAULIC FITTING 6-C50X	1
5	33-0008	HYDROSTATIC PUMP T DRIVE UNIT (T-2100XM)	1

**Propane Tank Position with Hose**



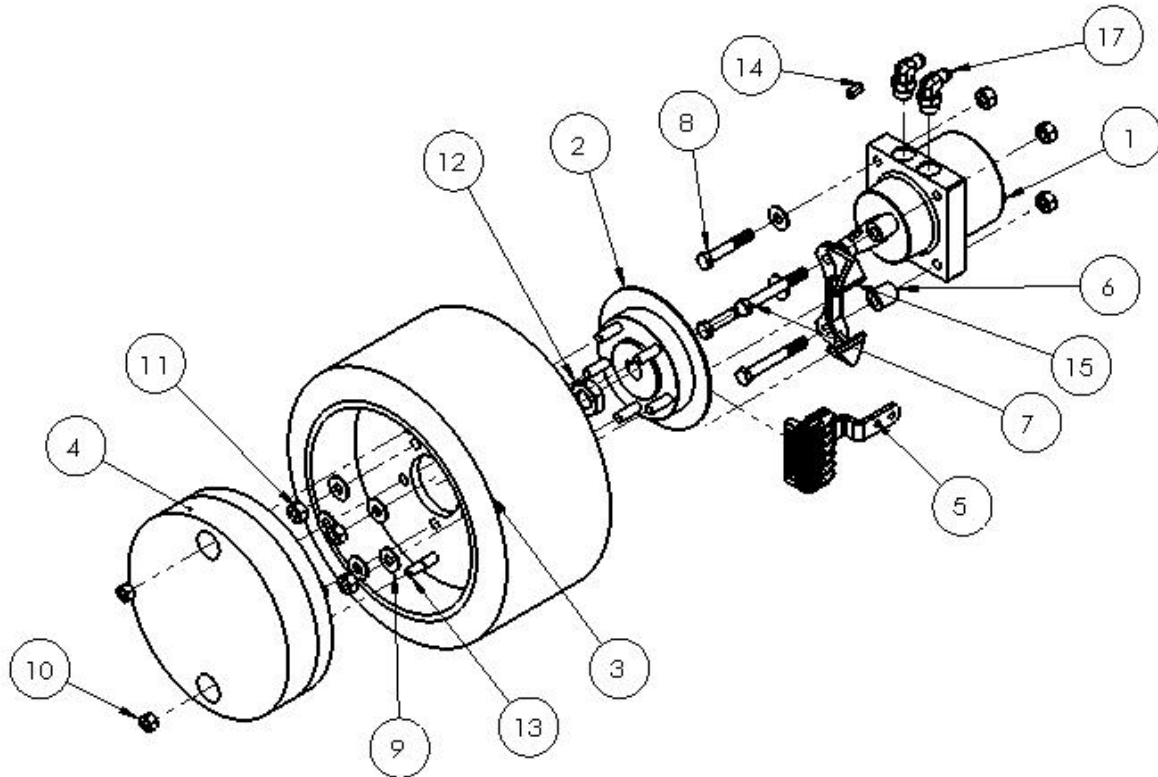
ITEM	PART NUMBER	DESCRIPTION	QUANTITY
1	41-0026	PROPANE HOSE, TANK TO BULKHEAD	1
2	96-0142	HOOD ASSEMBLY	1

**Lower Chassis and Weight Assembly**



ITEM	PART NUMBER	DESCRIPTION	QUANTITY
1	11-0052	5/8 HITCH PIN	4
2	34-0007	CYLINDER PIN	2
3	34-0007	CYLINDER	1
4	51-0474	FRONT WEIGHT T-2100XM	6
5	53-0089	FRONT JAW T-2100XM	1
6	53-0081	FRAME ASSEMBLY	1
7	51-0473	REAR WEIGHT	2
8	11-0014	½-13X4.5 HH BOLT	4
9	11-0041	½ SPLIT LOCK WASHER	5
10	11-0036	½ FLAT WASHER	6
11	11-0013	½-13X3 HH BOLT	1
12	11-0082	JAW PIN 2.5"	

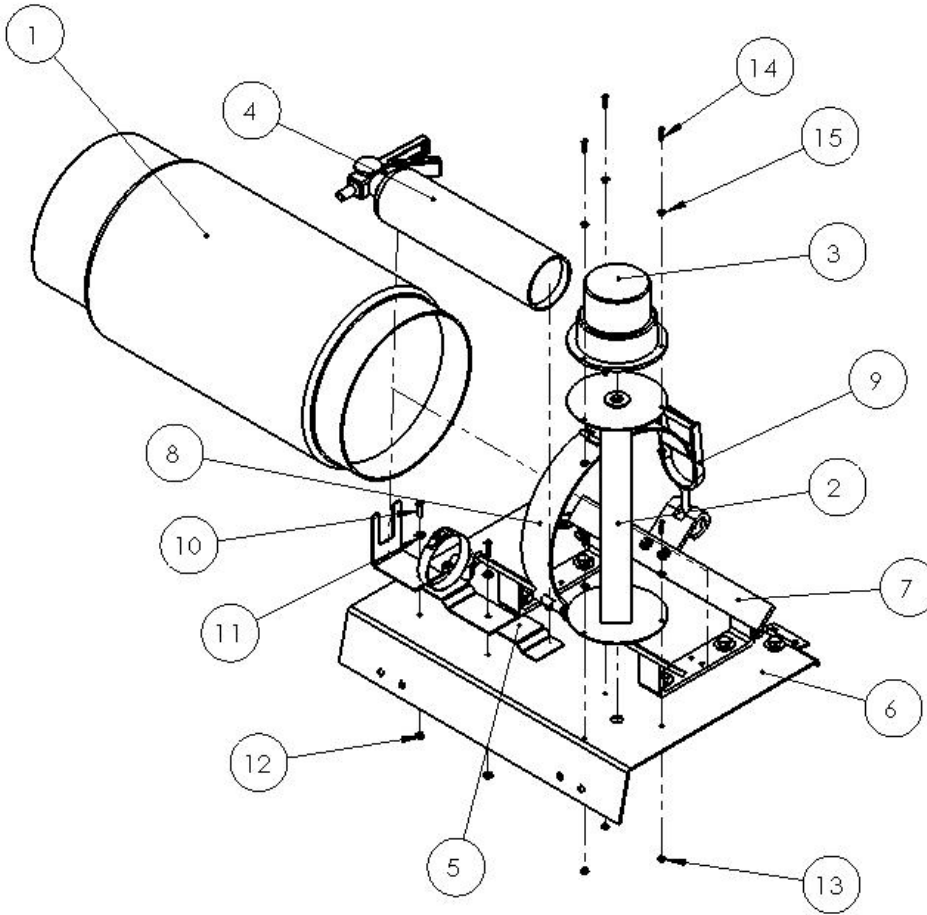
## Wheel and Brake Assembly



NOTE: PART NO. 96-0148 RIGHT WHEEL AND BRAKE ASSEMBLY ARE NOT SHOWN.

ITEM	PART NUMBER	DESCRIPTION	QUANTITY
1	33-0005 LEFT 33-0006 RIGHT	WHEEL MOTOR (RIGHT NOT SHOWN)	1
2	51-0128	HUB	1
3	13-0187	3' REAR WHEEL	1
4	53-0104	WHEEL WEIGHT	1
5	13-0020 LEFT 13-0021 RIGHT	LEFT BRAKE CALIPER (RIGHT NOT SHOWN)	1
6	51-0481	E-BRAKE CALIPER BRACKET SPACER	2
7	11-0014	1/2 -13X4 HH BOLT	2
8	11-0013	1/2 -13X3 HH BOLT	2
9	11-0230	1/2 FLAT WASHER	7
10	11-0028	1/2-13 NYLON HEX NUT	6
11	11-0029	1/2 -20 NYLON HEX NUT	5
12	35-0013	WHEEL MOTOR SL PACK NUT	1
13	11-0187	DOUBLE ENDED STUD 1/2-13X2.5	2
14	34-0006	SHAFT KEY	1
15	13-0022	E-BRAKE CALIPER MOUNT	1
17	31-0053	HYDRAULIC FITTING 8-10-C50X	2

**Strobe Light Bracket and Hood Assembly**



ITEM	PART NUMBER	DESCRIPTION	QUANTITY
1	44-0025	PROPANE TANK	1
2	53-0079	STROBE LIGHT BRACKET	1
3	22-0006	STROBE LIGHT	1
4	42-0001	FIRE EXTINGUISHER	1
5	42-0001	FIRE EXTINGUISHER BRACKET	1
6	52-0073	HOOD	1
7	44-0007	PROPANE BRACKET	1
8	44-0007	PROPANE BRACKET FRONT STRAP	1
9	44-0007	PROPANE BRACKET LATCH	1
10	11-0050	10-24 X .75 PHMS ZP	2
11	11-0030	#10 FLAT WASHER	2
12	11-0023	10-24 NYLOCK NUT	2
13	11-0021	6-32 NYLOCK NUT	6
14	11-0085	6-32 X .50 PHMS ZP	6
15	11-0185	#6 FLAT WASHER	6