

# T-2100 Pro Parts Manual



Revision 1.0

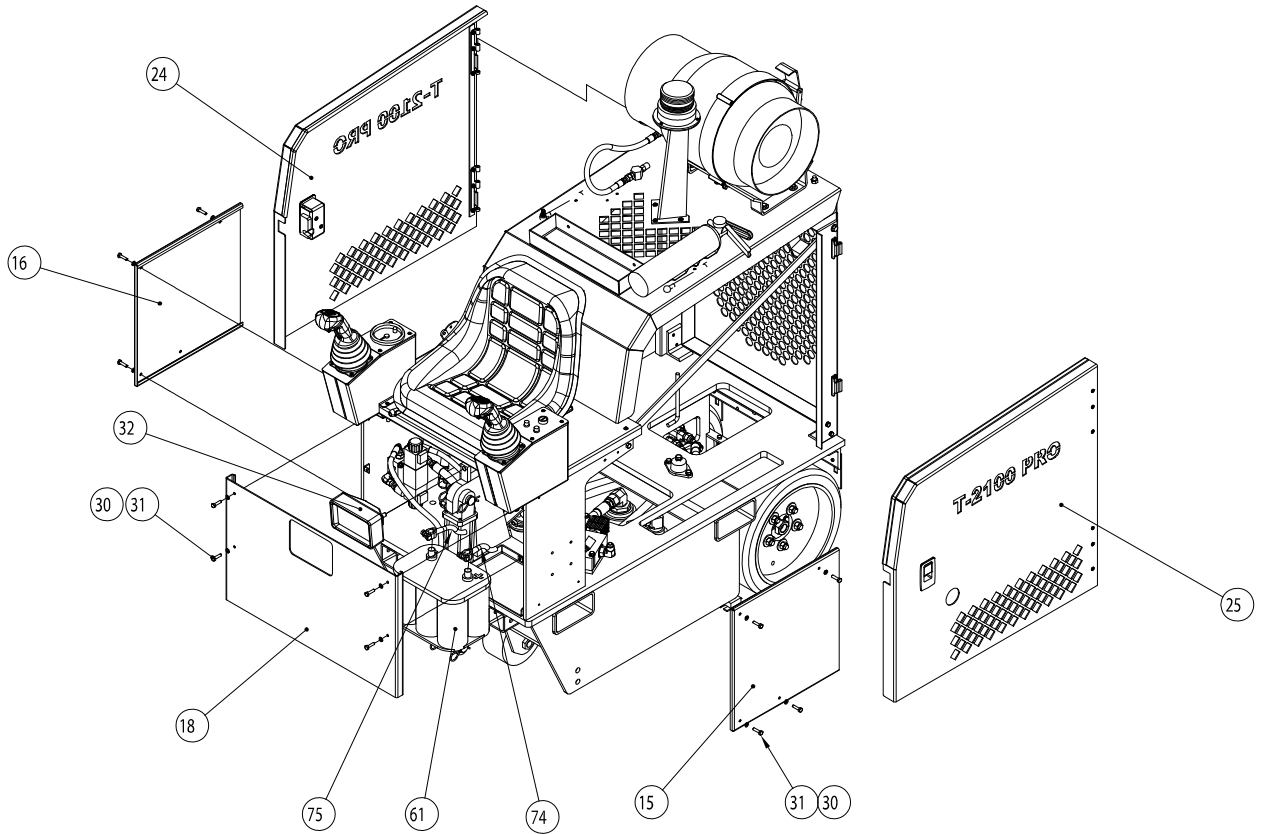
Updated 6/16/15

## Table of Contents

Door & Panel Assembly .....	4
Seat & Control Assembly .....	5
Top Cover Assembly .....	7
Engine Installation.....	9
Engine Sub-Assembly .....	11
Hydraulic Cylinder Valve Sub-Assembly .....	13
Hydraulic Valve 1 Sub-Assembly .....	14
Hydraulic Hose & Filter Sub-Assembly .....	15
Hydraulic Cylinder Sub-Assembly .....	17
Hydraulic Valve 2 Assembly.....	18
Hydraulic Pump Sub-Assembly.....	19
Right Door Assembly .....	21
Left Door Assembly.....	22
Wheel Motor Assembly .....	23
Joystick Assembly.....	25
Foot Rest & Front Jaw Assembly .....	27
Front Jaw & Weight Assembly .....	28
Hydraulic Schematic .....	29
Electrical Schematic.....	30

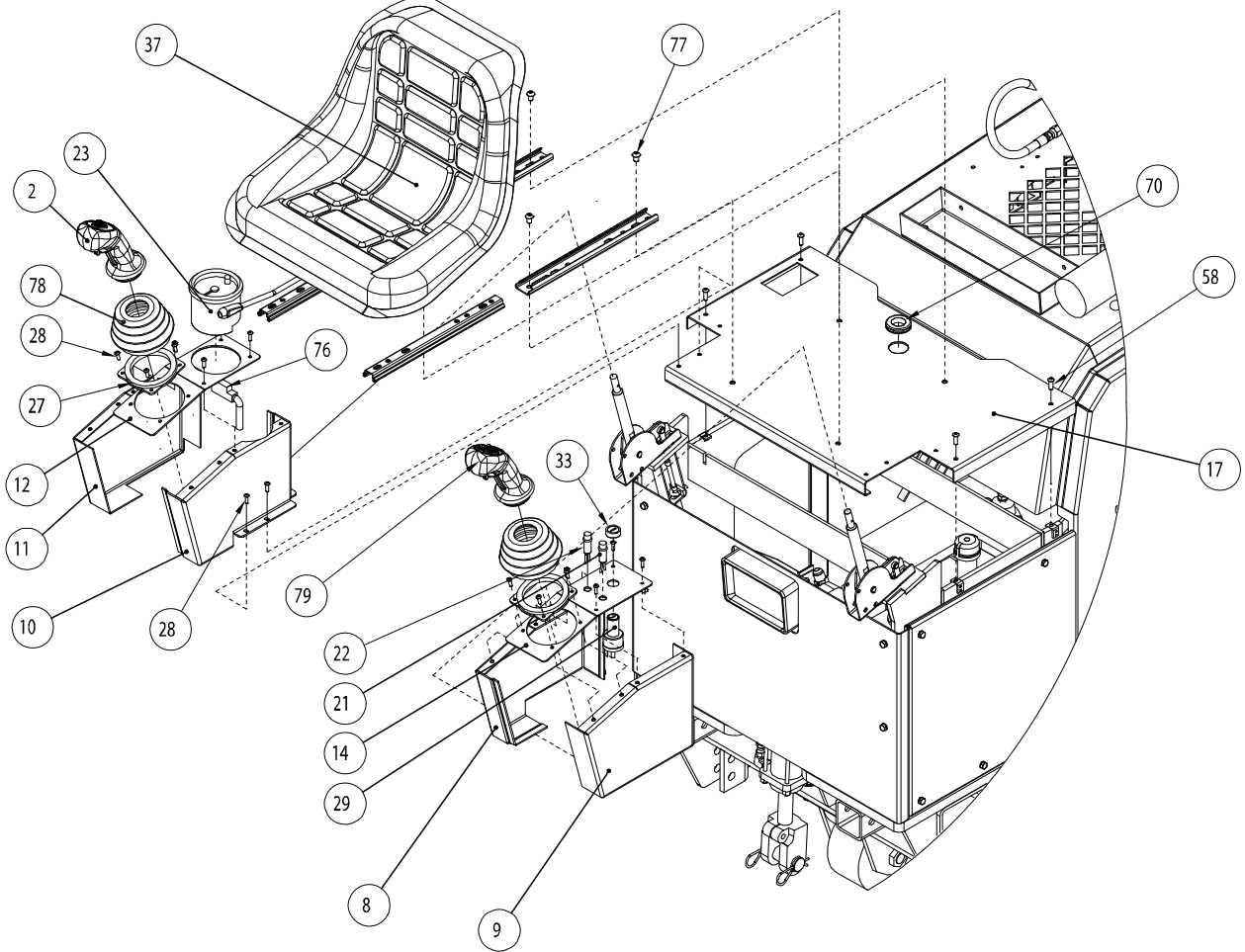
This page has been intentionally left blank.

## Door & Panel Assembly



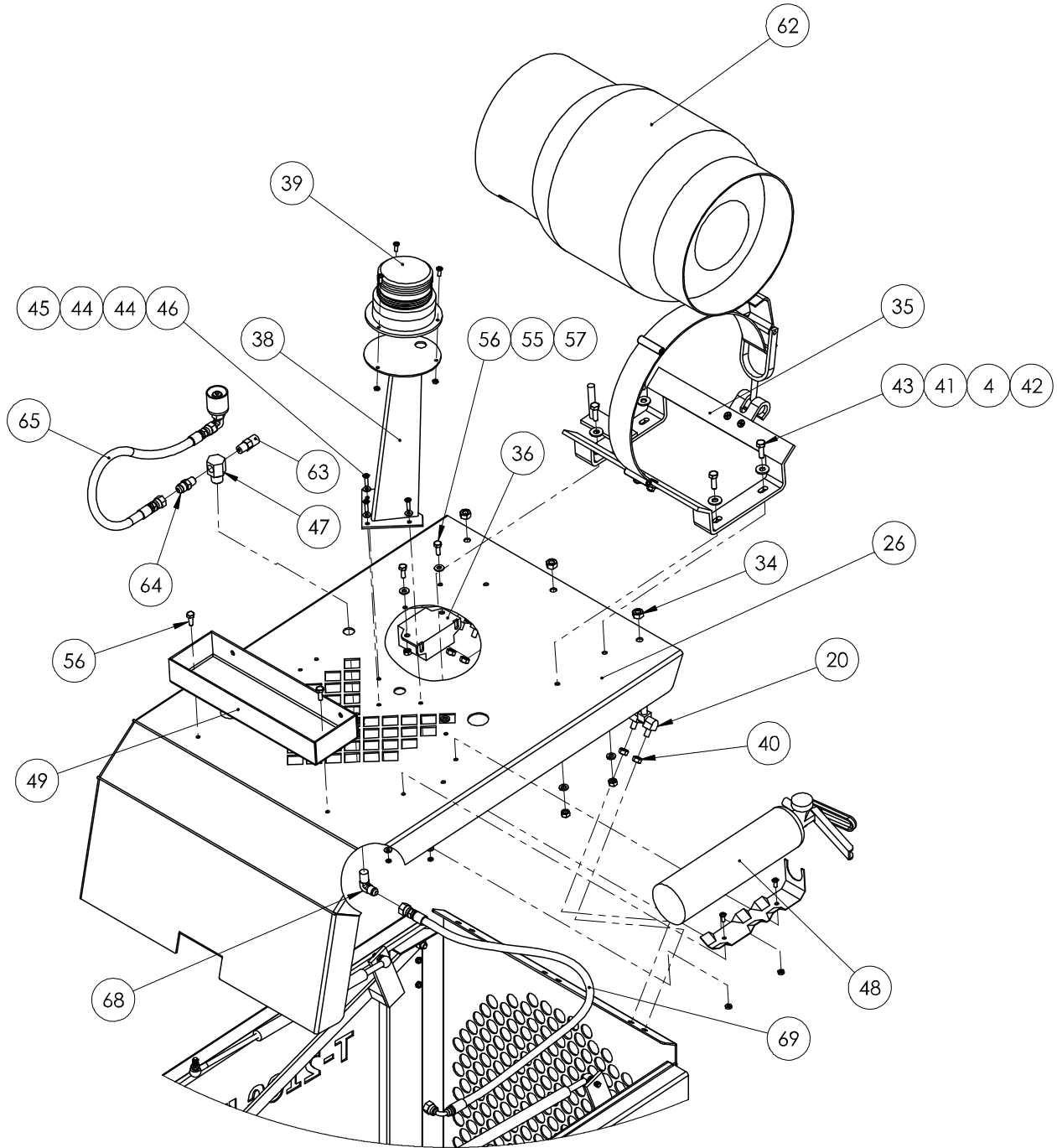
Item No.	Part Number	Description	Qty
15	53-0135	Console Side Panel	1
16	53-0136	Console Side Panel	1
18	53-0138	Console Front Panel	1
24	96-0180	Right Door Sub-Assembly	1
25	96-0181	Left Door Sub-Assembly	1
30	11-0033	Steel SAE Flat Washer, 1/4" ZP	12
31	11-0059	Alloy Steel Hex Head Cap Screw, GR8: 1/4"-20x1" ZP	12
32	22-0004	Headlight	1
61	23-0011	Battery	1
74	24-0069	Battery Cable, Positive	1
75	24-0070	Battery Cable, Negative	1

### Seat & Control Assembly



ITEM NO	PART NUMBER	DESCRIPTION	QTY.
2	24-0077	Joystick w/Wiring Harness, Right Side	1
3	13-0194	Joystick Boot	2
8	53-0127	Joystick Cover, Left Inside	1
9	53-0128	Joystick Cover, Left Outside	1
10	53-0129	Joystick Cover, Right Inside	1
11	53-0130	Joystick Cover, Right Outside	1
12	53-0131	Joystick Cover, Right Top	1
17	53-0137	Console Top Panel	1
21	21-0007	Red Indicator Light	1
21	53-0132	Joystick Cover, Left Top	1
22	21-0008	Amber Indicator Light	1
23	21-0013	Display, 3k RPM Tachometer	1
27	13-0195	Joystick Boot Adjustable Bracket	2
28	11-0289	Button Head Socket Cap Screw, #10-24x5/8", ZP	22
29	24-0076	Key Switch Wiring Harness	1
33	Part of 24-0076	Key Switch Nut and Protective Cover	1
37	13-0257	Seat Assembly, W/Armrest, Seatbelt and Micro switch	1
58	11-0276	Screw, button head, hex socket, 1/4 - 28 x 3/4, 18-8 SS	4
70	13-0269	Push-in Grommet 1" ID, 1-3/4" OD	1
76	24-0079	Wiring Harness, Tachometer Display	1
77	12-0022-12	Screw, Button Head Socket, M8 x 1.25 x 12mm, Black	4
79	24-0078	Joystick w/Wiring Harness, Left Side	1

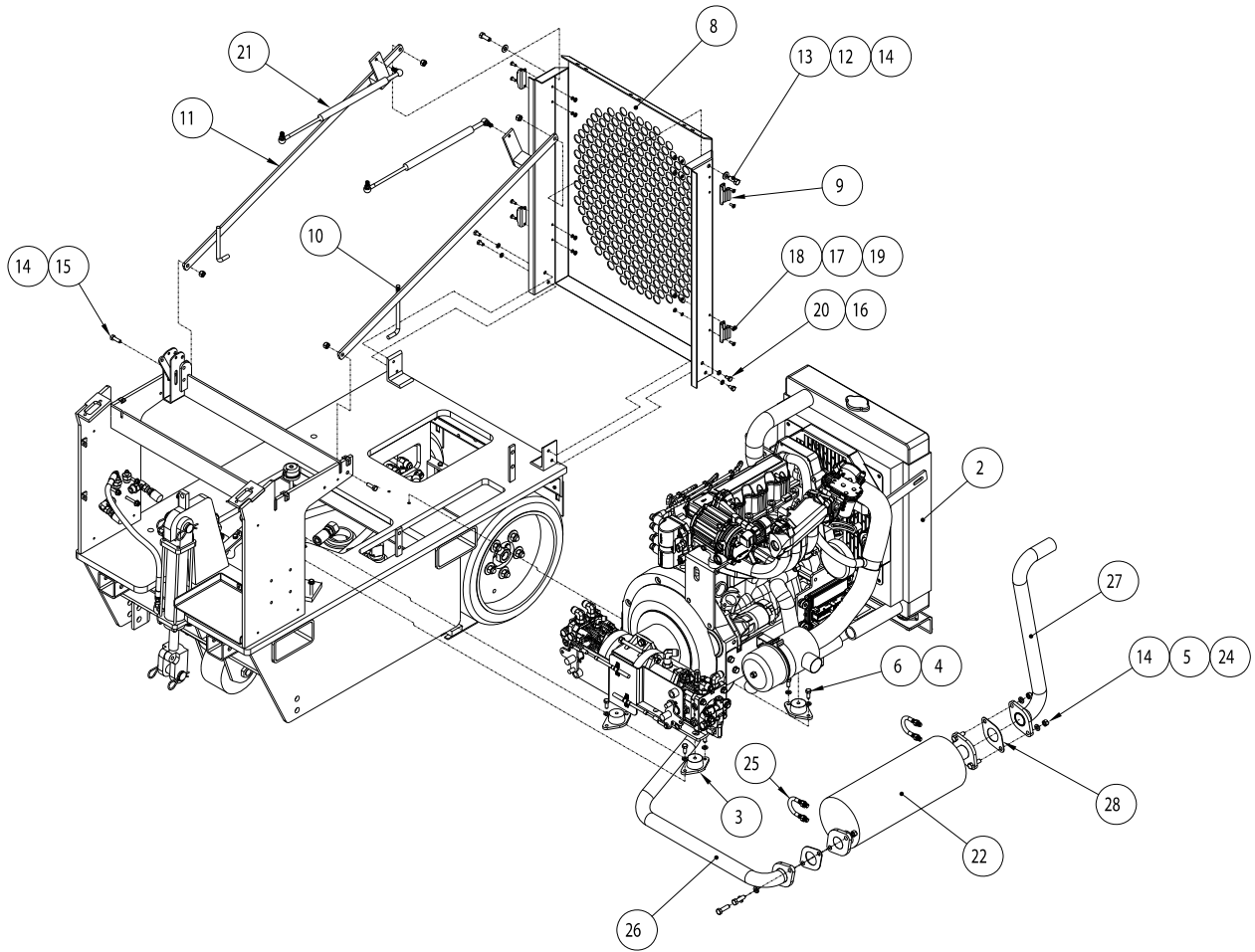
### Top Cover Assembly



ITEM NO	PART NUMBER	DESCRIPTION	QTY.
4	11-0040	Lock Washer ZP: 5/16	12
20	13-0234	Hinge, Inline Bolt-on,	3
26	53-0099	Top Cover	1
34	12-0021-10	Hex Nut, Nylon Insert, M10, Class 8, ZP	3
35	44-0047	Propane Tank Bracket, Horizontal Mount, 20# or 33# Tank	1
36	22-0005	Backup Alarm	1
38	53-0077	Strobe Light Bracket	1
39	22-0006	Safety Strobe Light	1
40	12-0021-08	Hex Nut, Nylon Insert, M8, Class 8, ZP	6
41	11-0139	Washer, flat (SAE), 5/16", ZP	4
42	11-0025	Steel Nylock Lock Nut: 5/16"-18 ZP	4
43	11-0132	Steel Hex Head Cap Screw, GR5: 5/16"-18x1" ZP fully threaded	6
44	11-0030	Steel SAE Flat Washer: #10 ZP	6
45	11-0072	Steel Split Lock Washer: #10 ZP	11
46	11-0250-12	Screw, Pan Head Phillips, 10-24 x .75", ZP	3
47	41-0006	Bulkhead Fitting	1
48	42-0001	Fire Extinguisher	1
49	53-0177	Tool Tray, T-2100 Pro, Gloss Black	1
55	11-0033	Steel SAE Flat Washer, 1/4" ZP	4
56	11-0133	Steel Hex Head Cap Screw, GR5: 1/4"-20x3/4" ZP fully threaded	4
57	11-0123	Steel Hex Nut, GR8: 1/4"-20 ZP	4
62	44-0046	Propane Tank, 20#, Liquid Withdrawal, Horizontal Mount	1
63	41-0005	Bulkhead Relief Valve	1
64	41-0014	Adapter, Brass, 1/4" M-NPT to 3/8" Tube	1
65	41-0026	Fuel Hose, T-2100PRO Terminator, Tank-Bulkhead	1
67	11-0023	Steel Nylon Insert Lock Nut: #10-24 ZP	13
68	41-0016	Adapter, Brass, 1/4" M-NPT to 3/8" Tube, 90 Deg	1
69	41-0027	Fuel Hose, T-2100PRO Terminator, Bulkhead - Lock off	1

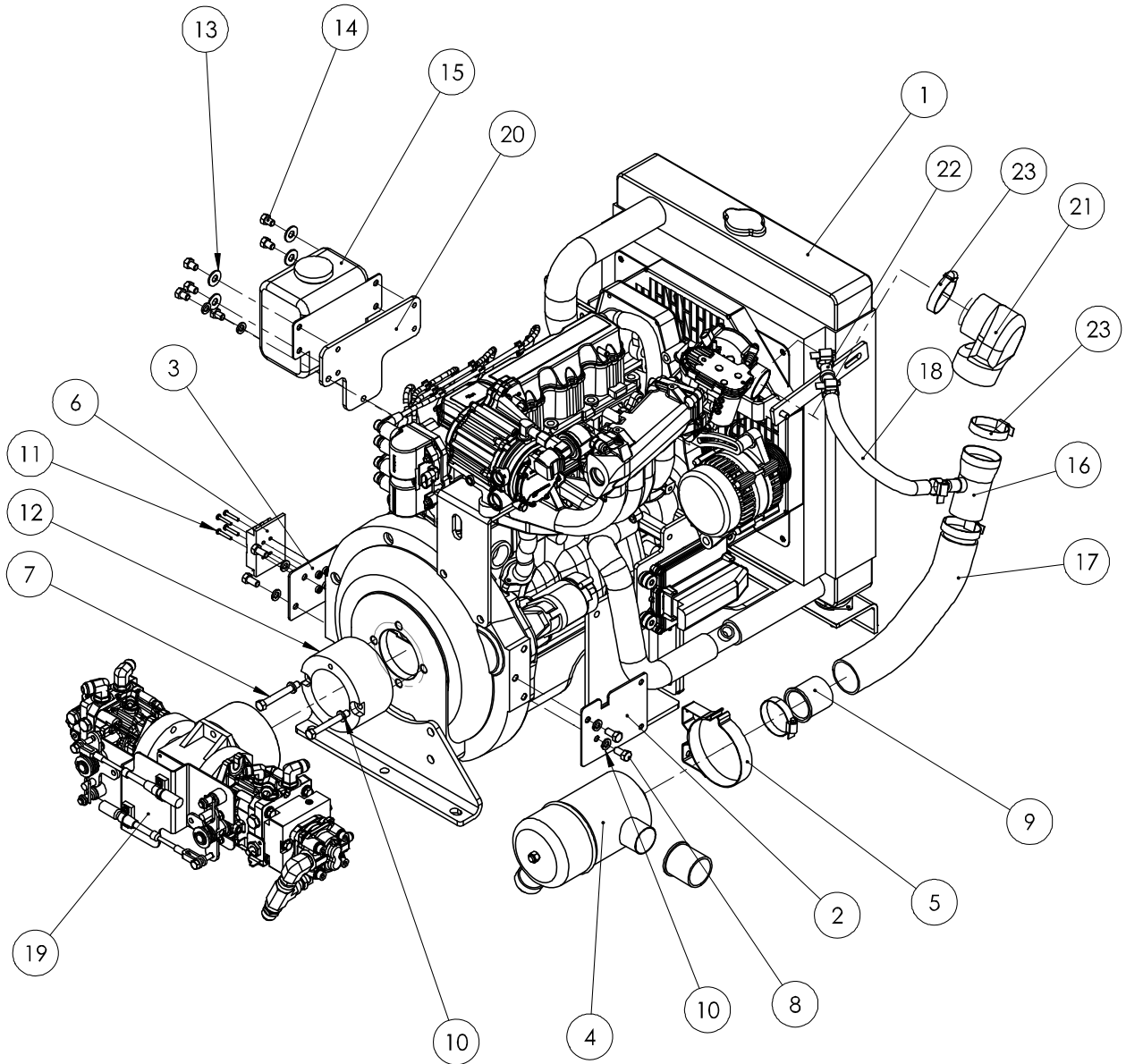


### Engine Installation



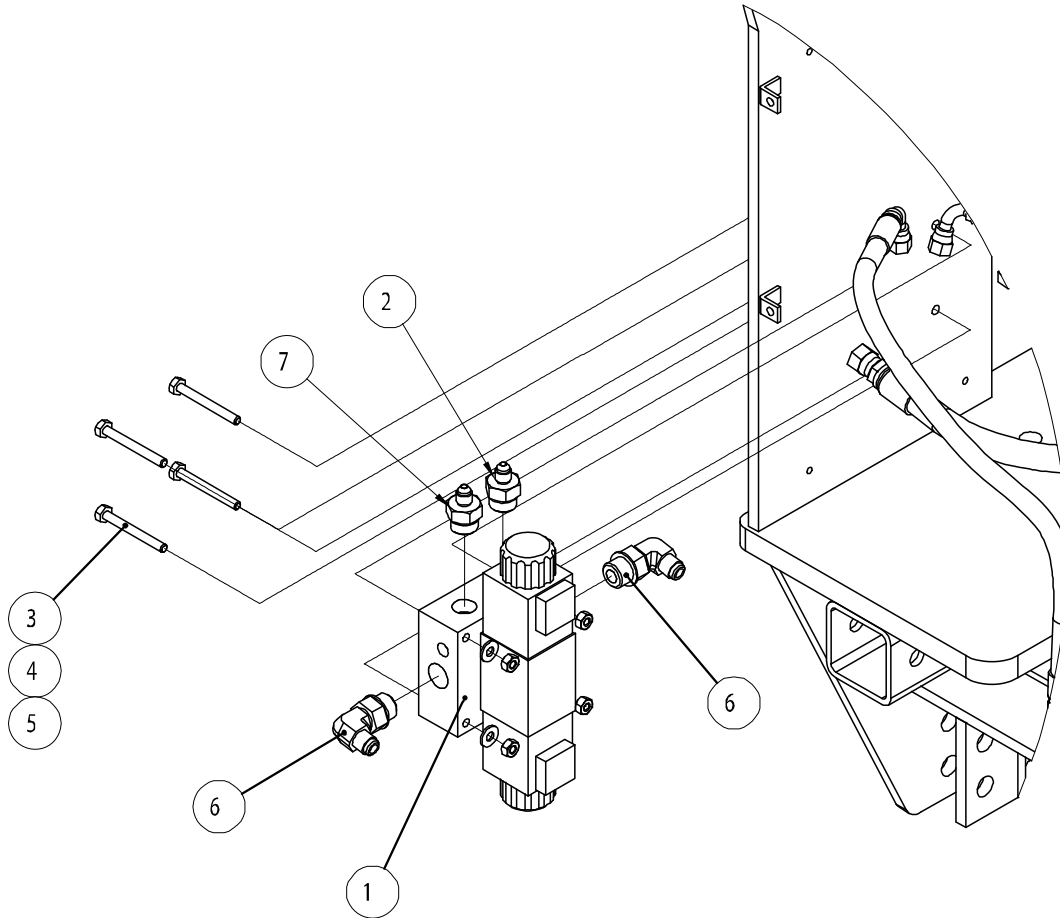
Item No.	Part Number	Description	Quantity Per
2	96-0179	Subassembly, T-2100 Pro Engine	1
3	13-0227	Bolt Down Vibration Dampening Mount, 3/8 - 16 thread, 480lb Max Load	2
3a	53-0207	Engine Mount, T-2100 Pro, Rigid Mount	2
4	11-0040	Split Lock Washer 5/16"	8
5	11-0129	Split Lock Washer 3/8"	8
6	11-0118	Hex Bolt, 5/16-18 x .75"L, ZP	8
7	11-0130	Hex Bolt, 3/8"-16 x .75"L, ZP	4
8	53-0098	Rear Cover, T-2100PRO Terminator, Welded & Painted	1
9	13-0232	Hinge, Concealed, Removable, Frame Leaf, Formed	4
10	53-0076	Support Member w/Door Catch and Spring Mount, Left, T-2100 Pro	1
11	53-0192	Support Member w/Door Catch and Spring Mount, Right, T-2100 Pro	1
12	11-0035	3/8" Flat Washer, Steel, ZP	2
13	11-0007	Hex Bolt, 3/8"-16 x 1"L, ZP	2
14	11-0124	Hex Nut, 3/8"-16, ZP	8
15	11-0132	Hex Bolt, 5/16"-18 x 1"L, ZP	2
16	11-0069	Split Lock Washer, 1/4"	4
17	11-0072	Split Lock Washer, #10	8
18	11-0250-08	Screw, Pan Head Phillips, #10-24 x .5:L, ZP	8
19	11-0023	Nut, Nylon Insert, #10-24, ZP	8
20	11-0053	Hex Bolt, 1/4"-20 x .5"L, ZP	4
21	13-0256	Gas Spring, 20.12" Ex, 11.85" Comp, 8.27" Stroke, 20 LB	2
22	43-0161	Catalytic Muffler	1
23	11-0290	Hex Bolt, 3/8"-16 x 1.25", ZP	4
25	13-0229	U-Bolt, Zinc-Plated Steel, 3/8"-16 x 1-1/4" L Thread, For 1-1/2" OD	2
26	53-0142	Exhaust Pipe, T-2100 Pro, Pre-Cat	1
27	53-0141	Exhaust Pipe, T-2100 Pro, Post-Cat	1
28	43-0160	Exhaust Gasket	2

### Engine Sub-Assembly



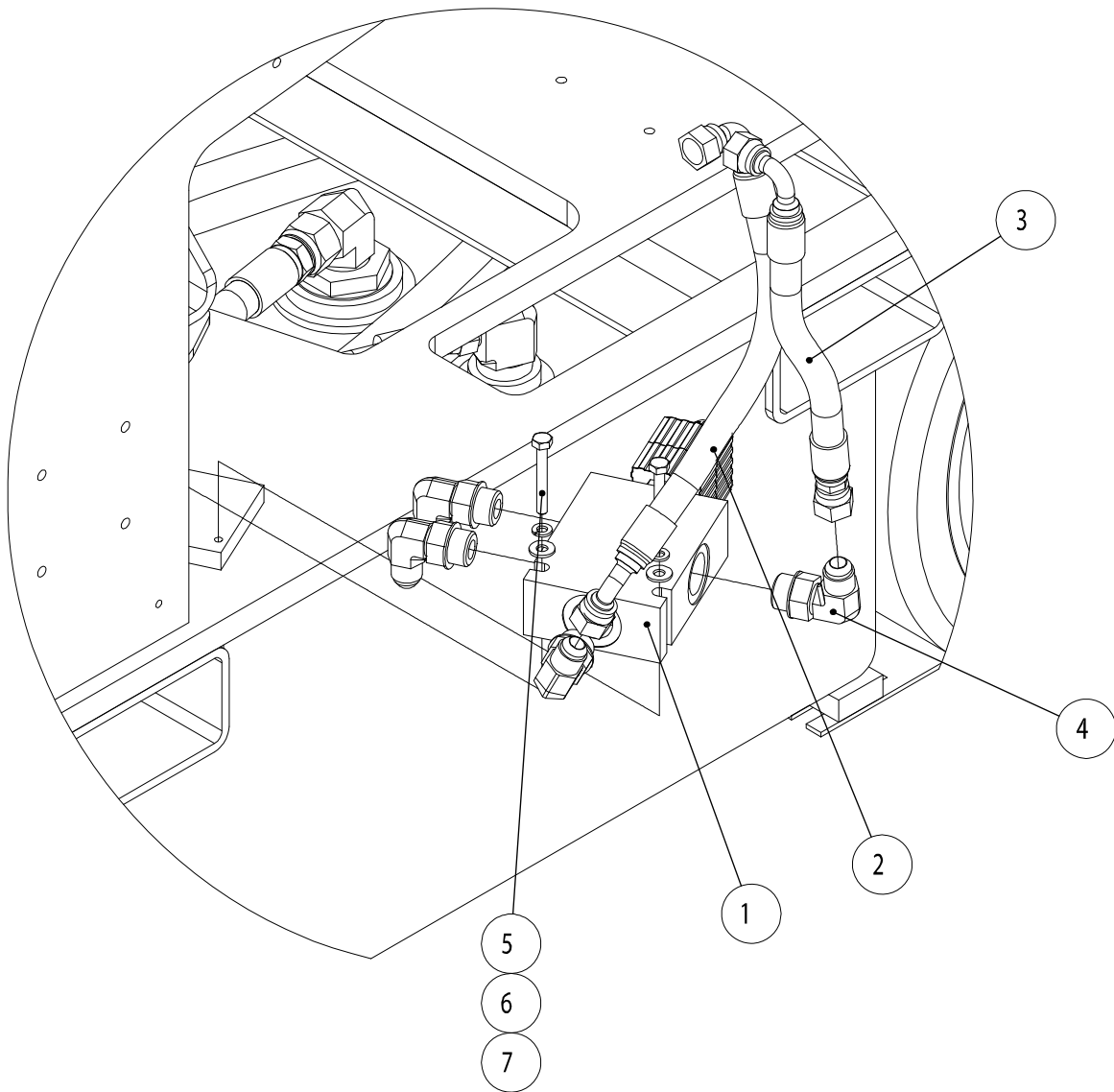
ITEM NO.	PART NUMBER	DESCRIPTION	QTY.
1	43-0140	GM 1.6L Vortec Engine	1
2	53-0225	Air Filter Mounting Bracket	1
3	53-0224	Fuse Block Mounting Bracket	1
4	43-0086	Air Cleaner Assembly	1
5	43-0087	Air Cleaner Mounting Band	1
6	25-0032	Fuse Block, 6 Gang ATO Style	1
7	11-0256	Hex Bolt, 3/8"-16 x 3"	2
8	11-0225	Hex Bolt, 3/8"-16 x .75"	4
9	44-0003	Hose Adapter	1
10	11-0129	3/8" Lock Washer	8
11	11-0233	Screw, Pan Head Phillips #10-24 x 1"	4
12	53-0216	T-Drive Mounting Adapter	1
13	11-0035	3/8" Flat Washer	4
14	11-0278	Hex Bolt, 3/8-16 x .50"	6
15	Part of 43-0140	Radiator Overflow Tank	1
16	53-0118	Crank Case Gas Coupler	1
17	44-0027	Spiral Wound Air Hose	1
18	44-0020	Connection Hose	1
19	96-0177	Hydraulic Pump Assembly w/Fittings	1
20	53-0221	Radiator Overflow Tank Bracket	1
21	44-0050	Intake Adapter	1
22	51-0564	Crank Case Tube Adapter	1
23	13-0274	Hose Clamp, Worm Drive, SAE 36	4
24	13-0275	Hose Clamp, Worm Drive, SAE 12	3

### Hydraulic Cylinder Valve Sub-Assembly



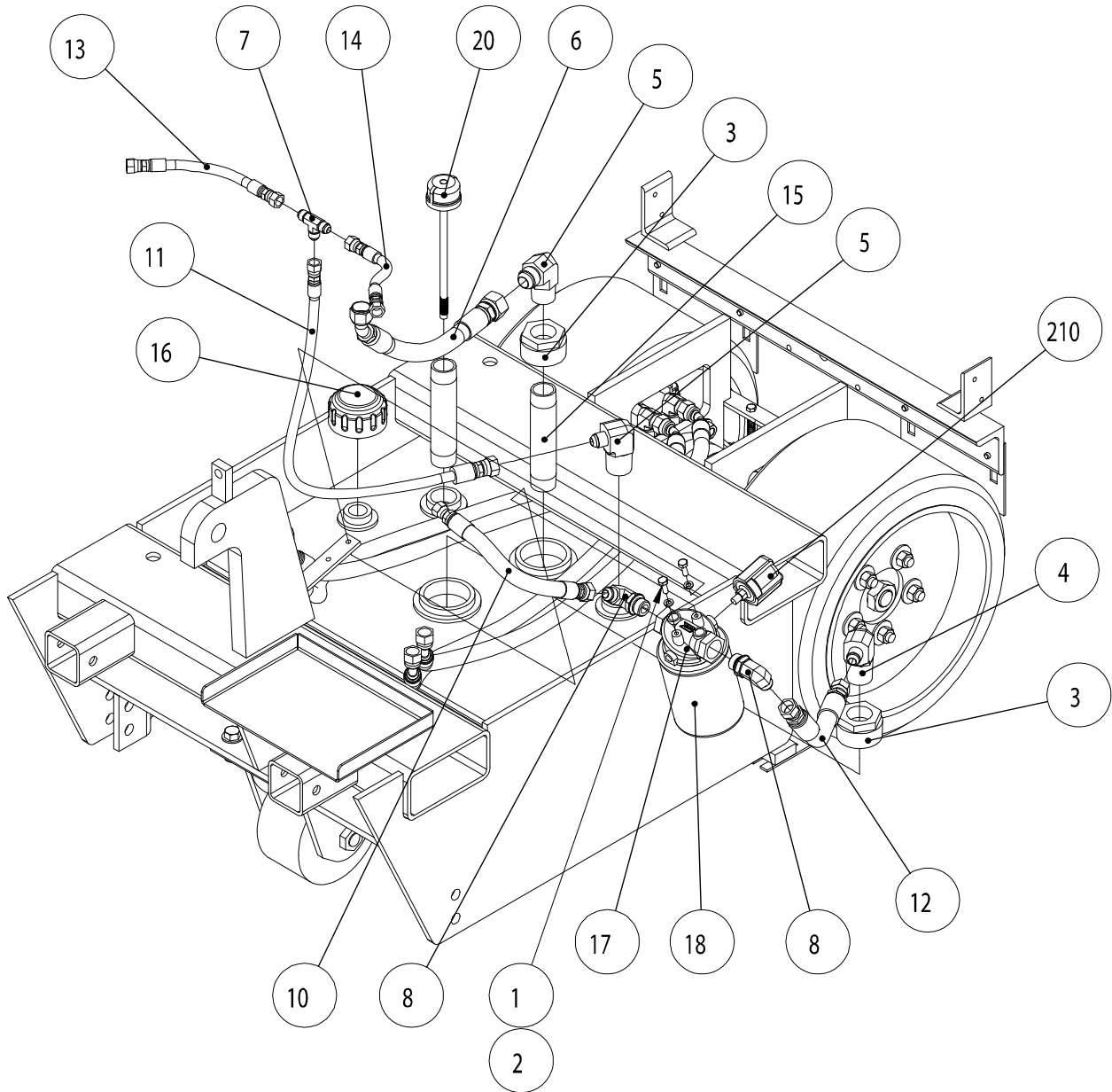
Item No.	Part No.	Description	Quantity Per
1	32-0019	Solenoid Valve, 4way 3pos, w/manifold and relief, 12VDC	1.0
2	31-0053	Hydraulic Fitting, Straight, Flow Reducer, .032" Orifice, #4 Male 37 Flare to #8 SAE O-Ring	1.0
3	11-0279-36	Hex Cap Screw, 1/4"-20 x 2-1/4", Alloy Steel, ZP	4.0
4	11-0069	Split Lock Washer: 1/4" ZP	4.0
5	11-0024	Nylock Nut: 1/4 - 20 ZP	4.0
6	31-0053	Hydraulic Fitting, 90 Deg, #8 Male 37 Flare to #10 SAE O-ring	12.0
7	31-0131	Hydraulic Fitting, Straight, #4 Male 37 Flare to #8 SAE O-Ring	1.0

## Hydraulic Valve 1 Sub-Assembly



Item No.	Part No.	Description	Quantity Per
1	32-0015	Solenoid Valve, 4-Way, 2 pos, Direct acting, Alum Hsg, SAE #10 Ports, Weatherpak, 12VDC	1.0
2	31-0184	Hydraulic Hose Assembly, Pump to Valve, Left Side, A	1.0
3	31-0185	Hydraulic Hose Assembly, Pump to Valve, Left Side, B	1.0
4	31-0053	Hydraulic Fitting, 90 Deg, #8 Male 37 Flare to #10 SAE O-ring	4.0
5	11-0182	Alloy Steel Hex Head Cap Screw, GR8: 1/4"-20x2" ZP	2.0
6	11-0033	Steel SAE Flat Washer, 1/4" ZP	2.0
7	11-0069	Split Lock Washer: 1/4" ZP	2.0

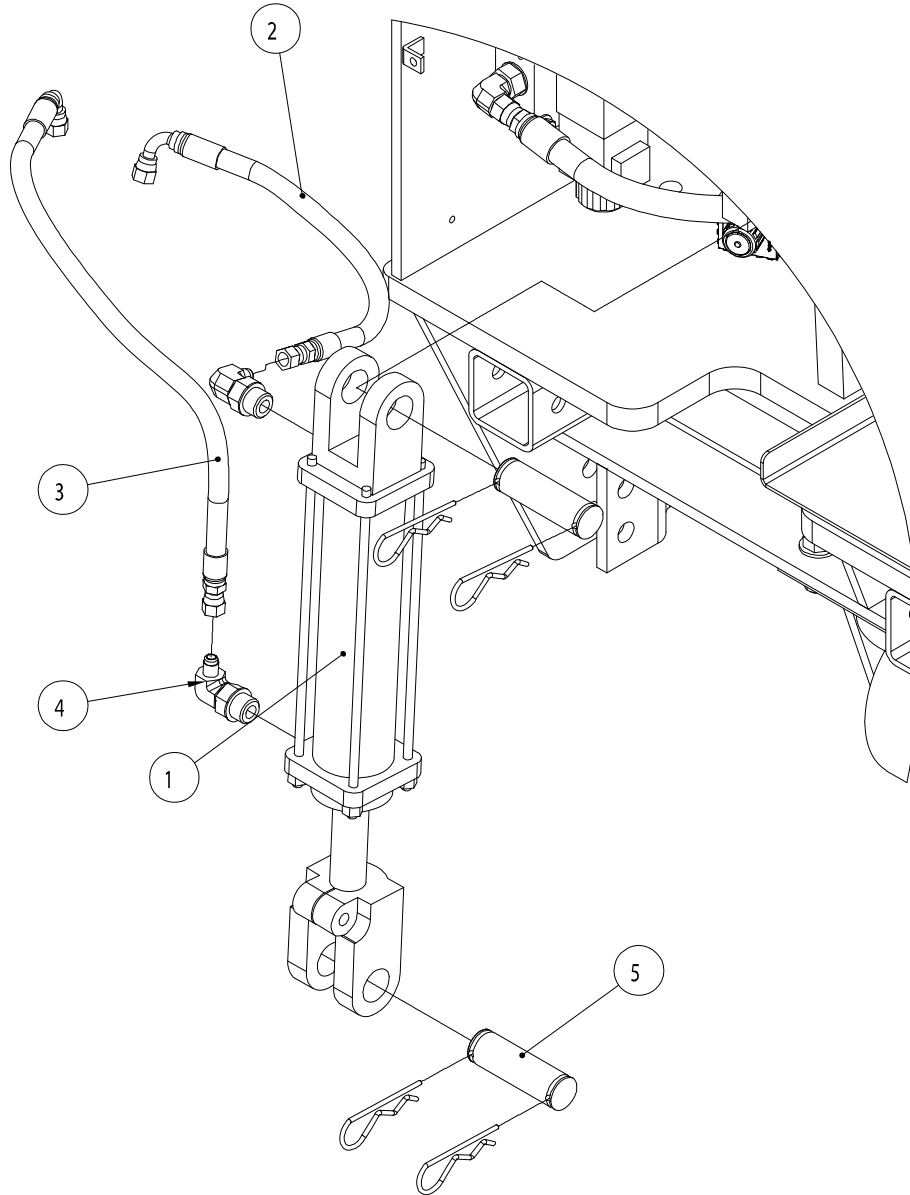
### Hydraulic Hose & Filter Sub-Assembly



Item No.	Part No.	Description	Quantity Per
1	11-0033	Steel SAE Flat Washer, 1/4" ZP	2.0
2	11-0133	Steel Hex Head Cap Screw, GR5: 1/4"-20x3/4" ZP fully threaded	2.0
3	31-0124	Threaded Tank Fitting, 2" Male NPT, 1" x 1" Female NPT	2.0
4	31-0127	Hydraulic Fitting, 90 Deg, #8 Male 37 Flare to 1" NPTF Male	2.0
5	31-0128	Hydraulic Fitting, 90 Deg, #12 Male 37 Flare to 1" NPTF Male	1.0
6	31-0130	Hydraulic Hose Assembly, Suction Hose	1.0
7	31-0144	Hydraulic Fitting, #6 Male 37 Flare, Union Tee	1.0
8	31-0162	Hydraulic Fitting, 90 Deg, #8 Male 37 Flare to #12 SAE O-ring Male	2.0
9	31-0089	Hydraulic Hose Assembly, Pressure Hose	1.0
10	31-0090	Hydraulic Hose Assembly, Valve to Filter	1.0
11	31-0083	Hydraulic Hose Assembly, Return to Tank 1 (case drain)	1.0
12	31-0084	Hydraulic Hose Assembly, Return to Tank 2	1.0
13	31-0085	Hydraulic Hose Assembly, Case Drain 1	1.0
14	31-0086	Hydraulic Hose Assembly, Case Drain 2	1.0
15	35-0004	T2000: Standard Black Nipple	2.0
16	35-0021	Breather Cap 3/4" NPT	1.0
17	35-0036	Hydraulic Oil Filter, Spin-On Filter Head, 15GPM	1.0
18	35-0037	Replacement Filter Element for 35-0036	
19	36-0005	Hydraulic Oil, ISO 46	11.0
20	53-0159	Dip Stick Assembly	1.0
21	35-0041	Replacement Pressure Switch for 35-0036	

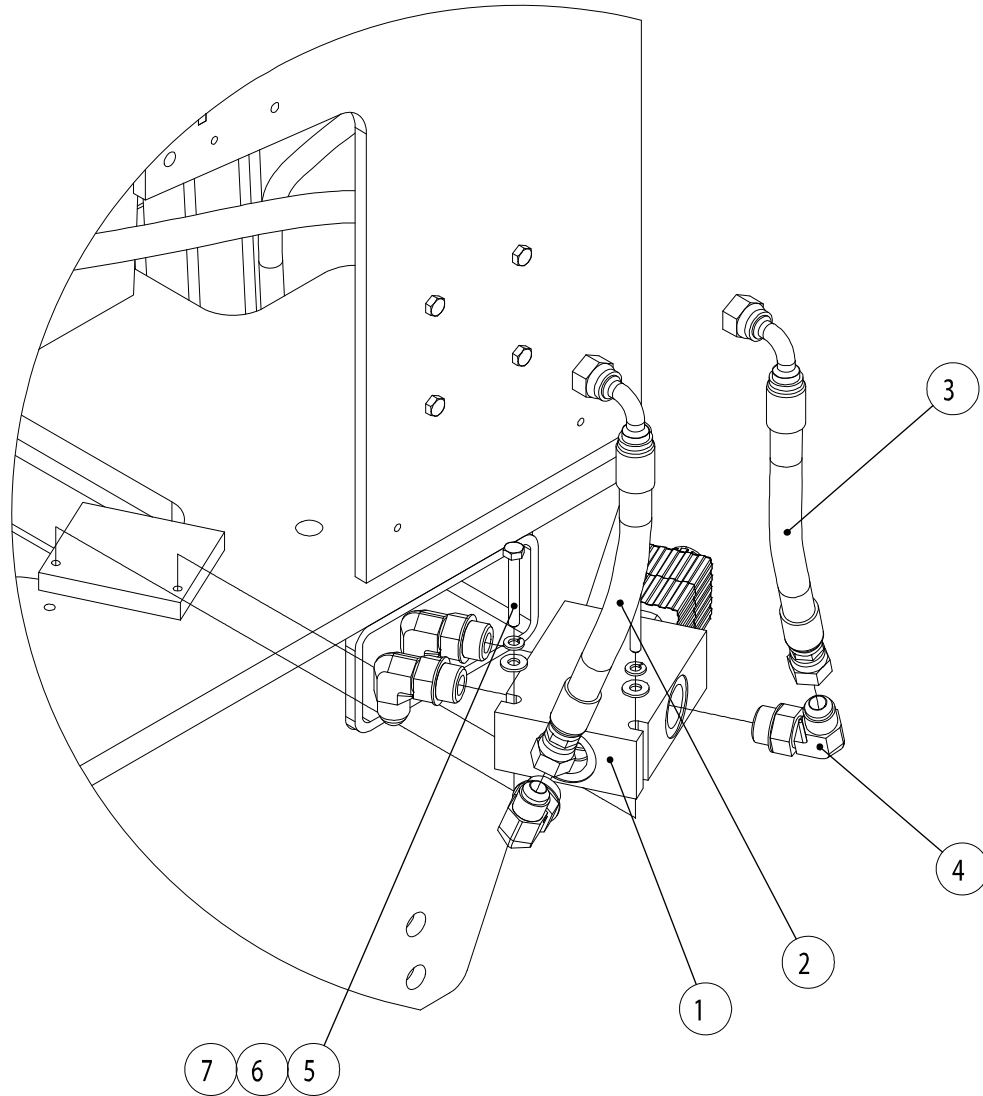


### Hydraulic Cylinder Sub-Assembly



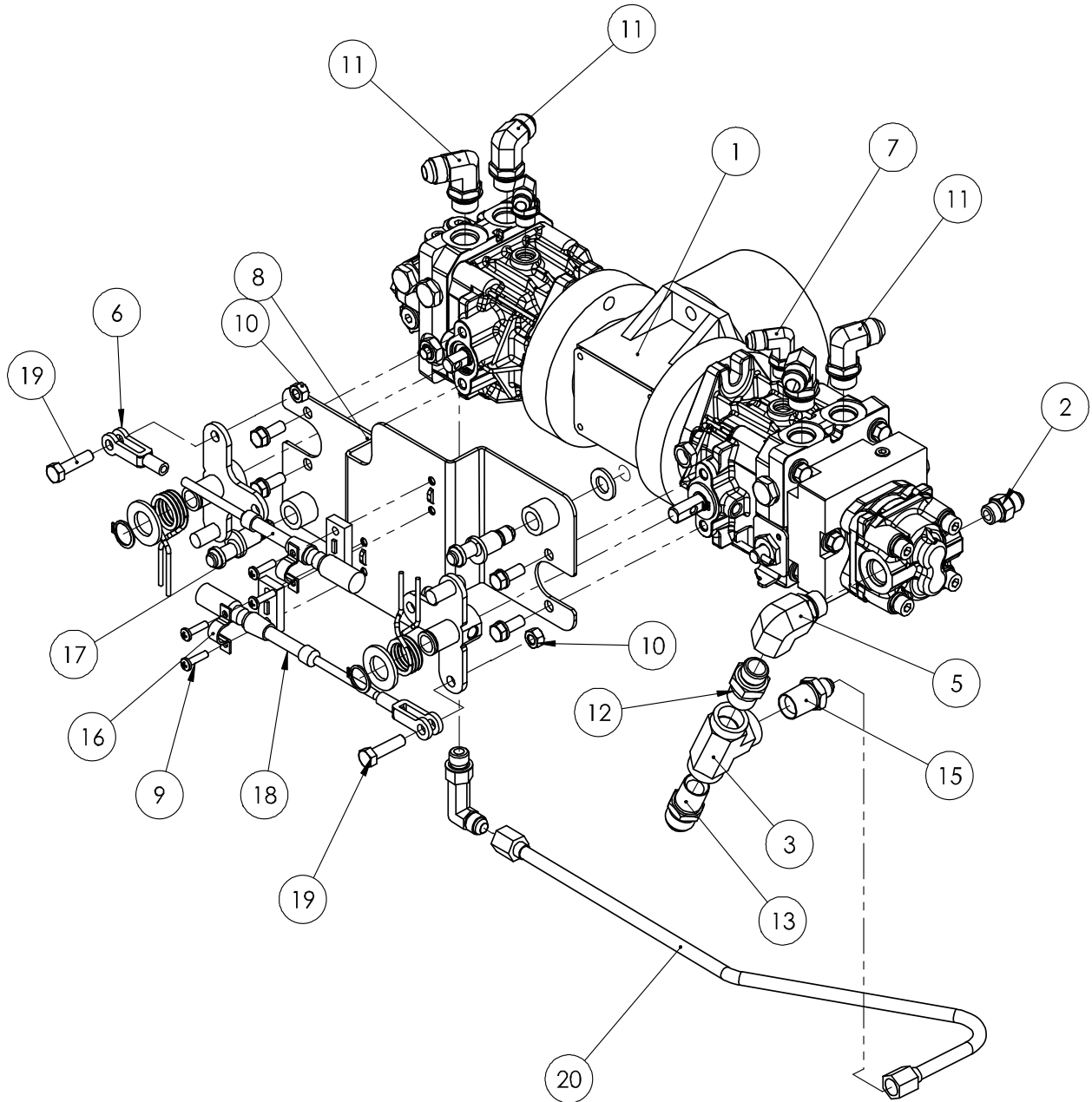
Item No.	Part No.	Description	Quantity Per
1	34-0008	Hydraulic Cylinder	1.0
2	31-0088	Hydraulic Hose Assembly, Front Cylinder, Short	1.0
3	31-0087	Hydraulic Hose Assembly, Front Cylinder, Long	1.0
4	31-0043	Hydraulic Fitting, 90 Deg, #4 Male 37 Flare to #8 SAE O-ring	2.0
5	11-0077	Replacement Clevis Pin Kit for Hydraulic Cylinder, P/N 34-0008, (2 Pins & 4 Keepers)	1.0

## Hydraulic Valve 2 Assembly



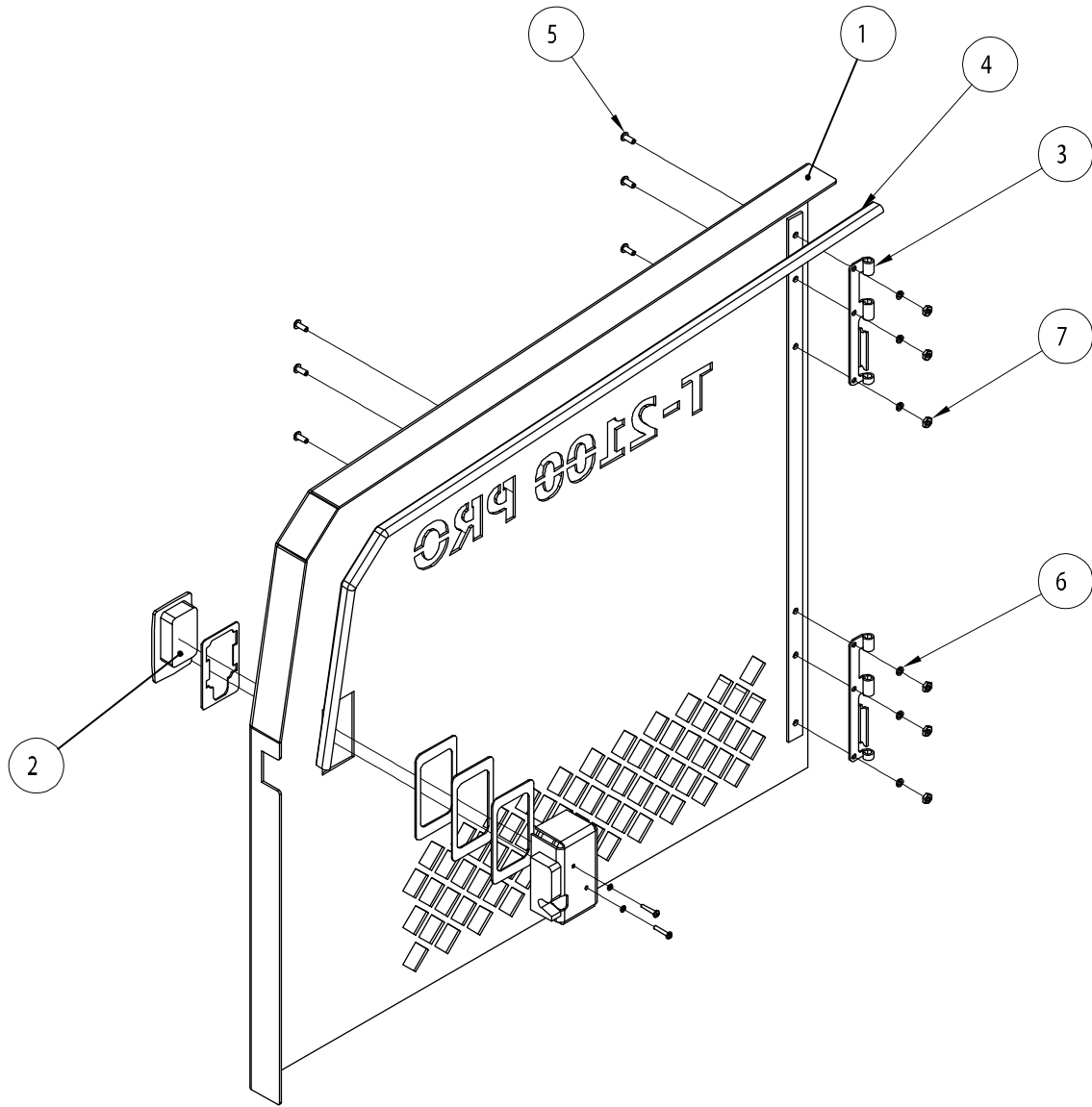
Item No.	Part No.	Description	Quantity Per
1	32-0015	Solenoid Valve, 4-Way, 2 pos, D	1
2	31-0182	Hydraulic Hose Assembly, Pump to Valve, Right Side, A	1
3	31-0183	Hydraulic Hose Assembly, Pump to Valve, Right Side, B	1
4	31-0053	Hydraulic Fitting, 90 Deg, #8 Male 37 Flare to #10 SAE O-ring	4
5	11-0182	Alloy Steel Hex Head Cap Screw, GR8: 1/4"-20x2" ZP	2
6	11-0033	Steel SAE Flat Washer, 1/4" ZP	2
7	11-0069	Split Lock Washer: 1/4" ZP	2

### Hydraulic Pump Sub-Assembly



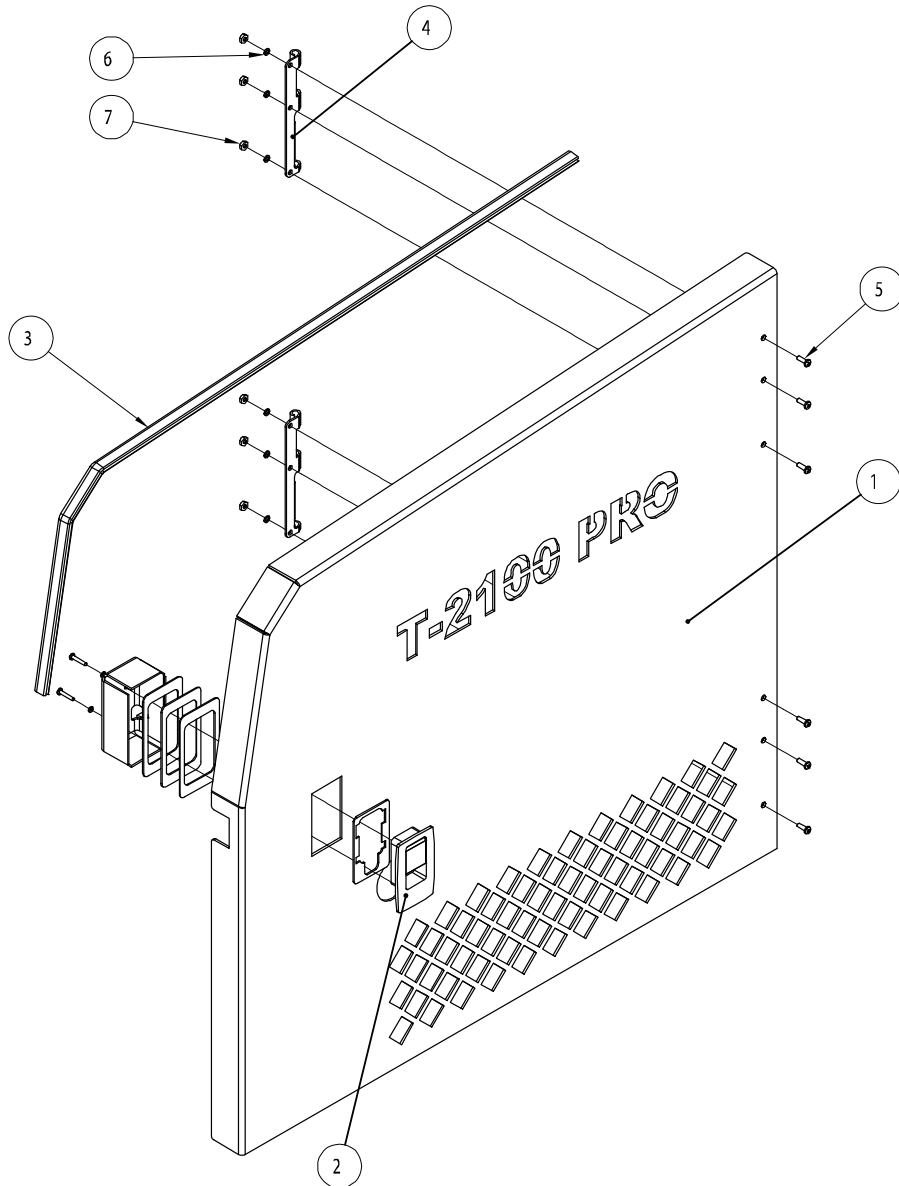
ITEM NO.	PART NUMBER	DESCRIPTION	QTY.
1	33-0018	Hyd. Pump Assembly, 2 Pumps w/Gear Pump and "T" Gear Box	1
2	31-0046	Hydraulic Fitting, Straight, #6 JIC To #6 SAE O-ring	1
3	31-0165	Hydraulic Fitting, Straight, #8 SAE O-ring to 1/2" NPT Male, Steel, Zinc Plated	1
4	53-0216	T-Drive Mounting Adapter	1
5	31-0192	Hyd. Fitting, 90 Deg, #8 SAE O-ring Male to #8 SAE O-ring Female, Steel, ZP	1
6	13-0280	Modified Yoke	2
7	31-0056	Hyd. Fitting, Male #6 SAE Oring to Male #6 JIC 37deg Flare	2
8	53-0100	Push Pull Cable Mount	1
9	11-0233	Screw, Pan Head Phillips, 10-24x 1" ZP	4
10	11-0025	Hex Nut, Steel, Nylon Insert, 5/16"-18, ZP	2
11	31-0094	Hyd. Fitting, Male #8 SAE O-ring to Male #8 JIC 37deg Flare	4
12	31-0193	Hydraulic Fitting, Straight, #8 SAE O-ring to 1/2" NPT Male, Steel, Zinc Plated	1
13	31-0105	Hydraulic Fitting, Straight, #10 Male 37 Flare to 1/2" NPTF Male	1
14	31-0102	Hydraulic Fitting, Long 90 Deg, #6 Male 37 Flare to #6 SAE O-ring	1
15	31-0101	Hydraulic Fitting, Straight, 1/2" NPTF Male to #6 Male 37Flare	1
16	13-0278	Conduit Clamp, Bolt Down for LD Cable	2
17	13-0281	Push Pull Cable, 29.5"L, LD	1
18	13-0277	Push Pull Cable, 28"L, LD	1
19	11-0027	Hex Cap Screw, 5/16"-18 x 1.25", ZP	2
20	31-0194	T-2100 Pro Suction Hard Tube	1
21	51-0636	Cable Clamp Spacer	2

### Right Door Assembly



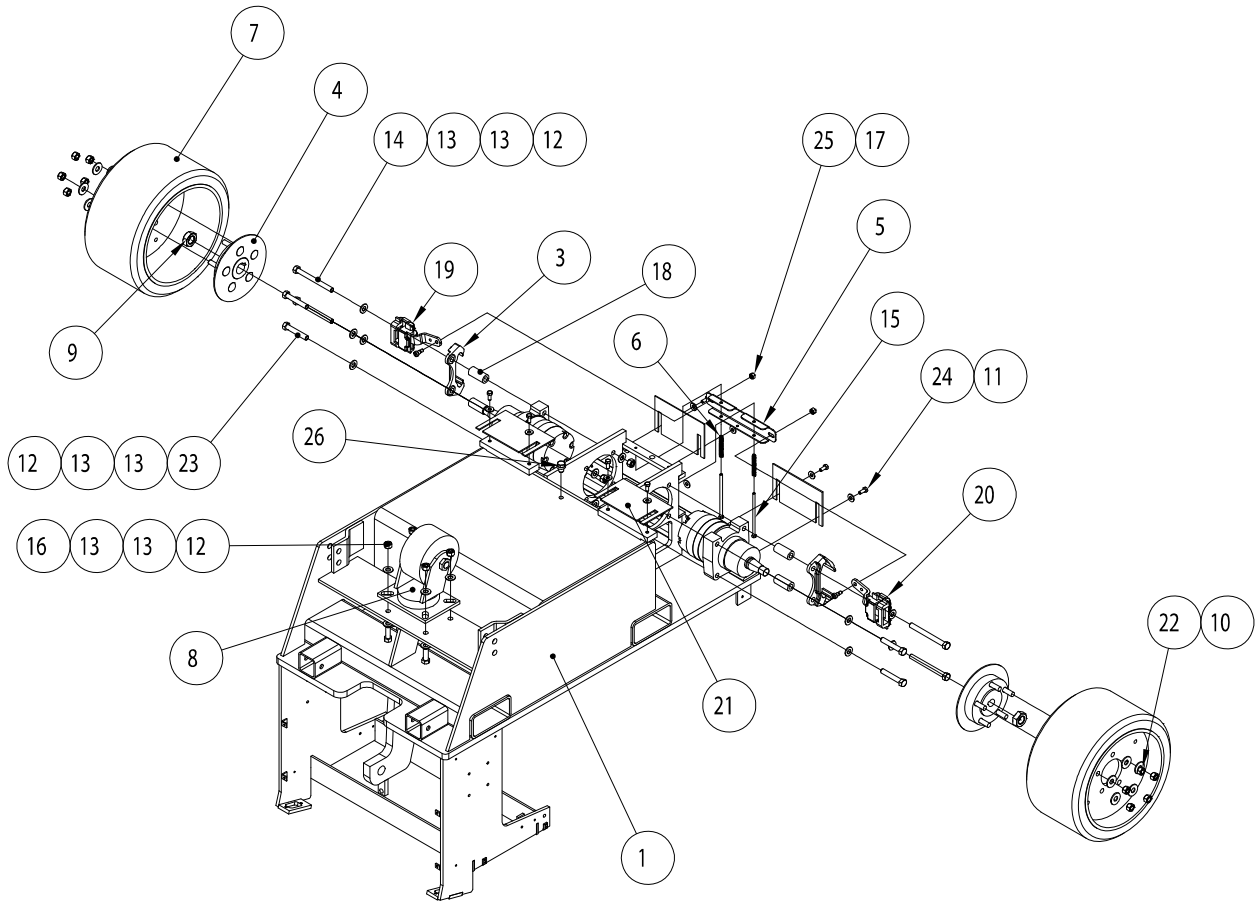
ITEM NO.	PART NUMBER	DESCRIPTION	QTY.
1	53-0126	Door, Right	1
2	13-0233	Rotary Paddle Latch, Locking	1
3	13-0231	Hinge, Concealed, Removable, Door Leaf, Type B	2
4	03-0008	Edge Trim, Neoprene Rubber, 38"	1
5	11-0250-08	Screw, Pan Head Phillips, 10-24 x .5", ZP	6
6	11-0072	Steel Split Lock Washer, #10, ZP	6
7	11-0244	Finish Hex Nut, #10-24, ZP	6

## Left Door Assembly



ITEM NO.	PART NUMBER	DESCRIPTION	QTY.
1	53-0125	Door, Left	1
2	13-0233	Rotary Paddle Latch, Locking	1
3	03-0008	Edge Trim, Neoprene Rubber, 38"	1
4	13-0230	Door Leaf Hinge, Type A	2
5	11-0250-08	Screw, Pan Head Phillips, 10-24 x .5"	6
6	11-0072	Split Lock Washer, #10	6
7	11-0244	Nylon Insert Hex Nut, #10-24	6

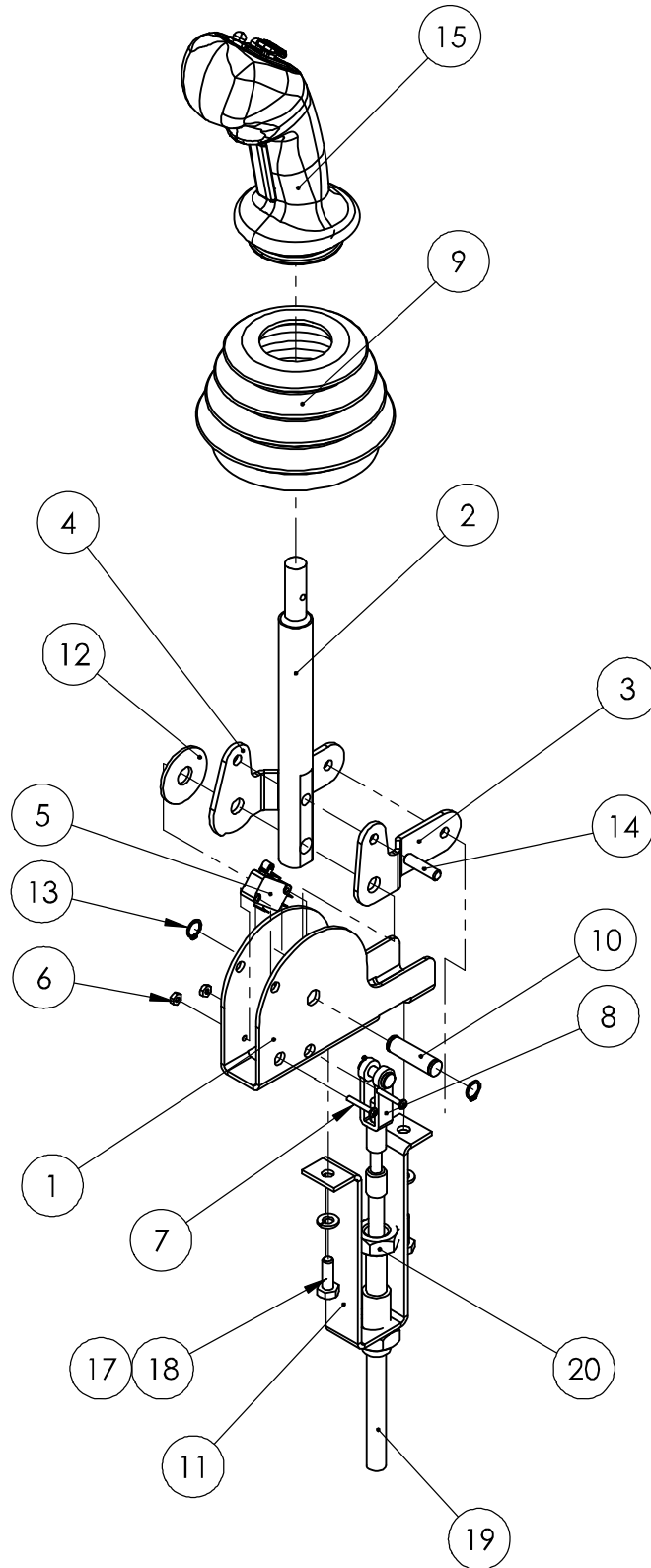
### Wheel Motor Assembly



ITEM NO.	PART NUMBER	DESCRIPTION	QTY.
1	53-0055	Frame Assembly	1
2	33-0003	Wheel Motor, Right Left (P/N 33-0002)	2
3	13-0022	Brake Mounting Bracket	2
4	70-0016	Wheel Hub, 5 Bolt w/Brake Disc	2
5	53-0134	Brake Actuator	1
6	13-0276	Compression Spring	2
7	13-0031	Wheel & Tire Assembly	2
8	13-0008	Caster Wheel Assembly	1
9	35-0013	Wheel Motor Pack Nut	2
10	11-0037	Flat Washer, 1/2", Steel, ZP	10
11	11-0034	Flat Washer, 5/16", Steel, ZP	10
12	11-0028	Hex Nut, 1/2"-13, Nylon Insert, Steel, ZP	12
13	11-0037	Flat Washer, 1/2", Steel, ZP	24
14	11-0199	Hex Bolt, 1/2"-13 x 5.25", GR8, ZP	4
15	11-0279-88	Hex Bolt, 1/4"-20 x 5.5", GR8, ZP	2
16	11-0119	Hex Bolt, 1/2"-13 x 1.5", GR8, ZP	4
17	11-0287	Socket Head Shoulder Screw, 3/8"OD x 3/8"L,	2
18	51-0491	Brake Spacer Standoff	4
19	13-0020	Brake Caliper, Left	1
20	13-0021	Brake Caliper, Right	1
21	81-0091	Wheel Scraper Blade, 2 Slot, 7.5" x 4.5"	4
22	11-0029	Hex Nut, 1/2"-20, Nylon Insert, Steel, ZP	10
23	11-0013	Hex Bolt, 1/2"-13 x 3", GR5, ZP	4
24	11-0193	Hex Bolt, 5/16"-18 x .75", GR8, ZP	8
25	11-0025	Hex Nut, 5/16"-18, Steel, Nylon Insert, ZP	2
26	35-0014	Hydraulic Tank Plug	1

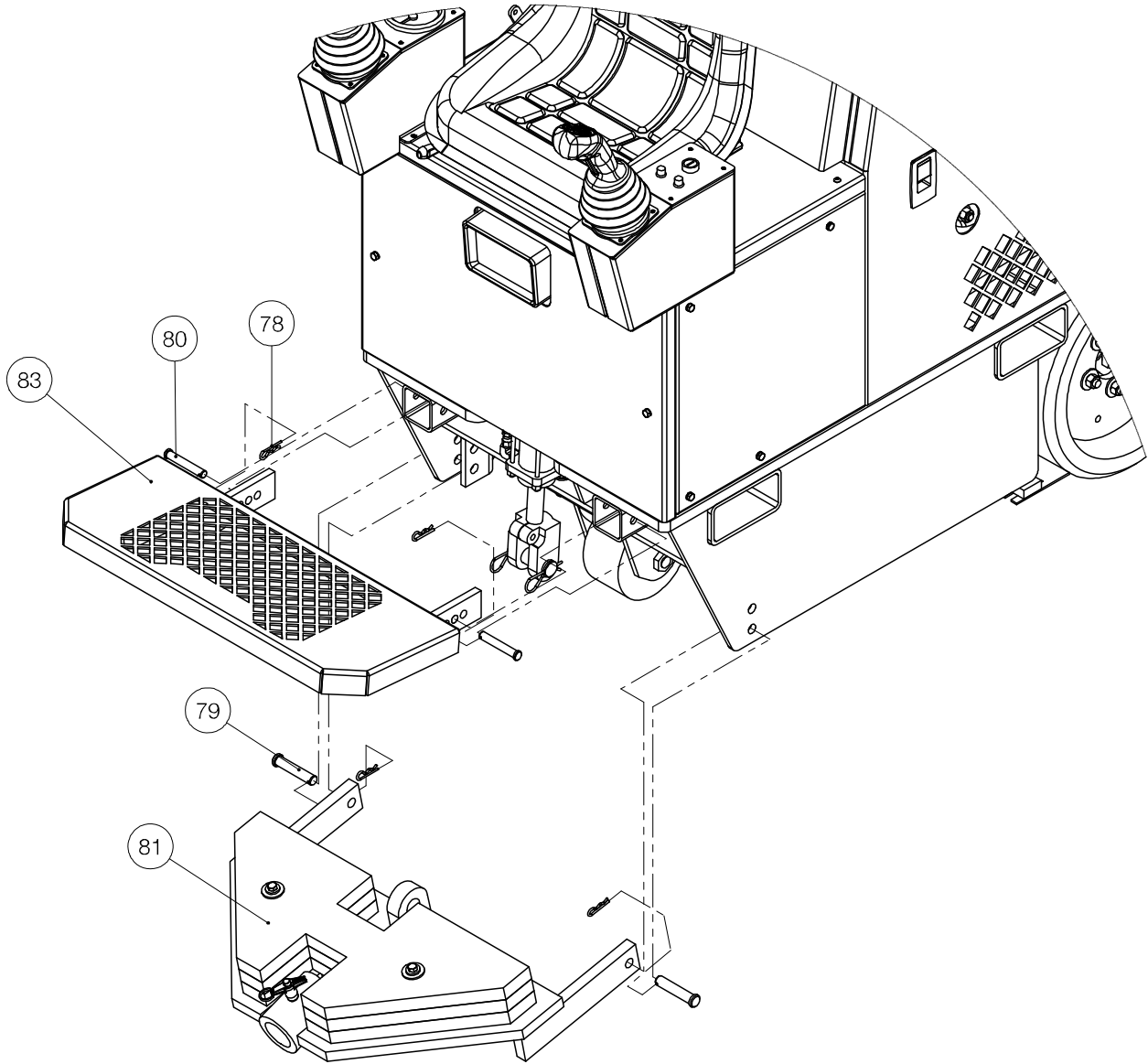


### Joystick Assembly



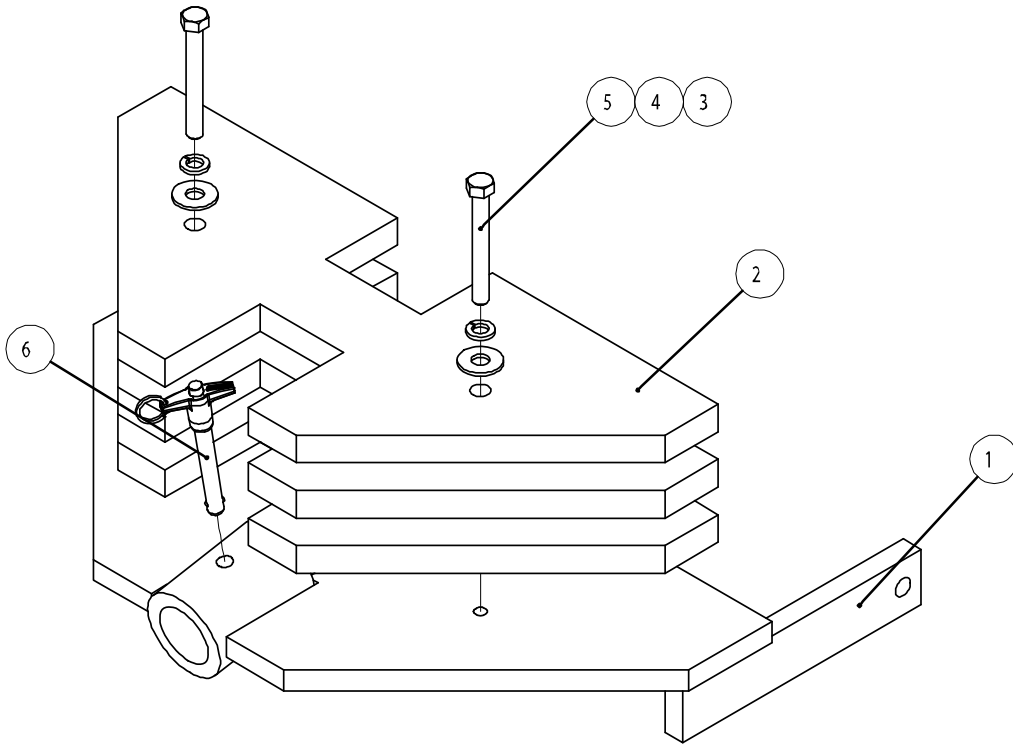
ITEM NO.	PART NUMBER	DESCRIPTION	QTY.
1	53-0260	Joystick Base	1
2	53-0217	Joystick Lever	1
3	53-0219	Joystick Cable Lever, Right	1
4	53-0220	Joystick Cable Lever, Left	1
5	22-0025	Switch, Miniature Roller Lever, 10A	1
6	11-0249	Hex Nut, Nylon Insert, 4-40, Steel, ZP	2
7	11-0247-12	Screw, Pan Head Philips, 4-40 x .75" Steel, ZP	2
8	13-0263	Yoke End, 10-32 Thread, 1/4" Thru Hole	1
9	13-0194	Joystick Boot	1
10	53-0218	Joystick Shaft, T-2100 Pro	1
11	53-0261	Joystick Cable Mount, T-2100 Pro	1
12	11-0036	7/16" Flat Washer	1
13	13-0157	Retaining Ring, 3/8" ZP	2
14	13-0134	Dowel Pin	1
15	24-0077	Joystick Grip, Left w/Wiring Harness	1
15 (alt)	24-0078	Joystick Grip, Right w/Wiring Harness (not shown)	1
17	11-0069	Split Lock Washer: 1/4" ZP	2
18	11-0133	Hex Cap Screw, GR5: 1/4"-20x3/4" ZP	2
19	11-0277	Push Pull Cable, 28"L, LD	1
20	Part of 13-0277	Split Lock Washer: 1/4" ZP	2

### Foot Rest & Front Jaw Assembly



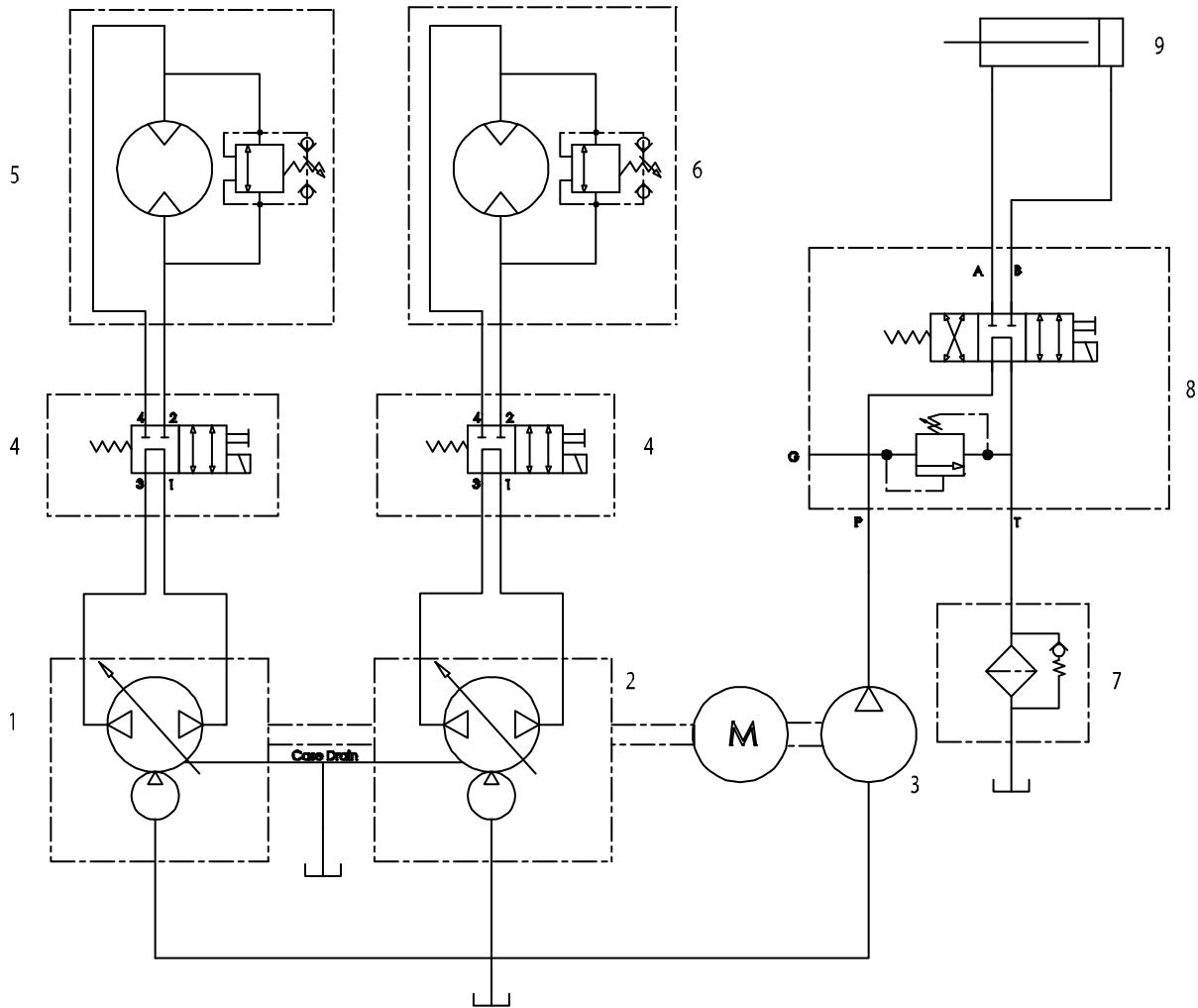
ITEM NO.	PART NUMBER	DESCRIPTION	QTY.
78	11-0052	Hitch Pin, Steel, ZP, Up to 5/8" Dia.	4
79	11-0045	Clevis Pin, 5/8" x 3"L	2
80	11-0044	Clevis Pin, 1/2"D x 3"L, Steel, ZP	2
81	96-0197	T-2100 Pro, Jaw Assembly with Weights	1
83	53-0117	Foot Rest, T-2100 Pro	1

## Front Jaw & Weight Assembly



ITEM NO.	PART NUMBER	DESCRIPTION	QTY.
1	53-0054	Front Jaw Assembly	1
2	53-0133	Front Weight	3
3	11-0230	1/2" Steel Flat Washer, ZP	2
4	11-0041	1/2" Steel Split Lock Washer, ZP	2
5	11-0014	Hex Cap Screw, GR5: 1/2"-13 x 4-1/2" ZP	2
6	13-0035	T-Handle Pin	1

### Hydraulic Schematic



ITEM NO.	PART NUMBER	DESCRIPTION	QTY.
1	33-0009	Left Wheel Hydraulic Pump	1
2	33-0017	Right Wheel Hydraulic Pump w/Gear Pump	1
3	33-0017	Gear Pump	1
4	32-0015	Solenoid Valve	2
5	33-0003	Right Wheel Motor	1
6	33-0002	Left Wheel Motor	1
7	35-0032	Hydraulic Filter Assembly	1
7a	35-0033	Replacement Filter only	1
8	32-0019	Directional Valve	1
9	34-0008	Hydraulic Cylinder	1



