



## INSTRUCTION MANUAL & PARTS BOOK

# Walk Behind Material Spreader

**MODEL: MS10A**

Use this guide along with the parts lists attached to locate and identify components of your Material Spreader. When ordering replacement parts, be sure to provide the model number and serial number from the Spreader.



**POWERFUL - EFFICIENT - DEPENDABLE**

BARTELL MORRISON INC.      BARTELL MORRISON (USA) LLC  
375 ANNAGEM BLVD, MISSISSAUGA, ONTARIO, CANADA, L5T 3A7, 905-364-4200 FAX 905-364-4201  
200 COMMERCE DRIVE, FREEHOLD, NEW JERSEY, USA, 07728, 732-566-5400 FAX 732-5444

Doc. # OI – M11204  
Orig. Rel. – 02/2012  
Curr. Rev. – 01  
Rev. Date – 06-2014

# WALK BEHIND MATERIAL SPREADER INSTRUCTION MANUAL & PARTS BOOK

SAFETY PRECAUTIONS	
	<p> <b>CAUTION</b></p> <p><b>ROTATING HAZARD</b> Never place hands or feet inside safety guard rings. Serious injury will result from contact with rotating blades.</p>
	<p> <b>CAUTION</b></p> <p><b>MOVING PARTS</b> Before starting the machine ensure that all guards and safety devices are in place and functioning properly.</p>
	<p> <b>ATTENTION</b></p> <p><b>READ OWNERS MANUAL</b> Read and understand operator's manual before using this machine. Failure to follow operating instructions could result in serious injury or death.</p>

# WALK BEHIND MATERIAL SPREADER INSTRUCTION MANUAL & PARTS BOOK

## TABLE OF CONTENTS

WALK BEHIND MATERIAL SPREADER WARRANTY .....	4
MAINTENANCE RECORD.....	5
ROUTINE SERVICE INTERVALS.....	6
USING THE WALK BEHIND MATERIAL SPREADER .....	6
SPECIFICATIONS.....	6
ASSEMBLY DRAWINGS AND PARTS LIST .....	7-11
NOTES .....	12

## WALK BEHIND MATERIAL SPREADER WARRANTY

- All products sold by Bartell Morrison Inc. are warranted against defects in materials and/or workmanship; excluding normal wear on wearing components and components covered by a separate original manufacturers warranty, for a period of 12 months from the date of sale to the original end user purchaser provided that certain conditions have been met.

### Conditions:

1. The equipment serial number has been registered with Bartell Morrison Inc. or its approved dealers, distributors, representatives or agents.
2. The equipment has been operated in an appropriate manner by qualified individuals.
3. The equipment has been properly maintained as per the instructions included in the Owner's Manual.
4. All claims for warranty must be filed on proper forms and include the serial number of the equipment along with proof of purchase.

Any evidence of failure to meet these conditions may result in a denial of the warranty claim.

- Consideration of warranty claims will be at the sole discretion of Bartell Morrison Inc., or its authorized dealers, distributors, representatives or agents.
- Bartell Morrison Inc. may, at its discretion, request that the equipment to be considered for warranty be returned at the owner's expense to an authorized repair facility for inspection.
- Under this warranty we may, at our discretion, repair or replace a part or the whole of the defective component or equipment.
- Our Warranty coverage is limited to the cost to repair or replace the defective portion of the equipment and a reasonable (as determined by Bartell Morrison Inc.) amount of labour to conduct the repair or replacement. Under no circumstances shall Bartell Morrison Inc. be liable for any additional or exceptional costs beyond the cost to repair or replace the defective portion of the equipment. Bartell Morrison Inc. shall not be held accountable for; costs associated with travel to inspect or repair defective equipment, costs for transporting defective equipment to or from an authorized repair facility, costs incurred to repair or replace the defective equipment at any facility other than one authorized by Bartell Morrison Inc., or ancillary damage caused by or as a result of the defective equipment.
- Under no circumstances shall equipment be returned to Bartell Morrison Inc. or its authorized dealers, distributors, representatives or agents without the approval of Bartell Morrison Inc. as evidenced by a Returned Goods Number. To obtain a Returned Goods Number contact the factory or your authorized dealer, distributor, representative or agent.
- This warranty is for the sole benefit of the original end user purchaser and is not transferable to any other company or person.

# WALK BEHIND MATERIAL SPREADER INSTRUCTION MANUAL & PARTS BOOK

## MAINTENANCE RECORD

### PREVENTATIVE MAINTENANCE AND ROUTINE SERVICE PLAN

This Edger Power Trowel has been assembled with care and will provide years of service. Preventative maintenance and routine service are essential to the long life of your Material Spreader. Your dealer is interested in your new machine and has the desire to help you get the most value from it. After reading through this manual thoroughly, you will find that you can do some of the regular maintenance yourself. However, when in need of parts or major service, be sure to see your Bartell Morrison dealer. For your convenience we have provided this space to record relevant data about your Material Spreader. When in need of parts or service be prepared to provide your Material Spreader serial number. Locate the serial number now and record in the space below.

Date Purchased:		Type of Machine:	
Dealer Name:		Model:	
Dealer Phone:		Serial Number:	

## Routine Service Intervals

Due to the nature and environment of use, the Material Spreader could be exposed to severe operating conditions. Some general maintenance guidelines will extend the useful life of your machine.

- Regular service will prolong the life of the Material Spreader and prevent expensive repairs.
- Keeping your Material Spreader clean and free from debris is the single most important regular maintenance operation, over and above the checks in the service schedule that can be performed.
- After each use your Material Spreader should be emptied and cleaned to remove any dust and debris from the hopper, gate opening, roller and surrounding components.
- Check the dust guards on both sides and ensure the chain is clean of any concrete.
- Check the gate control handle for smooth operation.
- Failure to have your Walk Behind Material Spreader regularly serviced and properly maintained in accordance with the manufacturer's instructions will lead to premature failure and void the warranty.

## Using the Walk Behind Material Spreader

- Close the gate before adding any material into the hopper.
- Perform testing in order to determine a proper gate opening and proper working speed in relation to the desired quantity of material to be spread for the number of spreading passes.
- If the quantity of material has to be more than 2.5L per sq. meter, several passes will be needed.
- Walking backwards is recommended to prevent footprints.
- While spreading, lift at the handle to prevent the wheels from leaving wheel marks in the concrete.
- For best performance during spreading, keep the hopper over half full.
- Keeping your material spreader clean and free from debris is the single most important regular maintenance operation, over and above the checks in the service schedule that can be performed. After each use your spreader should be emptied and cleaned to remove any dust and debris from the hopper, gate opening, roller and surrounding components.

### Specifications:

Weight, excluding material----45kg

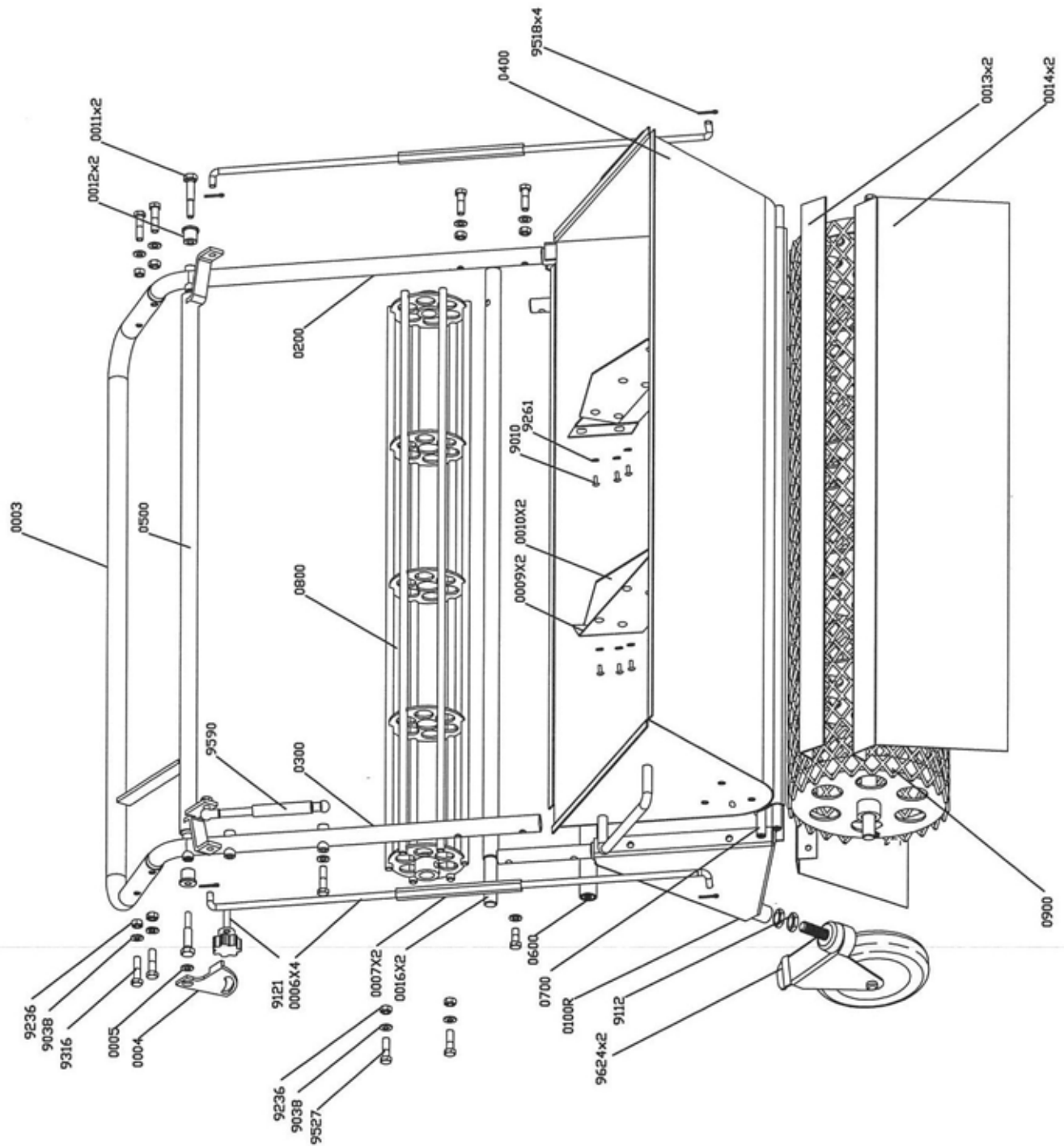
Max. amount of dry spreading material----32L

Max. spreading width----800mm

Max. diameter of the spreading material----5mm

# ASSEMBLY DRAWINGS AND PARTS LIST

# WALK BEHIND MATERIAL SPREADER INSTRUCTION MANUAL & PARTS BOOK

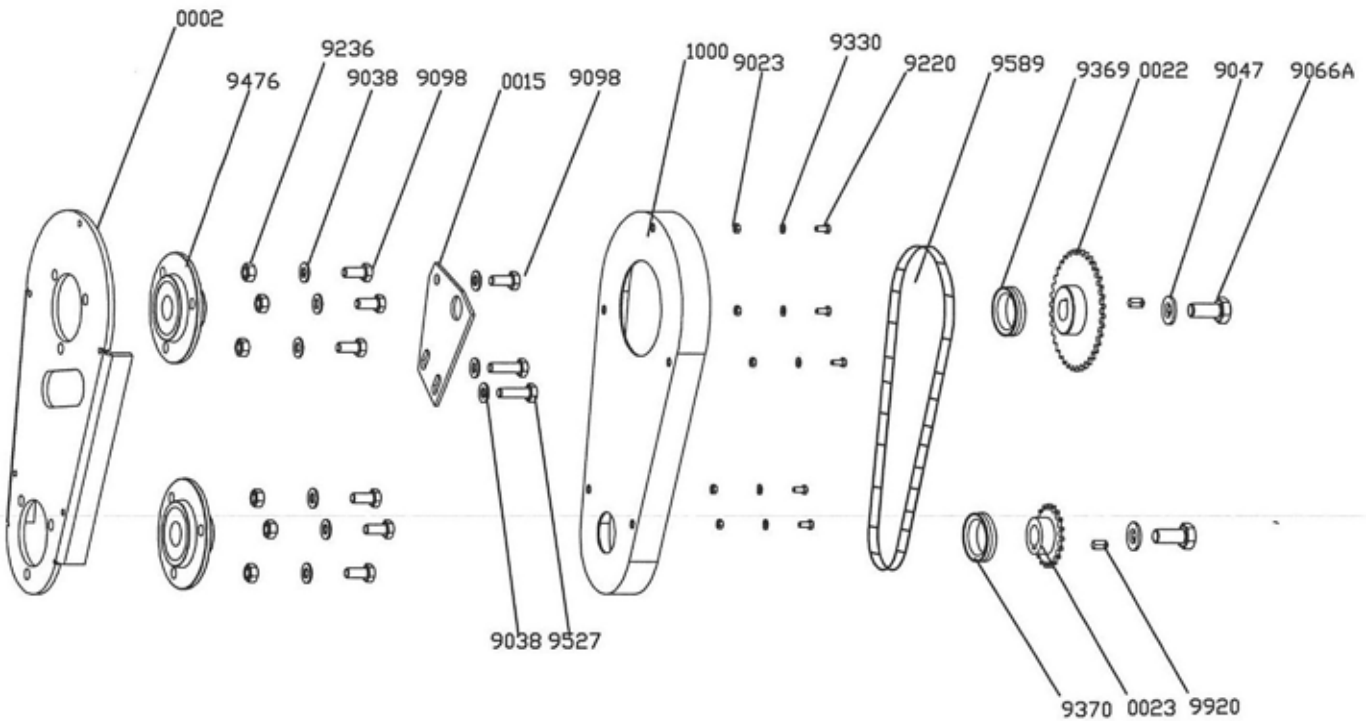
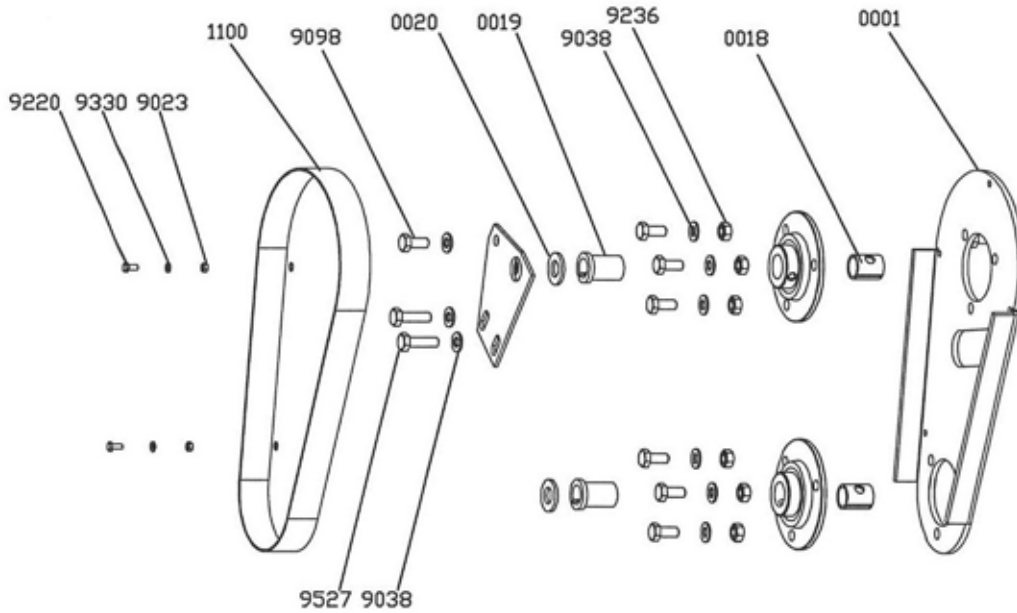


375 ANNAGEM BLVD, MISSISSAUGA, ONTARIO, CANADA, L5T 3A7, 905-364-4200 FAX 905-364-4201  
 200 COMMERCE DRIVE, FREEHOLD, NEW JERSEY, USA, 07728, 732-566-5400 FAX 732-566-5444

Created: 02/12  
 Revised: 06/14



# WALK BEHIND MATERIAL SPREADER INSTRUCTION MANUAL & PARTS BOOK



# WALK BEHIND MATERIAL SPREADER INSTRUCTION MANUAL & PARTS BOOK

## Material Spreader Parts List

PARTS NO.	DESP.	QTY
0003	Upper handle	1
0004	Block plate	1
0005	Washer	1
0006	Pull rod	4
0007	Connector	2
0009	Blade plate	2
0010	Blade	2
0011	Bolt	2
0012	Bushing	2
0013	Leather cover mounting plate	2
0014	Leather cover	2
0016	Mixer shaft	2
0100L	Left joint plate	1
0100R	Right joint plate	1
0200	Left handle tube	1
0300	Right handle tube	1
0400	Hopper	1
0500	Flow control handle	1
0600	Strengthen tube	1
0700	Block	1
0800	Mixer	1
0900	Roller	1
0001	Left mounting plate	1
0002	Right mounting plate	1
0015	Roller plate	2
0018	Bushing	2
0019	Bushing	2
0020	Check ring	2
0022	Large chain wheel	1
0023	Small chain wheel	1
1000	Inner belt guard	1
1100	Outer belt guard	1
9010	Screw	12
9023	Locknut	16
9038	Plate washer	28
9047	Plate washer	2
9066A	Hex bolt	2
9098	Hex bolt	16

# WALK BEHIND MATERIAL SPREADER INSTRUCTION MANUAL & PARTS BOOK

9112	Nut	4
9121	Knob	1
9220	Hex bolt	16
9236	Locknut	21
9261	Plate washer	12
9316	Hex bolt	4
9330	Plate washer	21
9369	Seal	1
9370	Seal	1
9476	Bearing	4
9518	Pin	4
9527	Hex bolt	4
9589	Chain	1
9590	Air spring	1
9624	Wheel	2
9920	Key	2

