

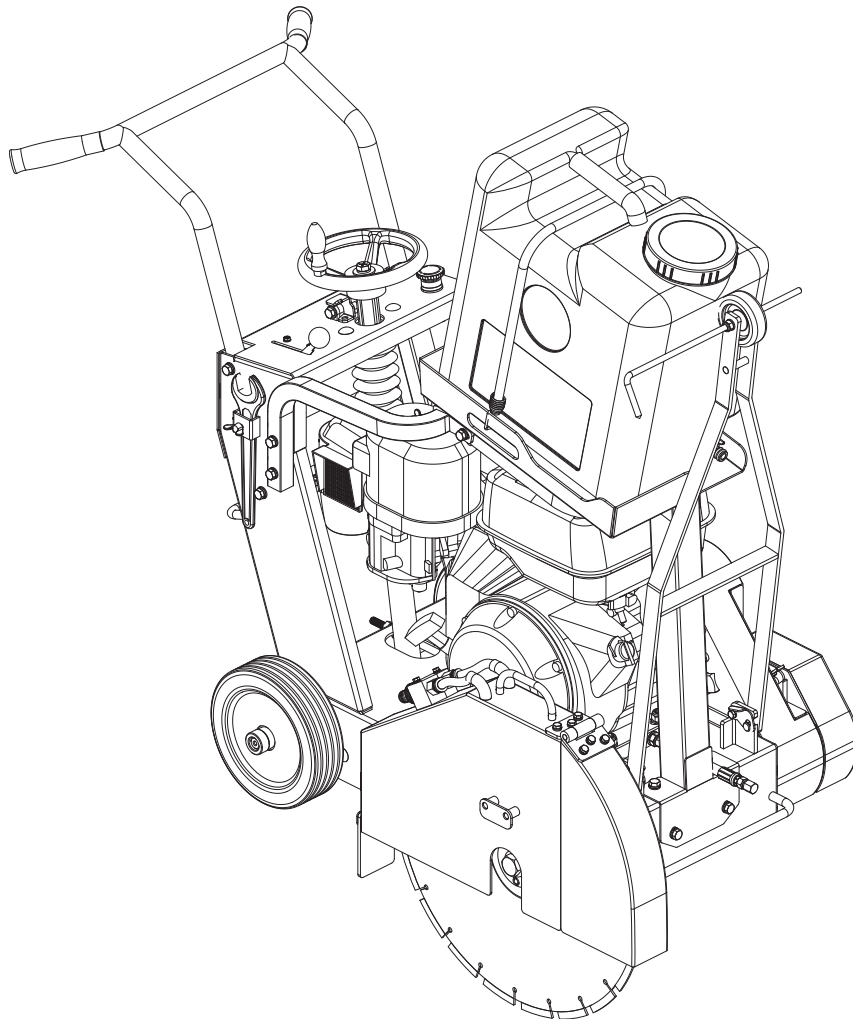
IDP1813SS

Walk Behind Saw



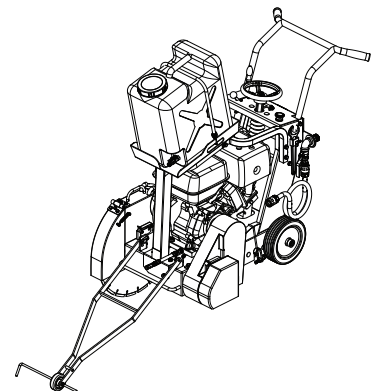
Owner's Manual

Keep for your records



ATTENTION!

Read safety and operating instructions carefully before operating the saw for the first time. Retain manual for future reference.




IDP1813SS
Walk Behind Saw

Contents

Contents	2	Care And Maintenance	10
		General Rules	10
		Cleaning	10
		Prolonged Period of Nonuse	10
		Extreme Temperature	10
		Air Filter	10
		Bearing Lubrication	10
		Engine Oil	10
		Engine Care	10
		Belt Tensioning	11
Safety Precautions	3	Troubleshooting	12
Health Warning	4	Replacement Parts List	14
Unpacking	4	Accessories	19
Set Up	4	How to Order	20
Features	5	Customer Service	20
Specifications	5	Contact Us	21
Installation and Operation	6	Warranty	22
Engine Preparation	6		
Blade Installation	6		
Front Pointer Alignment	6		
Using the Engine	7		
Wet Cutting	7		
Dry Cutting	7		
Left-Hand Side Cutting	7		
Cutting Depth	8		
Operating the Saw	8		
Proper Blade Use	9		

Safety Precautions

WARNING

- A. Read the owner's manual and engine manual carefully. Be sure to understand all content before operating the saw. Contact Bartell Morrison for missing manuals.
 - B. Make sure the saw is properly anchored while transporting the saw. Relying solely on the wheel brake will not keep the saw in place.
 - C. Do not transport the saw with the blade installed.
 - D. While maneuvering the saw, make sure the blade does not come in contact with the ground.
 - E. Do not use the saw in any other manner than which it was designed.
 - F. In the case of a malfunction, stop and secure the machine immediately. Fix the problem before using the saw again.
 - G. The blade should only be installed on the saw when it is time for use. Check the blade regularly for excessive wear, core crack formations and other abnormalities. Replace damaged blades immediately.
 - H. Shut off the engine and wait for it to cool before refueling. Wipe off any spills. Always move away from the fueling area before starting the engine.
 - I. Examine the fuel tank for damage and repair all leaks before operating the saw.
 - J. When operating the saw, be sure to wear proper safety gear, such as safety glasses, dust mask, and hearing protection. A hard hat is also recommended.
- 
- K. Wear proper apparel. Do not wear loose clothing or accessories. Keep hair and body parts away from openings and moving parts.
 - L. Maintain alertness while operating the machine. Failure to maintain attention, by the operator, may lead to serious injury.
 - M. Before you start working, familiarize yourself with the work site and its surroundings. Take notice of circumstances which may impede work or traffic, observe soil conditions (good bearing or not) and take measures to ensure safety (e.g. block off roadwork from public access).
 - N. Take measures to ensure that the machine is in a safe and trouble-free condition prior to usage. Use the machine only when all protective devices (i.e. guards, locks, emergency-off devices, etc...) are in place and in working order.
 - O. Keep out of reach of children. Before operating the machine, be sure the activated machine will be of no danger to anyone.
 - P. DO NOT place any portion of your body in line with the blade while it is rotating.
 - Q. Understand how to quickly shut off the saw in case of emergency.
 - R. Do not leave the saw unattended while the engine is running.
 - S. Keep both hands on the handle while pushing the saw.
 - T. Do not operate the machine when you are tired or while under the influence of drugs, alcohol or any medication.
 - U. Do not tamper with the engine or the factory settings (i.e. governor).
 - V. Engine exhaust is poisonous and inhaling large quantities can be fatal. Only operate the saw in well ventilated areas.
 - W. Follow all safety regulations for the safe handling of fuel.
 - X. Do not operate the saw near combustible material or fumes where sparks can cause a fire and/or explosion.
 - Y. Do not touch the engine while it is hot.
- Failure to comply with preceding warnings could result in serious bodily injury!***
- Keep both manuals with the saw at all times!***

Health Warning

Some dust created by power sanding, sawing, grinding, drilling, and other construction activities contain chemicals known to cause cancer, birth defects or other reproductive harm. Some examples of these chemicals are:

- Lead from lead-based paints,
- Crystalline silica from bricks, cement and other masonry products, and
- Arsenic and chromium from chemically-treated lumber.

The engine exhaust from this product contains chemicals known to the State of California to cause cancer, birth defects or other reproductive harm.

Your risk from these exposures varies, depending on how often you do this type of work. To reduce your exposure to these chemicals: Work in a well ventilated area, and work with approved safety equipment, such as dust masks that are specially designed to filter out microscopic particles.

Unpacking

Open the container and carefully remove the saw. Be sure that you have the following items before you discard the crate:

- Saw
- Push handle
- Owner's manual
- Engine manual

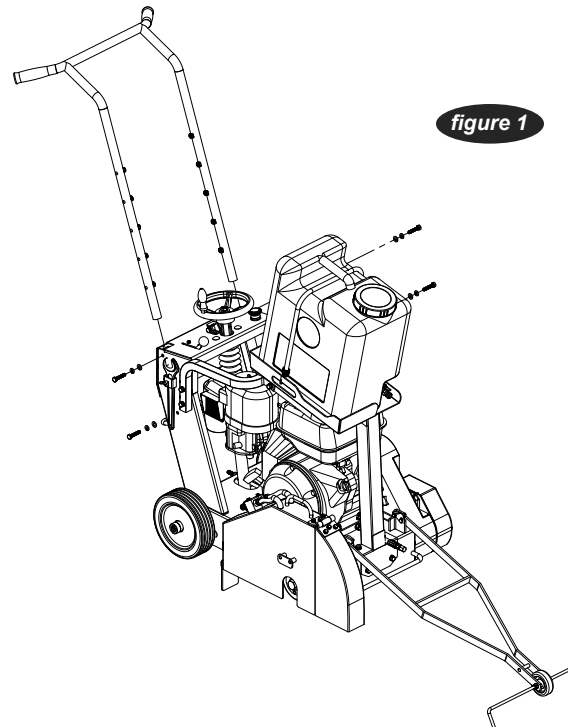
See also page 19 for additional optional accessories.

Set Up

Proceed to the following section to complete the assembly of the saw:

1. Insert the push handle into the two slots found on the face of the control panel. (**see figure 1**)

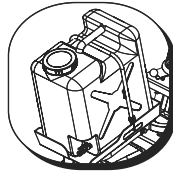
2. Lift the handle to the height best suited for the user and fasten the handle in place.
3. Refer to the engine owner manual to prepare the engine for use. Note that the saw is shipped with no oil or fuel in the engine.



Features

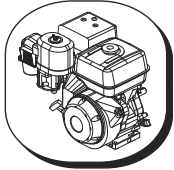
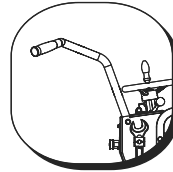
8 Gallon Water Tank

Allows the user to be mobile from a water hose while still providing a constant flow of water to the blade for efficient dry cutting.



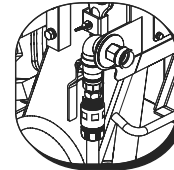
Telescopic Push Handle

Allows the user to raise or lower the handle to the height best suited for them.



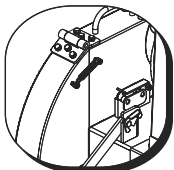
GX390 Honda Engine

The new Honda GX390 engine is more powerful, quieter, uses less fuel, and has less emissions than its predecessor.



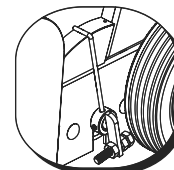
Garden Hose Adapter

Designed to connect to a standard garden hose, the adapter adds the convenience of drawing water from anywhere for efficient wet cutting.



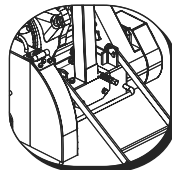
Quick-Disconnect Design

Helps make removing and installing the blade guard and front pointer quick and easy.



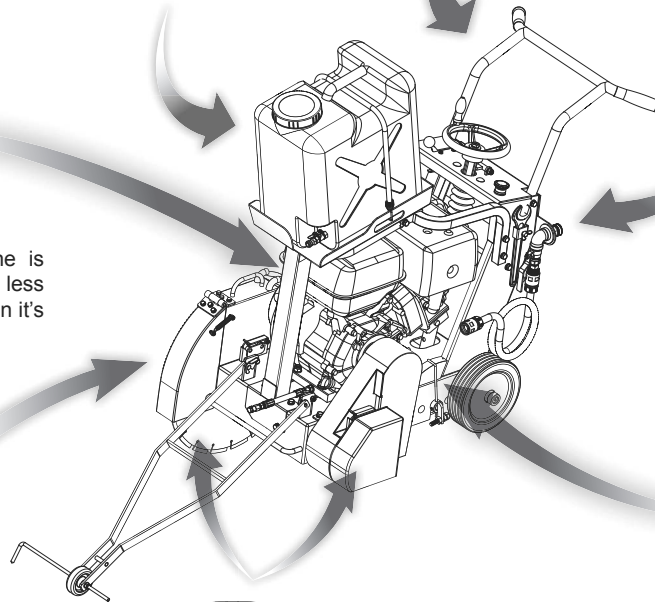
Depth Guide Indicator

For precision cuts, the depth guide indicator allows users to know how deep they are cutting at all times.



Left and Right Side Cutting

Allows users to adjust the blade guard to either side and perform accurate cuts.



Specifications

Bartell Morrison IDP1813SS WALK BEHIND SAW

Engine	Fuel Capacity	Max. Blade Capacity	Cutting Depth	Weight	Dimensions
Honda GX390 11 HP (8.2 kW), 18.5 lbs ft, 3,600 RPM	6.4 US qt (6.1 L)	18" blade with 1" arbor	5½"	308 lbs w/crate	Length: 45.9" Width: 24.4" Height: 42.5"

* Dimensions include water tank.

Installation and Operation

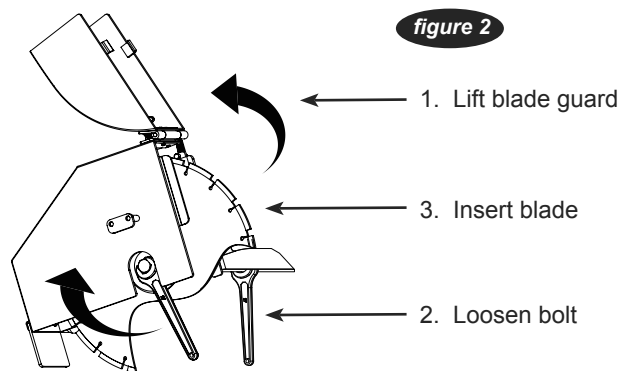
ENGINE PREPARATION

1. Refer to the engine owner manual to prepare the engine for use. Be sure to understand all of the content before operating the saw.

Note that the saw's engine is shipped with no oil or fuel inside.

BLADE INSTALLATION

1. Make sure the engine is turned off. Disconnect the spark plug.
2. Raise the saw so the blade is at its highest position and the rear wheel locks have been engaged.
3. Open the blade guard cover by lifting the front end of the blade guard.
4. Use the two supplied wrenches (secured on the left and right side of the saw frame) to hold the blade shaft in place and to remove the shaft bolt. (*see figure 2*) The blade shaft bolt on the belt guard side is a right-hand bolt while the bolt on the opposing end is a left-hand bolt. Remove the bolt and the outer flange.

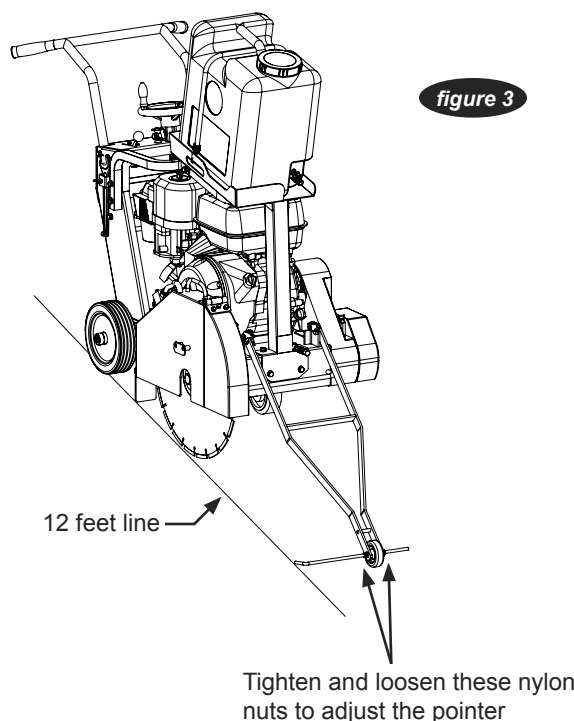


5. Install/replace the blade on the inner flange. Make sure the arrow on the blade and the arrow on the blade guard are pointing in the same direction.
6. Align the drive pin hole on the blade with the hole on the inner flange, then reinstall the outer flange.
7. Tighten the blade shaft bolt using both wrenches.

8. Close the forward blade guard cover and reinstall the spark plug.

FRONT POINTER ALIGNMENT

1. Find a fairly flat surface. Draw a straight line on that surface, approximately 12 feet in length.
2. Position the saw so that its blade and front pointer run parallel over that line. (*see figure 3*) The blade should be about 1/4" from the ground or lower. Do not allow the blade to touch the ground.
3. Push the saw forward to see if the pointer moves away from the line. If it does, adjust the pointer and repeat steps 2 and 3 until it does not. If not, then the pointer is aligned.



WARNING:

While maneuvering the saw, make sure the blade does not strike the ground.

USING THE ENGINE

Note that the saw's engine is shipped with no oil or fuel inside.

1. Refer to the engine manual to start and stop the engine. Be sure to understand all of the content before operating the saw.
2. Make sure the emergency stop on the saw is disengaged before attempting to start the engine. **(see figure 4)** To disengage the emergency stop, rotate the stop button in the direction of the arrows.
3. To stop the engine or to stop the engine in an emergency, firmly press down on the emergency stop.

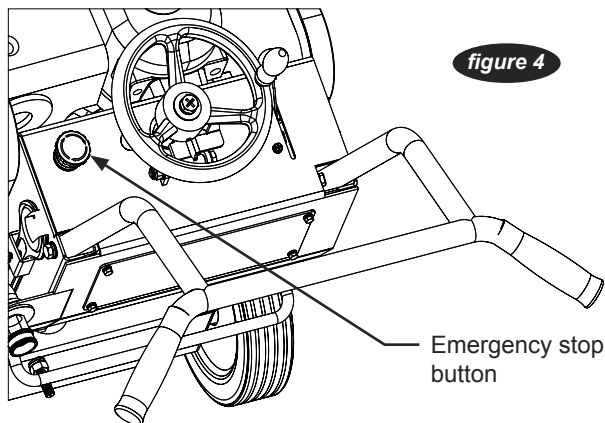
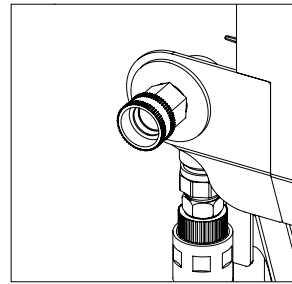


figure 4

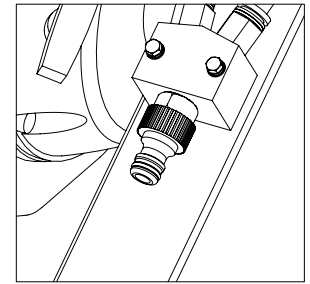
WET CUTTING

1. Make sure a blade meant for wet cutting is installed on the saw.
2. Connect the saw to a reliable water source such as a garden hose or water tank. **(see figure 5 and 6)** Make sure the valve on the inlet is closed.
3. When the saw is in position and ready to cut, adjust the water valve so that it is fully open. A minimum of 4-6 gallon per minute of water is needed for the blade to function properly. Make sure the water supply is turned on before cutting.

figure 5

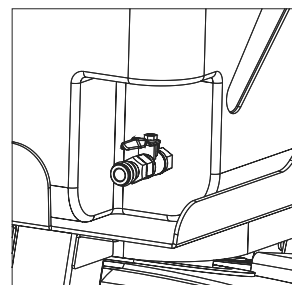


1. Connect this inlet to a water source using a standard garden hose. (Located on saw frame)

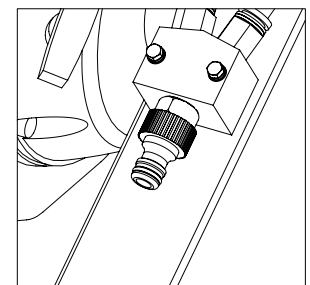


2. Connect the other end of the supplied water hose to this blade guard fitting. (Located on blade guard)

figure 6



1. Connect one end of the supplied water hose to this water tank fitting. (Located on water tank)



2. Connect the other end of the supplied water hose to this blade guard fitting. (Located on blade guard)

DRY CUTTING

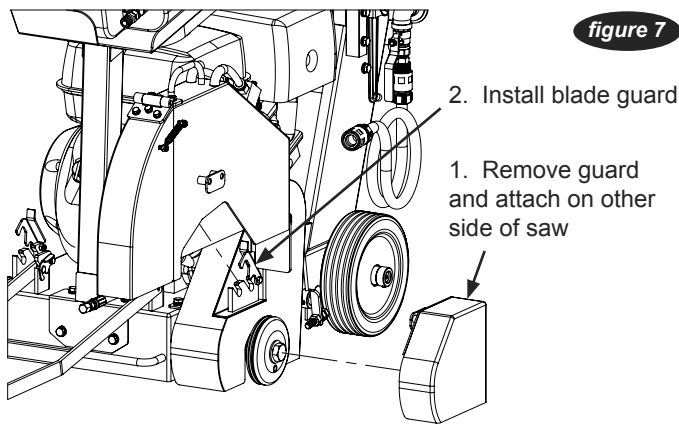
Check the engine air filter at least every 4 hours while dry cutting. Refer to the engine manual for filter maintenance.

1. Make sure a blade meant for dry cutting is installed on the saw.
2. Make sure to use proper safety equipment such as a dust mask and air filter while dry cutting.

LEFT-HAND SIDE CUTTING

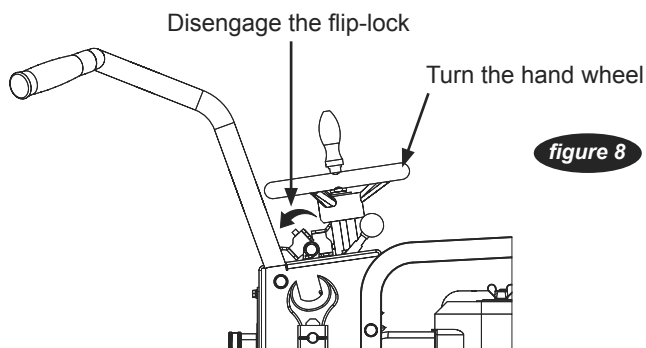
1. The saw must be turned off before changing the location of the blade guard.
2. Once the blade stops moving, unlock the blade guard and the blade shaft guard. Pull up on the locks to release the guard. **(see figure 7)**
3. Change the positions of the guards and reengage their

respective locks. Note that both guards must be in place before the saw can be turned on.



CUTTING DEPTH

1. Disengage the flip-lock under the hand wheel. With the hand wheel free to rotate, **see figure 8**, turn it to raise and lower the blade.
2. After setting the desired cutting depth, re-engage the flip-lock. The lock must be used, otherwise vibration from the engine or cutting, can cause the hand wheel to move.



OPERATING THE SAW

1. Follow steps written in section ENGINE PREPARATION and FRONT POINTER ALIGNMENT before proceeding.
2. Check the blade for wear, core crack formations, loss of segments, discoloration and other abnormalities. Replace the blade if necessary. To install/replace the blade, follow the steps written in section BLADE INSTALLATION.
3. Raise the blade to its highest allowable position, before the rear wheel's lock, and maneuver the saw to the desired starting position. While positioning the saw do not let the blade touch the ground.
4. Use the front pointer and blade as reference to properly orient the saw for cutting.
5. If dry cutting, follow steps written in section DRY CUTTING to prepare the saw. If wet cutting, follow steps written in section WET CUTTING to prepare the saw.
6. To start the engine follow steps written in section USING THE ENGINE.
7. Before lowering the blade into the ground, make sure the engine is at full throttle.
8. To lower the blade, follow steps written in section CUTTING DEPTH. The blade should be lowered gradually giving it time to work. Cuts should be made at most two inches deep per pass. Deeper cuts will require several passes.
9. Push the saw forward using both hands. Keep side pressure at a minimum to prevent damaging the blade. Use the proper pushing force, allowing the blade to cut without overburdening the engine. Note that newer blades need time to expose the diamonds, so push slowly. If the engine stalls, raise the blade fully from the groove before restarting.
10. If the saw has to travel backwards, raise the blade from the ground first.
11. At the finish of the cut, raise the blade from the groove and shut off the engine. Do not leave the saw unattended until the blade stops spinning.

Proper Blade Use

	Dos	Don'ts
Wet Cut Blades	<ul style="list-style-type: none"> • Inspect blades daily for cracks or uneven wear. • Always use appropriate blade for material being cut. • Inspect arbor shaft for uneven wear before mounting blade. • Always use blades with the correct arbor shaft size. • Ensure that blade is mounted in the correct rotation direction. • Use proper safety equipment when operating the saw. • Always have a continuous flow of water on both sides of blade. • Secure the blade to the arbor with a wrench. 	<ul style="list-style-type: none"> • Do not operate the saw without safety guards in position. • Do not operate the saw with blades larger than 18". • Do not cut dry with blades marked "Use Wet". • Do not exceed manufacturer's recommended maximum RPM. • Do not force blade into material. Let blade cut at its own speed. • Do not attempt to cut a radius or curve. • Do not cut beyond 2" in depth per pass. • Do not cut backwards.
Dry Cut Blades	<ul style="list-style-type: none"> • In addition to the following, always follow wet recommendations. • Use appropriate blade for material being cut. • Inspect segment blades for segment cracking or loss. • Do not use damaged blades. • Use proper safety equipment when operating the saw. 	<ul style="list-style-type: none"> • In addition to the following, always follow wet recommendations. • Do not make long cuts with dry blades. Allow them to air cool. • Do not use the edge or side of blade to cut or grind. • Do not cut too deep or too fast into the material. • Do not cut any material not recommended by blade manufacturer.

Care and Maintenance

⚠ WARNING:

For your safety, before performing any maintenance on the saw, make sure the engine is switched off, the spark plug is disconnected AND the engine is no longer in motion.

GENERAL RULES

- Always clean the machine before performing any maintenance/repair.
- Clean the machine daily, and after use, to make sure the saw runs smoothly. Do not allow debris and sludge to build-up, or the saw's performance may be affected.

Steps to Follow When Cleaning:

- Please do not use aggressive cleaners (i.e. containing solvents). Do not use high-pressure water jets, aggressive detergents or solutions and liquids with a temperature exceeding 86°F! Use a fluff-free cloth only.
- Use a cloth which may be lightly moistened only for removing dust and dirt. Hard packed dirt can be removed with a soft brush.
- Use a soft, low-pressure water jet and a brush to rinse dirt and incrustations away. Be particularly careful when near hazardous parts of the machine (e.g. switch, motor). Clean the motor and switches only by wiping with a moist cloth.
- Do not "rinse" the bearings of the drive elements to prevent them from running dry. The ball bearings of the machine need to be re-lubricated periodically.

PROLONGED PERIOD OF NONUSE

Before not using the machine for a prolonged period of time:

- Clean and lubricate all movable parts. Read the engine owner manual about preparing the engine for storage.

After not using the machine for a prolonged period of time:

- Clean and lubricate all movable parts. Read the engine

owner manual about preparing the engine for use.

- Check that all fasteners are tightened properly.

EXTREME TEMPERATURE

Ambient temperature below 32° F (Winter):

- To prevent water from freezing on your machine, remove all water after using the machine or when there will be a long break. Make sure there is no water left inside the water hose!

AIR FILTER

- Read the engine manual about handling the air filter system.
- When cutting dry the filter will have to be checked every four hours for clogging. Replace or clean the filters when necessary, or as instructed by the engine manual.

BEARING LUBRICATION

- Re-lubricate the blade shaft bearings every time before using the saw. If cutting dry, re-lubricate the bearings after every four hours of continual use.
- Re-lubricate the under-cart pivot bearings after 40 hours of use.
- Inject enough grease so that a bead forms at the grease nipple. This insures adequate lubrication and prevents foreign debris from entering.
- Use aluminum complex NLGI #2 grade or compatible grease only. Mixing incompatible greases will affect its ability to lubricate the bearings.

ENGINE OIL

- The oil tank must be filled to a certain level before the engine can be used.
- To add, check, or replace the engine oil, refer to the engine manual for instructions.

ENGINE CARE

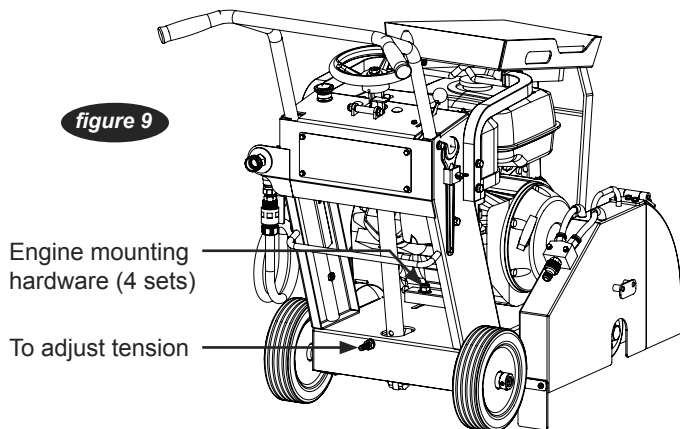
- Read the engine owner manual about caring for the engine and its various components.

BELT TENSIONING

Note that the engine **MUST** be switched OFF, spark plugs disconnected **AND** the engine is no longer in motion before proceeding further.

Upon receiving the saw the belt may need to be re-tensioned after two hours of use. This is normal for new belts which can stretch/expand after initial use. The belt should not be over tensioned as that may cause the crankshaft, bearings and various other components to fail prematurely. Having the belt too loose will cause it to slip, decreasing cutting performance and promoting belt wear.

1. To adjust the belt's tension, loosen the engine mounting hardware and adjust the rear tensioning nut accordingly. To observe the belt's tension, remove the belt guard.
2. Shift the engine so the belt is either loose enough to be replaced, or the belt is tight enough that proper tension is restored.
3. Re-tighten the motor mounting hardware. Before re-mounting the belt guard, check the sheaves to make sure they are aligned. Observe **figure 9** for common misalignments.
4. Run the motor for 15 minutes. Impose peak load to determine if the belt is slipping. If slippage occurs re-tension the belt again.



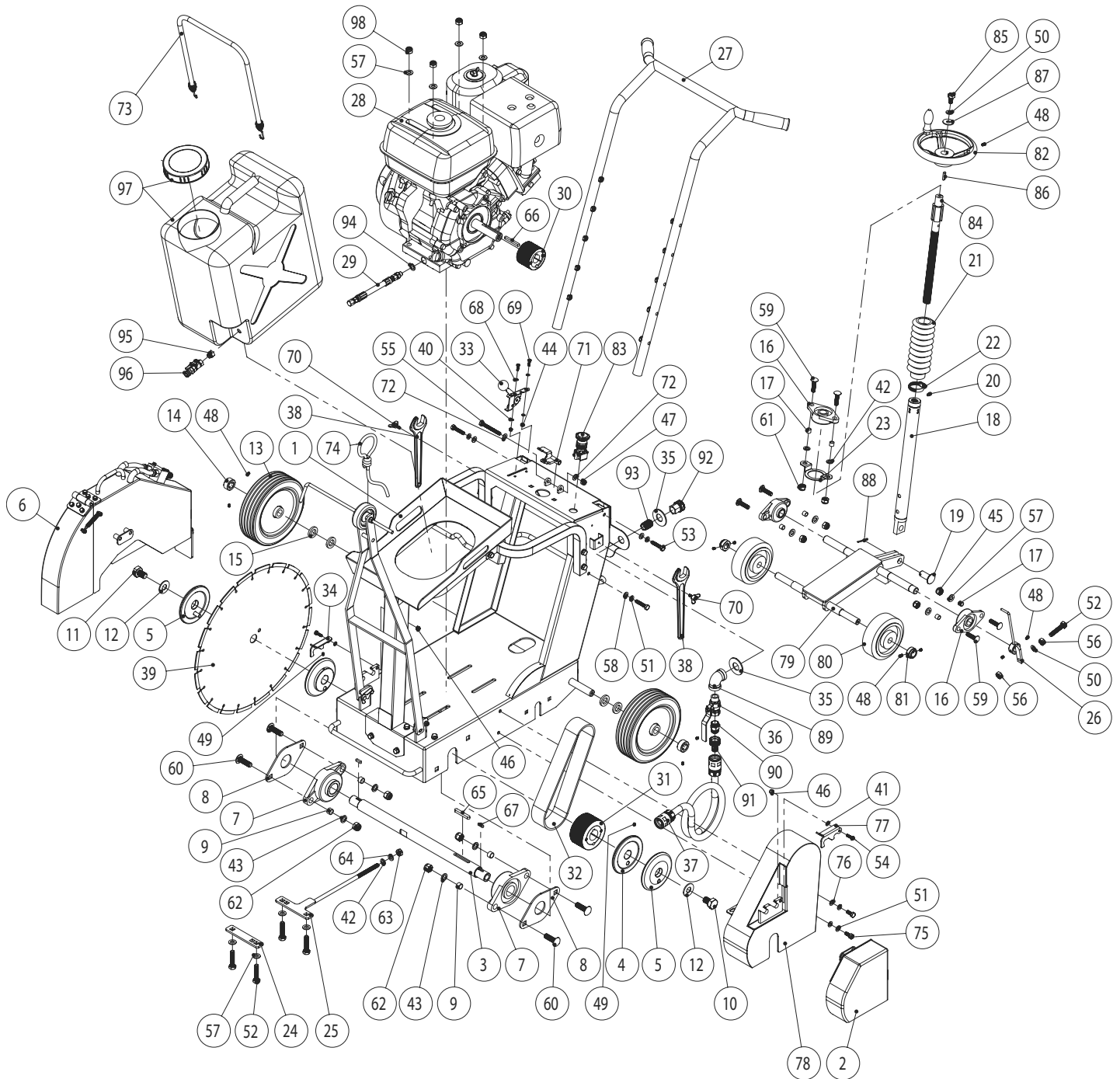
Troubleshooting

<i>Problem</i>	<i>Possible Cause</i>	<i>Solution</i>
Engine will not start	Refer to the engine owner manual for troubleshooting instructions	Refer to the engine owner manual for troubleshooting instructions
Insufficient flow of cooling water or no cooling water at all	Blade guard is not receiving water	Make sure the supplied hose is connected to the valve fitting on the water tank or on the side of the saw
	Water outlets on blade guard are clogged	Clean the blade guard's interior and check for signs of blockage
	Valves are shut off	Turn water valve levers to the required output
	Water tank is low on water or empty	Fill water tank with water until full
Irregular run of the saw blade	Poor tension in the blade material	Return the saw blade to the manufacturer
Saw blade wobbles when running	Saw blade is damaged or bent	Have the saw blade aligned / flattened
		Clean the receiving flange
		Solder the diamond segments of the old blade onto another saw blade or use a new blade
	Flange of the saw blade is damaged	Replace the saw blade flange
	Shaft of the motor is bent	Replace the electric motor
Diamond segment becomes loose	Overheating of the saw blade; cooling water not sufficient	Have the diamond segment soldered on the blade again; ensure optimum flow of cooling water
Excessive wear	Wrong type of saw blade	Use harder saw blades
	Shaft of motor causes wobbling	Have bearings of the motor or the motor replaced
	Overheating	Ensure optimum flow of cooling water

<i>Problem</i>	<i>Possible Cause</i>	<i>Solution</i>
Cracks in or near the diamond segment	Saw blade too hard	Use a softer blade
	Fixed flange is worn out	Replace the fixed flange
	Motor shaft bearing	Replace the bearing of the motor shaft
Saw blade is blunt	Saw blade type is unsuitable for the material being cut	Use appropriate type of saw blade
	Saw blade type is unsuitable for the machine performance	
	Saw blade too hard	
	Diamond segments are blunt	Sharpen the diamond saw blade
Appearance of cut is not optimal	Poor tension in the blade material	Return the saw blade to the manufacturer
	Too much load placed on the saw blade	Use a suitable saw blade
	Diamond segments are blunt	Sharpen the saw blade
The center hole in the saw blade has become wider due to wear	The saw blade has slipped on the motor shaft when running	The arbor of the saw blade must be fitted with an appropriate adaptor ring
		Check the receiving flange and have it replaced if necessary
Saw blade shows blooming colors	Saw blade overheating due to a lack of cooling water	Ensure an optimum flow of cooling water
	Lateral friction when cutting	The material feed is too high; proceed more slowly
Grinding marks on the saw blade	Material is not being fed parallel to the saw blade	Ensure that the direction of feed is absolutely parallel to the saw blade
	Poor tension in the blade material	Have the saw blade tensioned
	Too much load on the saw blade	The material feed is too high, proceed more slowly

Replacement Parts List

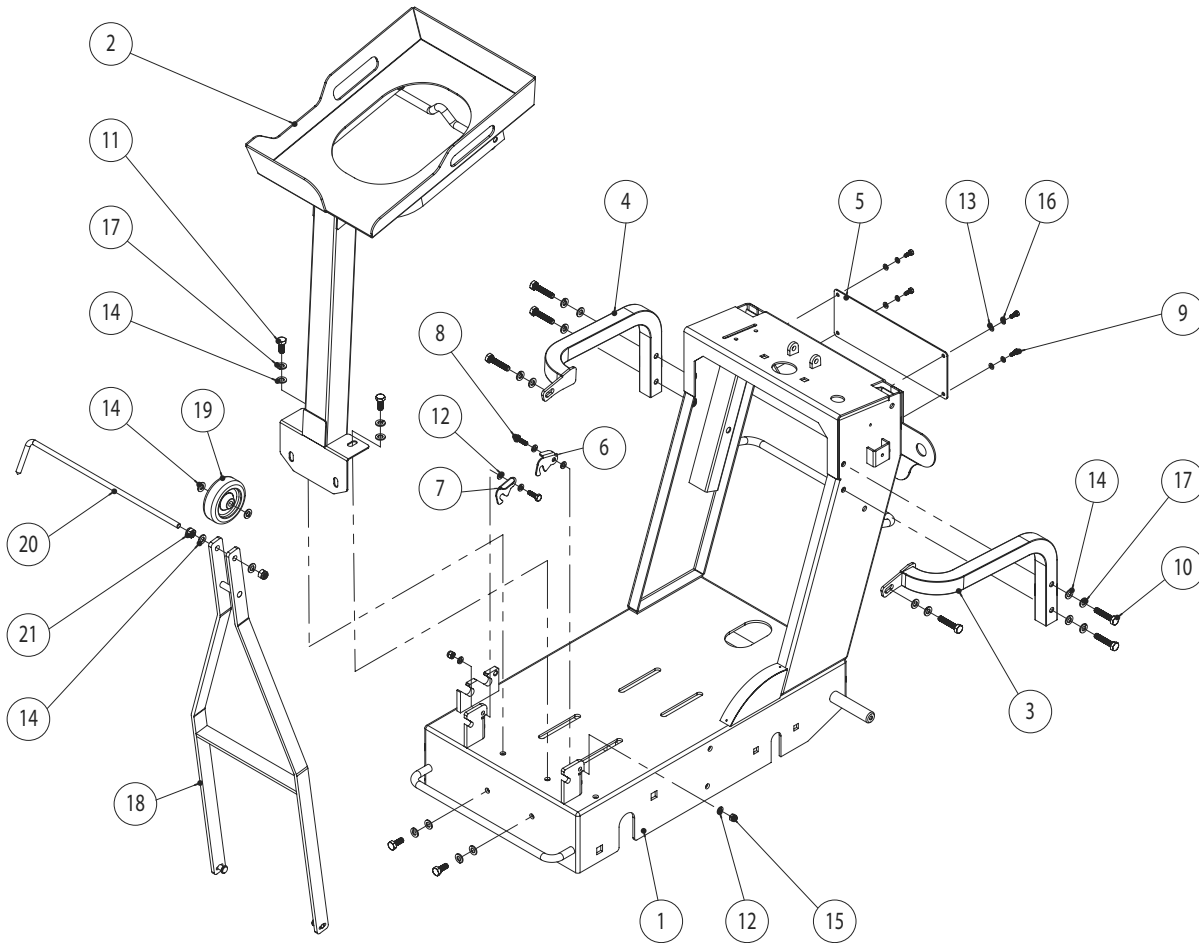
MAIN ASSEMBLY



DESCRIPTION	PART NO	DESCRIPTION	PART NO
1. Frame weldment w/water tank bracket and pointer	SS230080	46. M6 X 1.0 Nylon Nut	SS1375
2. Shaft guard	SS230081	47. M8 X 1.25 Nylon nut	SS0155
3. Blade shaft	SS230082	48. M6 X 1.0 X 6L Flat point set screw	SS25144
4. Inner flange	SS230083	49. M6 X 1.0 X 6L Flat point set screw	SS25144
5. Outer flange with pin	SS230084	50. M10 Spring lock washer	SS0307
6. 18" Blade guard	SS230085	51. M8 Spring lock washer	SS0121
7. D1-1/4 Flange caster bearing, UCFL207-20	SS230052	52. M10 X 1.5 X 50L Hex bolt	SS420255
8. Bearing spacer	SS230086	53. M8 X 1.25 X 40L Hex bolt	SS081254007
9. D16 d12.7 X 10L Bushing	SS230087	54. M6 X 1.0 X 20L Hex bolt	SS150018
10. 5/8 - 11 X 1 UNC Hex bolt	SS230088	55. M8 X 1.25 X 70L Hex bolt	SS335253
11. 5/8 - 11 X 1 UNC Hex bolt - Left	SS230089	56. M10 X 1.5 Nut	SS420053
12. 5/8 Washer	SS4234	57. M10 Wide washer	SS0338
13. 8" (D203.2) d19.05 X 53W Wheel	SS230029	58. M8 Narrow washer	SS0120
14. d19.05 Set collar	SS230090	59. 3/8 - 16 X 1-1/2L UNC Square neck bolt	SS4245
15. D32 d19 X 5L Spacer	SS230091	60. 1/2 - 13 X 1-3/4L UNC Square neck bolt	SS4225
16. D20 Flange caster bearing, UCFL204	SS6043479	61. 3/8 - 16 UNC Nylon nut	SS4248
17. D12 d9.5 X 10L Bushing	SS230092	62. 1/2 - 13 UNC Nylon nut	SS4228
18. Adjustment shaft	SS230093	63. 3/8 - 16 UNC Nut	SS481078
19. M16 X 39L Clevis pin	SS230094	64. M10 Spring lock washer	SS0307
20. (1/4-28 UNF) Grease fitting	SS42179	65. 8 X 7 X 58L Square key	SS230063
21. Bellow	SS230037	66. 6 X 6 X 58L Square key	SS4298
22. 1-3/4" - 13/16" Hose clamp	SS6043482	67. 5 X 5 X 20L Square key	SS230020
23. Bellow mount washer	SS230095	68. M5 Narrow washer	SS25054
24. Belt adjustment bracket	SS230096	69. M5 X 0.8 X 16L Hex bolt	SS230112
25. Motor tensioning plate	SS230097	70. M6 X 1.0 X 10L Wing screw	SS4294
26. Depth indicator	SS230098	71. Flip lock	SS230113
27. Handle bar	SS230099	72. M8 Narrow washer	SS0120
28. GX390U1QXC9 Honda engine	SS230100	73. 24" Hooked bungee cord	SS230114
29. GX390 Oil hose assembly	SS230101	74. Rope	SS230115
30. 1" (25.4mm) Bore micro-V pulley (D65mm)	SS230102	75. M8 X 1.25 X 20L Hex bolt	SS100109
31. 1-1/4" (31.75mm) Bore micro-V pulley (D90mm)	SS230103	76. M8 Narrow washer	SS0120
32. Micro-V belt, 280PJ 20 rib	SS230009	77. Right guard quick-release lock	SS230116
33. Throttle control	SS4260	78. Belt guard	SS230117
34. Left guard quick-release lock	SS230104	79. Front axle weldment	SS230118
35. D51 d23 X 2.8L Fitting washer	SS42164	80. 4" (D125) d17 X 55W Wheel	SS230018
36. Female 1/2" PT X male 1/2" PT straight ball Valve fitting	SS42144	81. d17 Set collar	SS4243
37. Female 1/2" gardena X female 1/2" gardena X 1.5M hose	SS230105	82. 7" Hand wheel with handle	SS230119
38. Size 27 open-end wrench	SS230025	83. Push button stop switch	SS230125
39. Diamond Blade	BLADE	84. Adjustment screw	SS230120
40. M5 Narrow washer	SS25054	85. M10 X 1.5 X 20L Hex bolt	SS0305
41. M6 Narrow washer	SS0384	86. 5 X 5 X 25L Square key	SS4282
42. M10 Wide washer	SS0338	87. M10 Wide washer	SS0338
43. 1/2 Narrow washer	SS4226	88. M 3.2 x 38.8L Standard cotter pin	SS230121
44. M5 X 0.8 Nylon nut	SS150230	89. Female 1/2" PT X female 1/2" PT elbow fitting	SS230026
45. M10 X 1.5 Nylon nut	SS3704228	90. Male 1/2" PT X male 1/2" BSP	SS230122
		91. Male 1/2" gardena X female 1/2" BSP straight fitting	SS230123
		92. Female 3/4" Garden swivel X female 1/2 PT straight fitting	SS42168

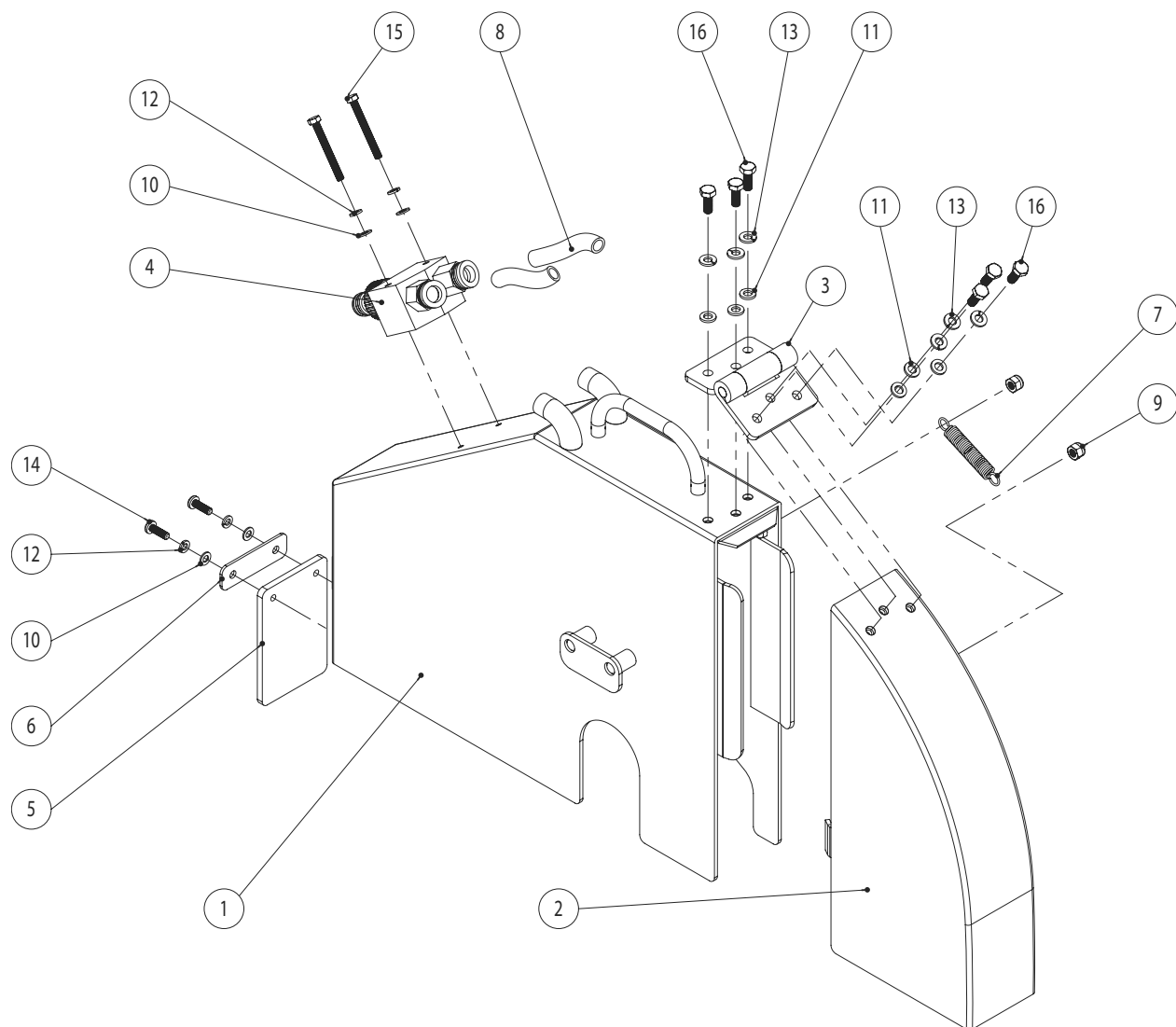
DESCRIPTION	PART NO
93. Male 1/2" PT X male 1/2" PT straight fitting	SS42166
94. D19.8 d12.4 X 2L Oil fitting washer	SS230124
95. Male 1/4" PT X d9.2 through-wall coupling	SS230126
96. Male 1/2" gardena X female 1/4" PT straight ball valve fitting	SS230127
97. 30 Liter (8 gal) water tank	SS230128
98. M10 X 1.5 Nylon nut	SS3704228

FRAME ASSEMBLY



DESCRIPTION	PART NO	DESCRIPTION	PART NO
1. Frame weldment	SS230130	12. M6 Narrow washer	SS0384
2. Water tank bracket	SS230131	13. M5 Narrow washer	SS25054
3. Bracket left arm support	SS230132	14. M8 Narrow washer	SS0120
4. Bracket right arm support	SS230133	15. M6 X 1.0 Nylon Nut	SS1375
5. Access panel	SS230134	16. M5 Spring lock washer	SS25053
6. Left pointer quick-release lock	SS230135	17. M8 Spring lock washer	SS0121
7. Right pointer quick-release lock	SS230136	18. Pointer weldment	SS230137
8. M6 X 1.0 X 20L Hex bolt	SS150018	19. Ø75mm Wheel	SS230061
9. M5 X 0.8 X 16L Hex bolt	SS230112	20. Pointer	SS230138
10. M8 X 1.25 X 40L Hex bolt	SS081254007	21. M8 X 1.25 Nylon nut	SS0155
11. M8 X 1.25 X 20L Hex bolt	SS100109		

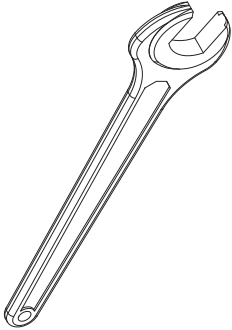
BLADE GUARD ASSEMBLY



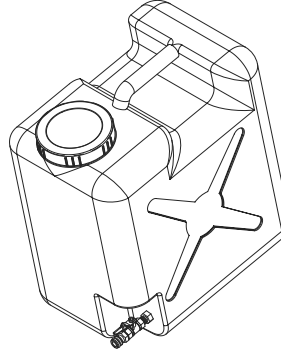
DESCRIPTION	PART NO
1. 18" Primary blade guard body	SS230139
2. 18" Forward blade guard cover	SS230140
3. Hinge	SS230141
4. Water hose manifold	SS230142
5. Splash flap	SS230049
6. Splash flap washer	SS230143
7. Spring	SS230144
8. LH PU Ø8 X Ø12 X L	SS230145

DESCRIPTION	PART NO
9. M6 X 1.0 Nylon Nut	SS1375
10. M5 Narrow washer	SS25054
11. M6 Narrow washer	SS0384
12. M5 Spring lock washer	SS25053
13. M6 Spring lock washer	SS11090
14. M8 X 0.8 X 15L Cross screw	SS25058
15. M5 X 0.8 X 45L Hex bolt	SS5703
16. M6 X 1.0 X 15L Hex bolt	SS11089

Accessories



Size 27 open-end wrench
Part No. SS230025



30 Liter (8 gal) water tank
Part No. SS230146

How to Order

INFORMATION NEEDED FOR ORDERING PARTS

- Serial number of the saw
- Model number of the saw
- When and where the saw was purchased
- Part number and description

TO ORDER

All parts may be ordered from your local dealer. If the part is not stocked locally, call our customer service department at 1-866-501-1683 or you may visit us at www.bartellmorrison.com or bmiamerica.com.

PRICES

All orders are subject to prices and terms of sale in effect on date of shipment. Prices may change to reflect market trends in the industry, so that our products remain competitive in quality and pricing. As such, prices are subject to change without notice.

Promotional prices and discounts are subject to verification after order is placed. The customer will be notified if there are any errors found in pricing that affect the invoice amount.

DELIVERY & FREIGHT

Bartell Morrison reserves the right to select origin of shipment, routing and method of transportation.

Premium freight charges (such as air freight) will be at the purchaser's expense (shipped collect or added onto invoice).

Products not in stock when order is placed will be shipped as soon as possible thereafter.

RETURN MERCHANDISE AUTHORIZATION (RMA)

No products are to be returned without prior written authorization and then only in accordance with the company's instructions and terms. Proof of purchase (e.g. copy of original invoice) along with serial numbers for all equipment

should accompany all RMA requests.

All returned products must be in sellable condition, include all components, and be packed in original packaging. The RMA number assigned by customer service must be clearly marked on the accompanying packing slip. Any returns not satisfying these conditions will be promptly returned to the customer at their expense. The customer assumes all freight charges and is liable for the purchase value of any damaged goods.

Customer Service

AFTER SALE SERVICE

All customer service (e.g. technical questions, reordering of parts, etc.) will be provided by Bartell Morrison. All spare parts for after sales service will be stocked and shipped from our warehouse.

CLAIMS FOR LOST OR DAMAGED GOODS

If merchandise is delivered in damaged condition or carton are missing, a notation must be placed on all papers signed by the receiver.

If unreported or concealed damages are noticed after delivery, the carrier should be contacted by telephone and if carrier fails to send an inspector within five days, a request should be made in writing to the carrier, confirming the telephone request for an inspection.

All requests for credit due to transportation loss or damage should be accompanied by properly signed papers. A claim for loss or damage must be filed with the carrier within 60 days from the shipping date for UPS or other common carriers. Credit cannot be allowed for damage claims that are not properly sustained with supporting papers or received by Bartell Morrison too late for timely filing with the carrier.

Contact Us

We at Bartell Morrison pride ourselves on our customer service. If you have any questions regarding our products, whether it may be product inquiry or troubleshooting, please don't hesitate to contact us. We will do our best to answer your questions. In some cases we may even refer you to a local sales representative that can better service you. You can call us at the contact information listed below:

CUSTOMER SERVICE

Phone: (866) 501-1683

Email: blyons@bartellmorrison.com

Web: www.bartellmorrison.com

Warranty

SAWS

For a period of one (1) year from the original date of purchase, if the product is determined to be defective, Bartell Morrison will repair or replace the product, at its option, at no charge to the customer, or pay the associated repair costs to an authorized service facility. All replacement parts, new or rebuilt, supplied at Bartell Morrison's option for repairs will be warranted for the remainder of the original warranty period of one (1) year. All defective products or components replaced under this limited warranty will become the property of Bartell Morrison. This limited warranty excludes all components not manufactured by Bartell Morrison, which are listed below with their corresponding independent warranty periods. Such components are warranted by their respective manufacturer, whose warranty will be the governing warranty for that particular product.

EXCLUDED COMPONENTS	MANUFACTURER'S WARRANTY
Electric Motors	1 Year
Water Pumps	Varies by model. See accompanied warranty for details.

DIAMOND BLADES AND TOOLS

If the bond between the steel core and segment or rim fails during the normal useful life of the blade, Bartell Morrison will replace the blade at no cost to the customer.

This warranty does not cover cosmetic damages or damages due to (1) misuse, abuse, negligence, accident, or modifications of the product or any of its components; (2) improper operation or failure to provide reasonable maintenance; or (3) attempted repair by any party other than a Bartell Morrison authorized service facility. All products are subject to wear and tear under normal use. As such, the customer is responsible for all costs associated with the maintenance of said product, including the purchase of replacement components thereof.

To obtain warranty service, you must take the product, or deliver the product freight prepaid, in either its original

packaging or packaging affording an equal degree of protection, to any authorized Bartell Morrison service facility, along with proof of purchase in the form of a bill of sale, within the warranty period specified above. Warranty may be void if additional damages are incurred during transportation due to inadequate packaging.

Bartell Morrison shall not be responsible for or obligated to pay for freight or other transportation related costs or expenses in connection with any defective products or components that are either returned to Bartell Morrison's facility or any authorized repair station and/or any replacement products or components that are shipped from Bartell Morrison pursuant to this warranty.

BARTELL MORRISON SHALL NOT BE LIABLE FOR ANY INCIDENTAL OR CONSEQUENTIAL DAMAGES FOR BREACH OF ANY EXPRESS OR IMPLIED WARRANTY, OR NEGLIGENCE. SUCH DAMAGES INCLUDE, BUT ARE NOT LIMITED TO, LOSS OF PROFITS, LOSS OF REVENUE, LOSS OF USE OF THE PRODUCT, AND DOWNTIME. BARTELL MORRISON'S LIABILITY SHALL NOT EXCEED THE REPLACEMENT COST OF ANY DEFECTIVE PRODUCT OR COMPONENT THEREOF. THIS LIMITED WARRANTY IS IN LIEU OF ALL OTHER WARRANTIES, WHETHER EXPRESSED OR IMPLIED.

EXCLUSIONS FROM WARRANTY

Bartell Morrison cannot assume responsibility for claims arising from abuse of the product:

- Due to abuse by the purchaser in their processing.
- Due to improper installation practices or procedures.
- Due to abuse or improper usage by the end-user.
- Due to contaminants, including, but not limited to, exposure to salt or fresh water, chemicals and any other form of contamination from a source outside of Bartell Morrison's control.



12 INDUSTRIAL DRIVE, KEYPORT, NJ 07735

TEL. 866-501-1683

www.bartellmorrison.com