



BARTELL MORRISON INC. 375 Annagem Blvd., Mississauga, ON L5T 3A7
Telephone: 1-647-953-4100 Fax: 1-647-953-4101

RAMMER

BR68

PARTS BOOK



www.BARTELLGLOBAL.com

Doc. # PB-B09029
Orig. Rel. - 07/2016
Curr Rev. - 00

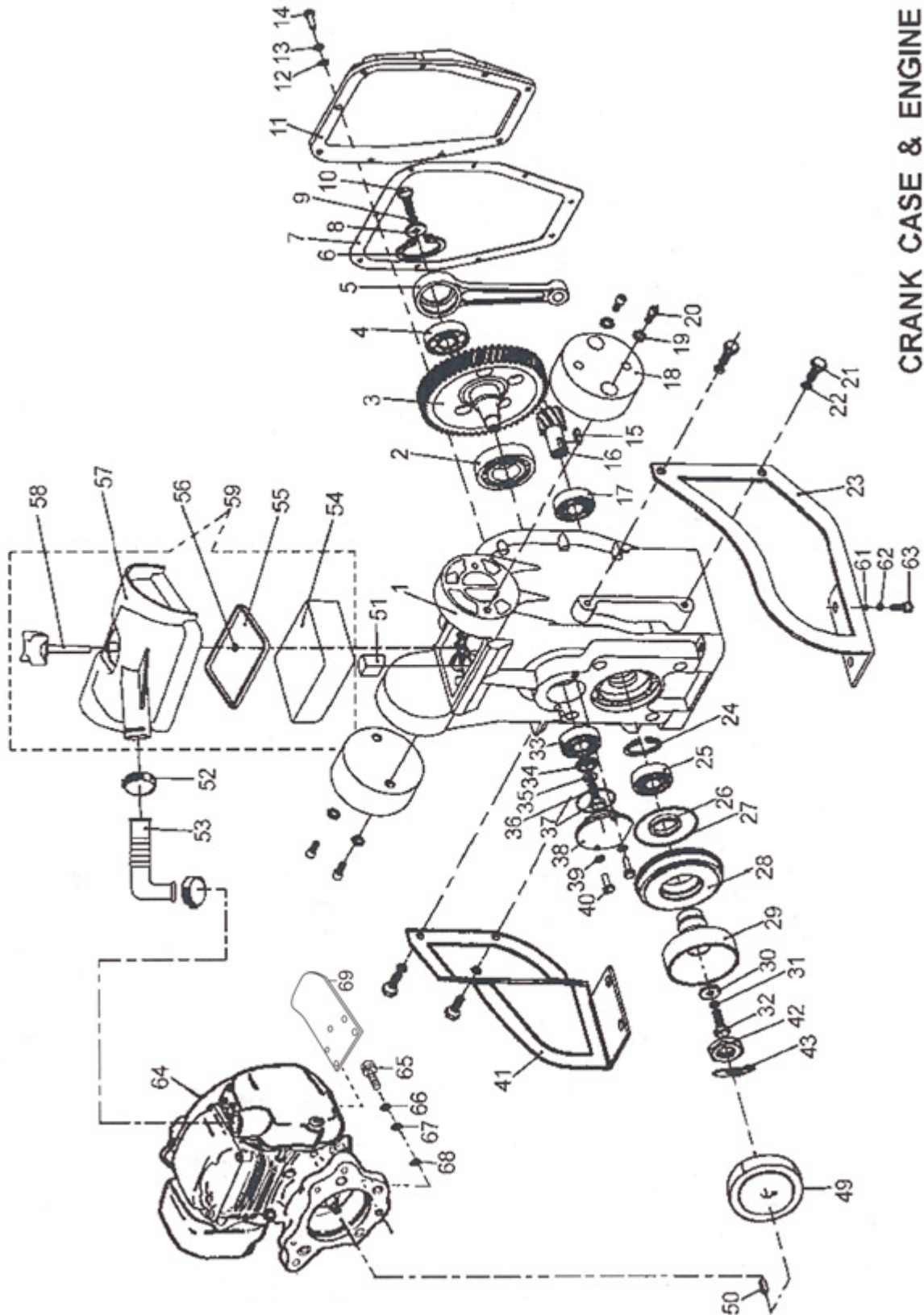
TABLE OF CONTENTS

<u>CRANK CASE AND ENGINE PICTURE</u>	1
○ CRANK AND CASE ENGINE PARTS LIST	2
<u>TANK AND HANDLE DIAGRAM</u>	3
○ TANK AND HANDLE PARTS LIST	4
<u>GUIDE CYLINDER AND SPRING ASSEMBLY DIAGRAM</u>	5
○ GUIDE CYLINDER AND SPRING ASSEMBLY PARTS LIST	6
<u>FOOT ASSEMBLY DIAGRAM</u>	7
○ FOOT ASSEMBLY PARTS LIST	7

PLEASE READ THE FOLLOWING CAREFULLY

The manufacturer and/or distributor has provided the parts list and assembly diagram in this manual as a reference tool only. Neither the manufacturer nor distributor makes any representation or warranty of any kind to the buyer that he or she is qualified to make any repairs to the product, or that he or she is qualified to replace any parts of the product. In fact, the manufacturer and/or distributor expressly states that all repairs and parts replacements should be undertaken by certified and licensed technicians, and not the buyer. The buyer assumes all risk and liability arising out of his or her repairs to the original product or replacement parts thereto, or arising out of his or her installation of the replacement parts thereto.

CRANK CASE AND ENGINE PICTURE



CRANK CASE & ENGINE

CRANK AND CASE ENGINE PARTS LIST

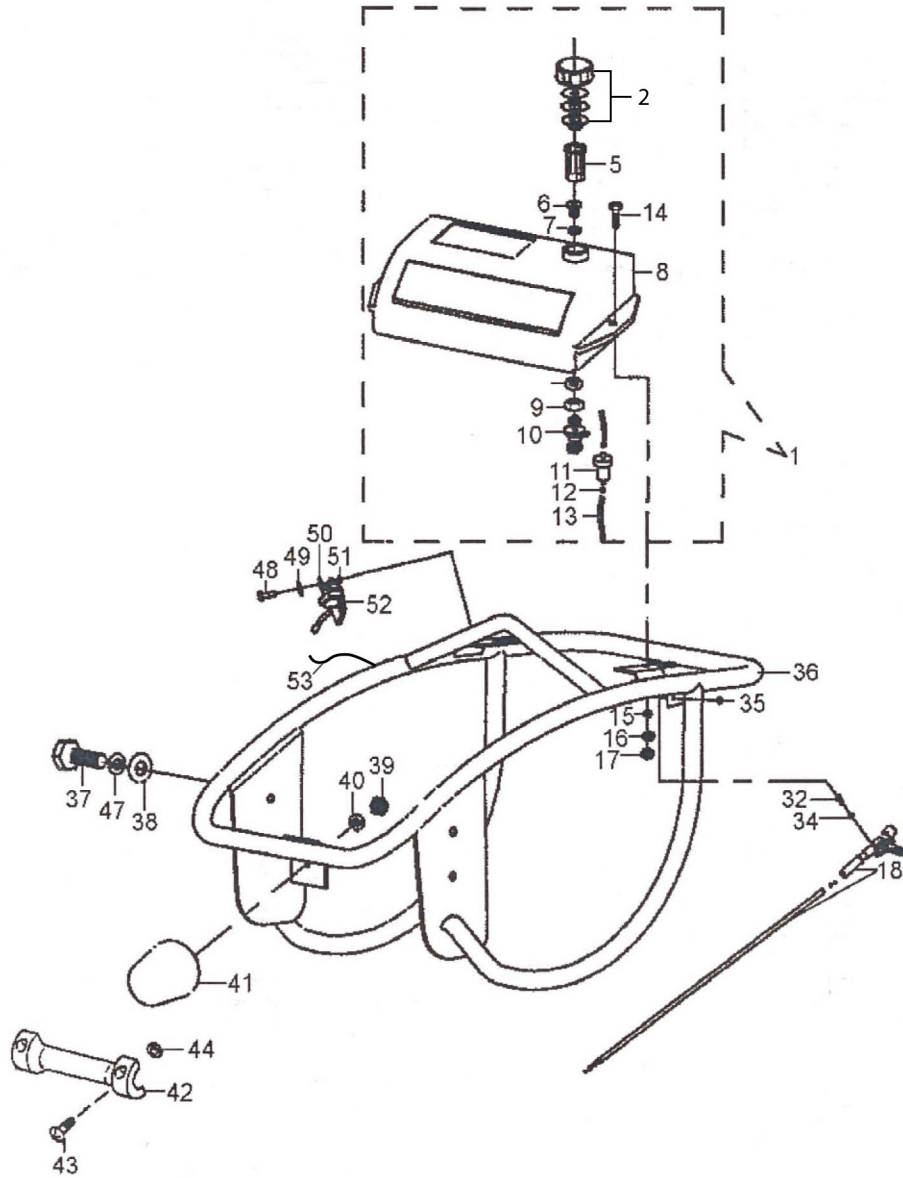
PARTS LIST – CRANK AND CASE ASSEMBLY

Item numbers in **GREY** are recommended spare parts.

Item	Part #	Description	QTY
1	31360	Crank Case	1
2	31438	Bearing 6207	1
3	31361	Crank Gear	1
4	31437	Bearing 6304	1
5	31362	Connecting Rod	1
6	31363	Retaining Ring	1
7	-	Gasket: Use RTV liquid gasket for replacement	1
8	31365	Retaining Ring	1
9	11614	Lock Washer, M8	1
10	11619	HHCS, M8-1.25x25mm	1
11	31366	Gear Cover	1
12	14447	Flat Washer, M6	9
13	14448	Lock Washer, M6	9
14	51058	HHCS, M6-1.0x20mm	9
15	31367	Key	1
16	31368	Gear Shaft	1
17	31369	Bearing 6204	1
18	31370	Vibration Damper	2
19	11621	Lock Washer, M10	4
20	14082	HHCS, M10-1.25x20mm	4
21	10999	HHCS, M8-1.25x20mm	4
22	11614	Lock Washer, M8 1.25x20mm	4
23	31371	Protection Frame, Right	1
24	31373	Retaining Ring, 35mm	1
25	31374	Bearing 60072	1
26	31375	Seal 40x52x8	1
27	31376	O-Ring 95x2.65	1
28	31377	Spacer	1
29	31378	Clutch Drum	1
30	31379	Retaining Ring	1
31	11614	Lock Washer, M8	1
32	11731	HHCS, M8-1.25x30mm	1
33	31369	Bearing 6204	1
34	31380	Retaining Ring	1

Item	Part #	Description	QTY
35	11614	Lock Washer, M8	1
36	31381	O-Ring 43.7x1.8	1
37	11619	HHCS, M8-1.25x25mm	1
38	31382	Bearing Cover	1
39	14448	Lock Washer, M6	2
40	51098	HHCS, M6-1.0x20mm	2
41	31372	Protection Frame, Left	1
42	31013	Hex Nut, M12-1.25	1
43	10993	Flat Washer 12	1
49	31383	Clutch Assembly	1
50	31384	Key 4 x 12	1
51	31385	Element	1
52	31386	Hose Clamp 25-38 (3.0hp)	2
53	31387	Intake Pipe	1
54	31388	Air Cleaner Element	1
55	31389	Packing, Air Cleaner	1
56	31390	O-Ring 7.5x1.8	1
57	31391	Air Cleaner Cover	1
58	31392	Knob	1
59	31393	Air Cleaner Assembly	1
61	11667	Flat Washer, M8	4
62	11618	Lock Washer, M8	4
63	11731	HHCA, M8-1-25-30mm	4
64	31439	Honda GX100 Engine	1
65	10452	HHCA, M8- 1-25x40mm	4
66	11618	Lock Washer, M8	4
67	11667	Flat Washer, M8	4
68	11615	Hex Nut, M8	4
69	31444	Protection Plate	1

TANK AND HANDLE DIAGRAM

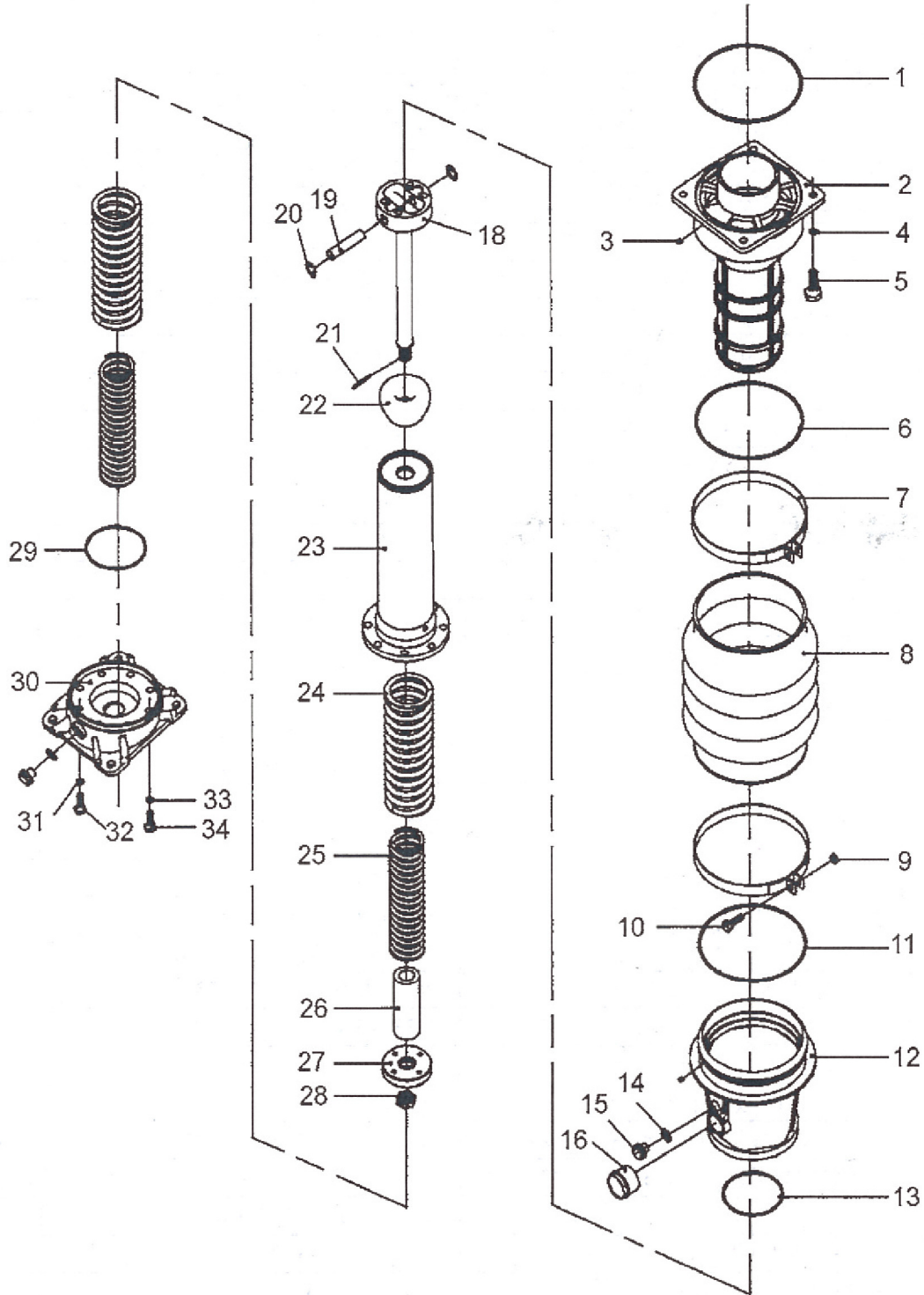


TANK AND HANDLE PARTS LIST

Item numbers in **GREY** are recommended spare parts.

Item	Part No.	Description	QTY	Remarks
1	31394	Tank Assembly	1	
2	31498	Tank Cap Assembly	1	
5	31398	Oil Strainer	1	
6	31399	Connector	1	
7	31400	O-Ring 14x3.55	1	
8	31401	Tank	1	
9	10067	Hex Nut M14-1.5	1	
10	31402	Fuel Cock	1	
11	31403	Fuel Filter	1	
12	31404	Hose Clamp	2	
13	31405	Fuel Hose	2	
14	11731	HHCS, M8-1.25x30	2	
15	11667	Flat Washer, M8	2	
16	11618	Lock Washer, M8	2	
17	11615	Hex Nut, M8	2	
18	31406	Throttle Control Assembly	1	
32	10068	FHSCS, M6-1.0x16	2	
34	14448	Lock Washer, M6	2	
35	10069	Hex Nut, M6-1.0	2	
36	31407	Handle	1	
37	31008	HHCS, M10-1.5x20mm	4	
38	11621	Lock Washer, M10	4	
39	11615	Hex Nut, M8-1.25	1	
40	11618	Lock Washer, M8	1	
41	31408	Rubber	1	
42	31409	Roller	1	
43	10070	SHCS, M5-0.8x16mm	1	
44	30843	Lock Nut, M5-0.7	1	
47	14447	Flat Washer	1	
48	10074	Screw, M4-0.7x14mm, ZP	2	
49	10075	Lock Washer, M4	2	
50	10076	Flat Washer, M4	2	
51	11036	Hex Nut, M4-0.7	1	
52	50062	On-Off Switch	1	
53	31518	Switch Wire Extension	1	

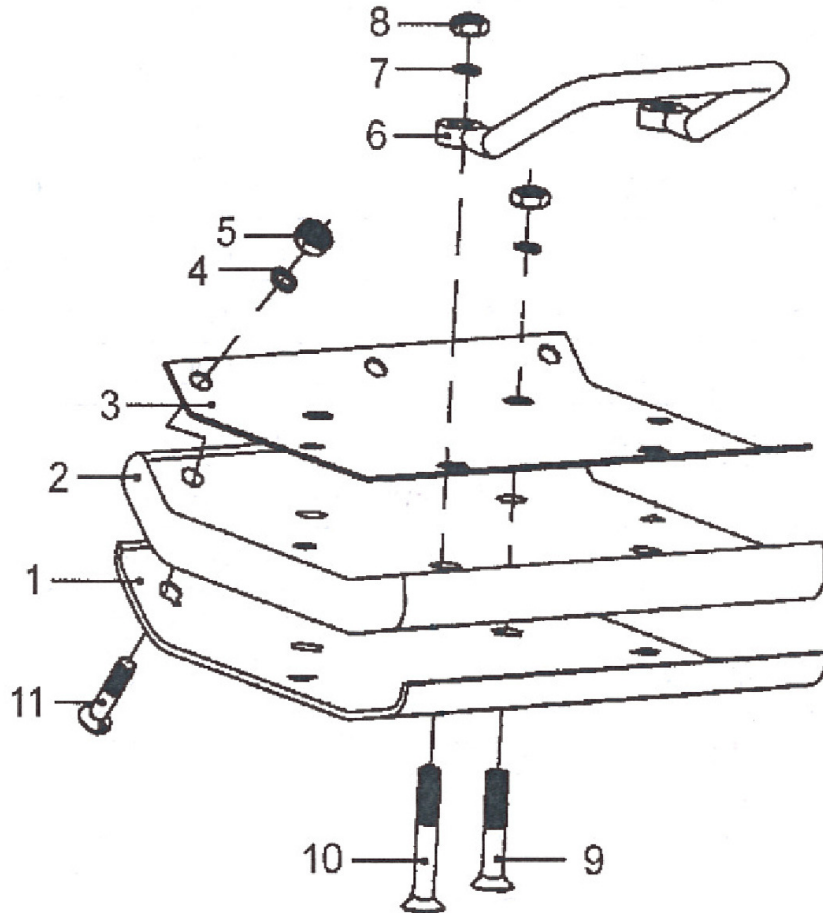
GUIDE CYLINDER AND SPRING ASSEMBLY DIAGRAM



GUIDE CYLINDER AND SPRING ASSEMBLY PARTS LIST

Item	Part No.	Description	QTY	Remarks
1	31411	O-Ring 160x5.3	1	
2	31412	Guide Cylinder	1	
3	31413	Pin 6x8	2	
4	11621	Lock Washer M10	4	
5	10077	HHCS, M8-1.25x40mm	4	
6	31414	O-Ring 160x3.55	4	
7	31415	Bellow Clamp	2	
8	31416	Bellow	1	
9	11615	Hex Nut, M8-1.25	2	
10	10452	HHCS, M8-1.25x40mm	2	
11	31414	O-Ring 160x3.55	1	
12	31418	Protection Sleeve	1	
13	31376	O-Ring 95x2.65	1	
14	31419	Copper Washer, M14	2	
15	31420	Plug M14x1.5	2	
16	31421	Level Gauge	1	
18	31422	Piston Rod	1	
19	31423	Piston Pin	1	
20	31424	Retaining Ring 1	2	
21	31440	Pin 3x32	1	
22	31425	Stopper, Upper	1	
23	31426	Spring Cylinder	1	
24	31427	Spring, Outer	2	
25	31428	Spring, Inner	2	
26	31429	Stopper, Lower	1	
27	31430	Piston End	1	
28	10071	Hex Nut M18-1.5	1	
29	31431	O-Ring 87,5x3.55	1	
30	31432	Foot Plate	1	
31	11621	Lock Washer 10	4	
32	10072	SHCS, M10-1.25x20mm	4	
33	11621	Lock Washer, M10	4	
34	10073	SHCS, M10-1.5x40mm	4	

FOOT ASSEMBLY DIAGRAM



FOOT ASSEMBLY PARTS LIST

Item	Part No.	Description	QTY	Remarks
1	31433	Tamping Plate	1	
2	31434	Tamping Foot	1	
3	31435	Foot Cover	1	
4	11621	Lock Washer, 10	7	
5	11802	Lock Nut, M10	7	
6	31436	Lifting Hook	1	
7	10735	Lock Washer 12	4	
8	10956	Lock Nut M12-1.75	4	
9	31441	Screw M12-1.75x65mm	2	
10	31442	Screw M12-1.75x75mm	2	
11	31443	Screw M10-1.5x50mm	7	



This Page Intentionally Left Blank

BARTELL

BARTELL GLOBAL

www.BARTELLGLOBAL.com



Bartell Morrison Inc.
 375 Annagem Boulevard
 Mississauga, Ontario, Canada
 L5T 3A7
 Tel: 647-953-4100
 Fax: 647-953-4101



Bartell Morrison (USA) LLC
 200 Commerce Drive, Unit A
 Freehold, New Jersey, USA
 07728
 Tel: 848-225-8100
 Fax: 848-225-8101



SPE International
 Honeyholes Lane
 Dunholme, Lincoln, UK
 LN2 3SU
 Tel: +44 (0)1673 860709
 Fax: +44 (0)1673 861119



Innovatech
 832 80th Street SW
 Everett, Washington, USA
 98203
 Tel: 425-405-9100
 Toll Free: 800-267-6682

