



BC436
WALK-BEHIND TROWEL

PARTS BOOK



www.BARTELLGLOBAL.com



www.BARTELLGLOBAL.com

Bartell Morrison Inc.
170 Traders Blvd E
Mississauga, Ontario, Canada
L4Z 1W7
Tel: (647) 953-4100
Fax: (647) 953-4101

Bartell Morrison USA LLC
200 Commerce Drive, Unit A
Freehold, NJ, USA
07728
Tel: (848) 225-8100
Fax: (848) 225-8101

SPE International Ltd
Honeyholes Lane
Dunholme, Lincoln, England
LN2 3SU
Tel: 01673 860709
Fax: 01673 861119

Innovatech
4701 Allmond Ave
Louisville, Kentucky, USA
40209
Tel: (425) 405-9100
Fax: (425) 405-9101

ORIGINAL LANGUAGE

© 2022 Bartell Morrison Inc.

No part of this work may be reproduced or transmitted in any form or by any means, electronic or mechanical, including photocopying and recording, or by any information storage or retrieval system without the prior written permission of Bartell Morrison Inc. unless such copying is permitted by federal copyright laws.

Address inquiries or reference permissions care of:
Bartell Morrison Inc., 170 Traders Blvd E., Mississauga, Ontario, Canada, L4Z 1W7

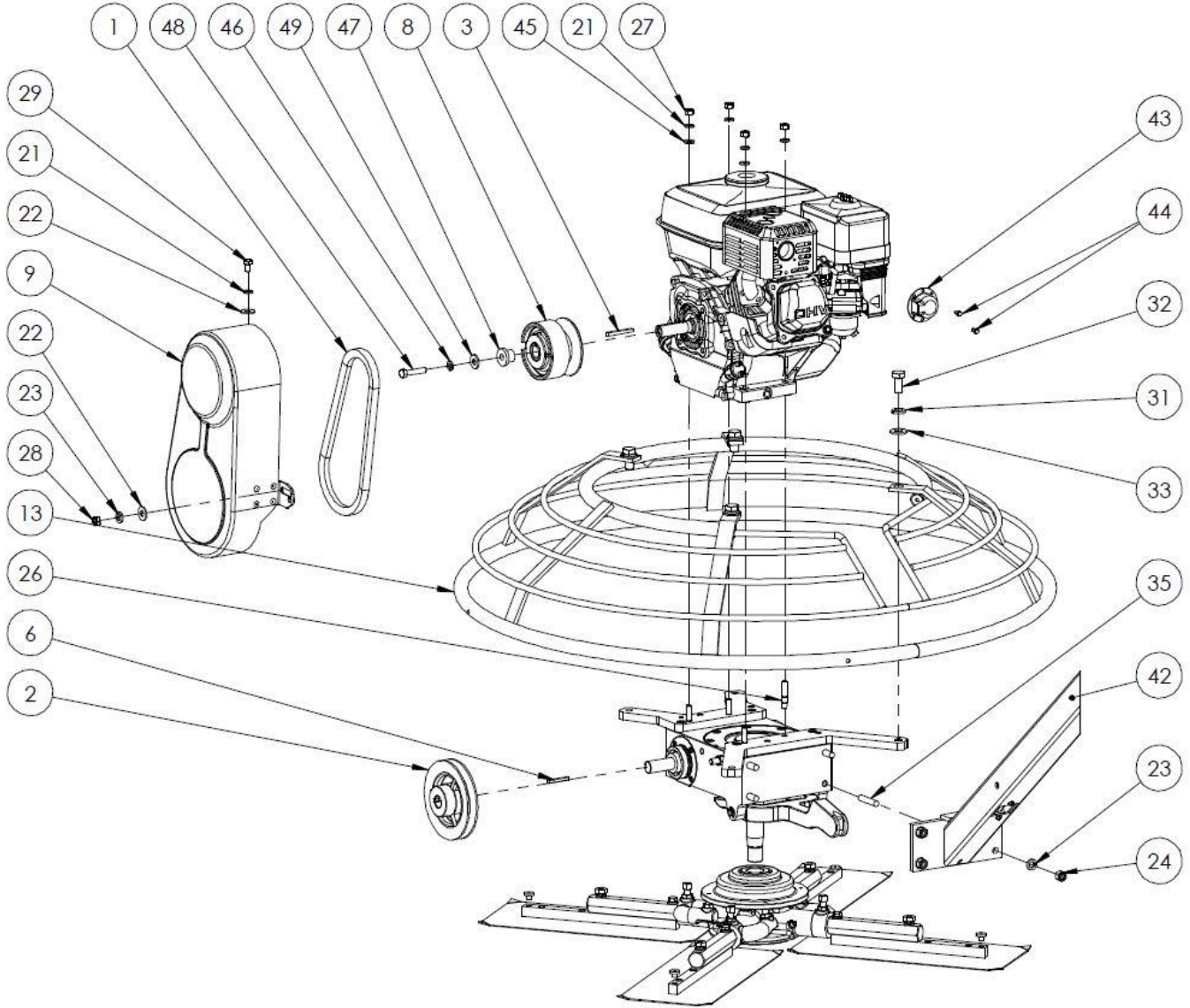
REV.	DATE	DESCRIPTION	APPROVED BY:
01	12/30/16	Gearbox, spider plate and handles pitch control cables part numbers update	AL
02	04/17/17	Part Number for trowel arm updated	AN
03	05/08/17	Added folding handle and Easy Pitch parts list and diagram, rearranged the order of parts list, added 20288 – Handle pulley assembly to handle parts lists. Updated General Assembly, Address Update, changed handle asm p/n	AN
04	10/17	Parts list 9 changed to reflect correct P/N's	AN
05	02/18	Added decal part numbers, updated handle parts/dwg	AN
06	08/18	Parts list 3, item 10. P/N: 21784 was 10279	AN
07	01/19	Updated P/N's on parts list 10	AN
08	07/19	Updated Easy Pitch P/N's	AN
09	09/19	Updated Address	AN
10	08/20	Pro Pitch Added	AN
11	04/22	Updated P/N Descriptions	AN

TABLE OF CONTENTS

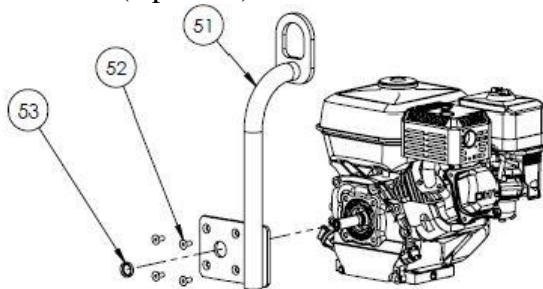
PARTS LIST 1 – WALK-BEHIND TROWELS	2
GENERAL ASSEMBLY DIAGRAM: BC436	2
GENERAL ASSEMBLY: BC436 - PARTS LIST 1	3
PARTS LIST 2 – WALK-BEHIND TROWELS	4
BASE UNIT ASSEMBLY DIAGRAM: BC436	4
BASE UNIT ASSEMBLY: BC436 - PARTS LIST 2	5
PARTS LIST 3 – WALK-BEHIND TROWELS	6
GEARBOX ASSEMBLY DIAGRAM: 21815	6
GEARBOX ASSEMBLY: 21815 - PARTS LIST 3	7
PARTS LIST 4– WALK-BEHIND TROWELS	8
BC436 CLUTCH ASSEMBLY DIAGRAM: 21822, 21029-2	8
BC436 CLUTCH ASSEMBLY: 21822 (3/4" SHAFT) – PARTS LIST 4	9
BC436 CLUTCH ASSEMBLY: 21029-2 (1" SHAFT) – PARTS LIST 4	9
PARTS LIST 5 – WALK-BEHIND TROWELS	10
SPIDER PLATE ASSEMBLY DIAGRAM: 21814	10
SPIDER PLATE ASSEMBLY: 21814 – PARTS LIST 5	10
PARTS LIST 6 – WALK-BEHIND TROWELS	11
PRESSURE PLATE ASSEMBLY DIAGRAM: 20627	11
PRESSURE PLATE ASSEMBLY: 20627 – PARTS LIST 6	11
PARTS LIST 7 – WALK-BEHIND TROWELS	12
HANDLE ASSEMBLY DIAGRAM: 20230C FINE PITCH	12
HANDLE ASSEMBLY: 20230C FINE PITCH - PARTS LIST 7	13
PARTS LIST 8 – WALK-BEHIND TROWELS	14
HANDLE ASSEMBLY DIAGRAM: 20230E EUROPEAN SPEC.	14
HANDLE ASSEMBLY: 20230E EUROPEAN SPEC. - PARTS LIST 8	15
PARTS LIST 9 – WALK-BEHIND TROWELS	16
FOLDING HANDLE ASSEMBLY DIAGRAM: 20229C	16
FOLDING HANDLE ASSEMBLY: 20229C – PARTS LIST 9	17
PARTS LIST 10 – WALK-BEHIND TROWELS	18
BLADE KIT ASSEMBLY DIAGRAM	18
BC436 BLADE KIT – PARTS LIST 10	18
PARTS LIST 11: WALK-BEHIND TROWELS	19
PRO PITCH ASSEMBLY DIAGRAM: 23522	19
EASY PITCH: 23522 - PARTS LIST 11	19
PARTS LIST 11: WALK-BEHIND TROWELS	20
EASY PITCH ASSEMBLY DIAGRAM: 20258	20
EASY PITCH: 20258 - PARTS LIST 11	20
PARTS LIST 12 – WALK-BEHIND TROWELS	21
HAND KNOB ASSEMBLY DIAGRAM: 21714	21
HAND KNOB ASSEMBLY: 21714 – PARTS LIST 12	21

PARTS LIST 1 – WALK-BEHIND TROWELS

GENERAL ASSEMBLY DIAGRAM: BC436



Hoist Hook (Optional)

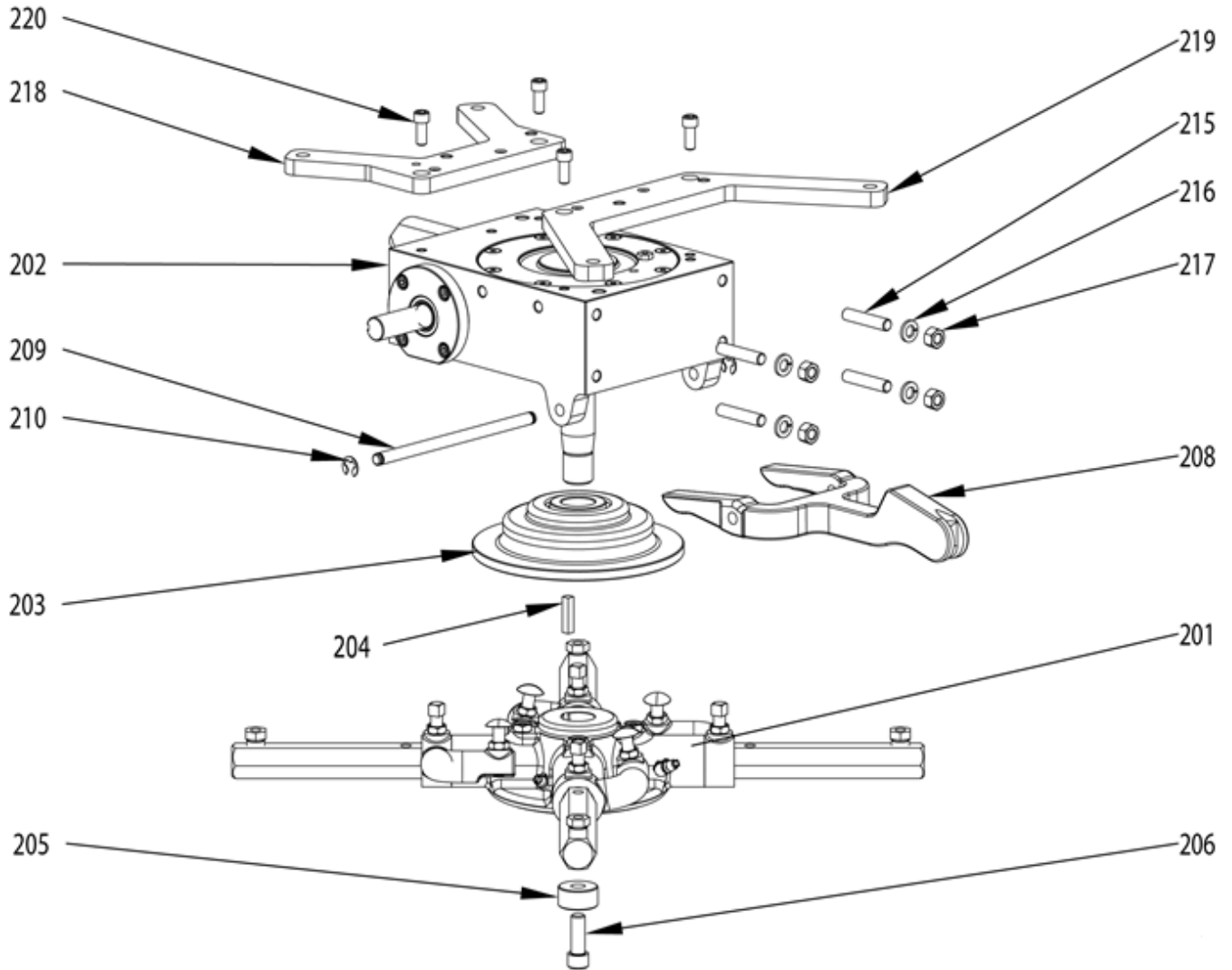


GENERAL ASSEMBLY: BC436 - PARTS LIST 1

Item #	Part #	Description	QTY	Remarks
1	10752 (GX160) 11047 (GX270)	BELT B26 BELT B28	1	7/20/2014
2	14285 (GX270)	SHEAVE, MB58 X 3/4	1	7/20/2014
3	10206 (GX160) 11003 (GX270)	KEY 3/16 SQ X 1-7/8" LG KEY 1/4 SQ X 2" LG	1	7/20/2014
6	10208	KEY 3/16 SQ X 1/2" LG	1	7/20/2014
8	21027-2 (GX160) 21822 (GX160) 21029-2 (GX270)	CLUTCH, 3/4" BORE CLUTCH, 3/4" BORE CLUTCH, 1" BORE	1	8/01/2019 7/20/2014 7/20/2014
9	21067-1	BELT GUARD	1	7/20/2014
13	21813 20447	GUARD RING, BLUE GUARD RING, CHROME	1	7/20/2014
21	11614	WASHER, LOCK, M8	1	7/20/2014
22	11667	WASHER, FLAT, M8	2	7/20/2014
23	31215	WASHER, LOCK M10	1	7/20/2014
24	10317	LOCKNUT 3/8"-16UNC	4	7/20/2014
26	11670 (GX160) 14227 (GX270)	STUD, M8-1.25 X 35MM STUD, M10-1.5 X 40MM	4	7/20/2014
27	11615 (GX160) 11622 (GX270)	HEX NUT, M8-1.25 HEX NUT, M10-1.5	4	7/20/2014
28	11622	HEX NUT, M10-1.5	1	7/20/2014
29	10999	HHCS, M8-1.25 X 20MM LG	1	7/20/2014
31	10735	WASHER, LOCK, M12	4	7/20/2014
32	11900	HHCS, M12-1.75 X 25MM LG	4	7/20/2014
33	14267	WASHER, FLAT, M12	4	7/20/2014
35	11339	STUD, SELF-LOCKING, 3/8-16 X 1-3/4" LG	4	7/20/2014
42	20230C 20230E 20229C	HANDLE ASSEMBLY, FINE PITCH HANDLE ASSEMBLY, EUROPEAN SPEC. HANDLE ASSEMBLY, FOLDING HANDLE	1	7/20/2014
43	11112	MUFFLER CAP	1	7/20/2014
44	11115	SCREW, MUFFLER CAP	2	7/20/2014
46	10402 (GX160) N/A (GX270)	LOCKWASHER, 5/16", MEDIUM SPLIT -	1 -	7/20/2014
47	20289 (GX160) N/A (GX270)	CLUTCH SLEEVE -	1 -	7/20/2014
48	981045 (GX160) 993480 (GX160) N/A (GX270)	HHCS, 5/16-24NFx1-1/2" LG HHCS, 5/16-24UNF X 1-3/4" LG (HOIST HOOK)	1	7/20/2014
49	10919 (GX160) N/A (GX270)	WASHER, FLAT, 5/16" DIA -	4	7/20/2014
51	20189 (GX160) 20171 (GX270)	HOIST HOOK (OPTIONAL)	1	7/20/2014
52	30041	FHSCS, 5/16"-24 X 3/4" (WITH HOIST HOOK)	4	7/20/2014
53	11254 (GX160) N/A (GX270)	CLUTCH SPACER (WITH HOIST HOOK)	1	7/20/2014
	01109-BC436-1	DECAL KIT, BC436	1	
	01109-FAM-B	ROUND BARTELL DECAL	1	

PARTS LIST 2 – WALK-BEHIND TROWELS

BASE UNIT ASSEMBLY DIAGRAM: BC436

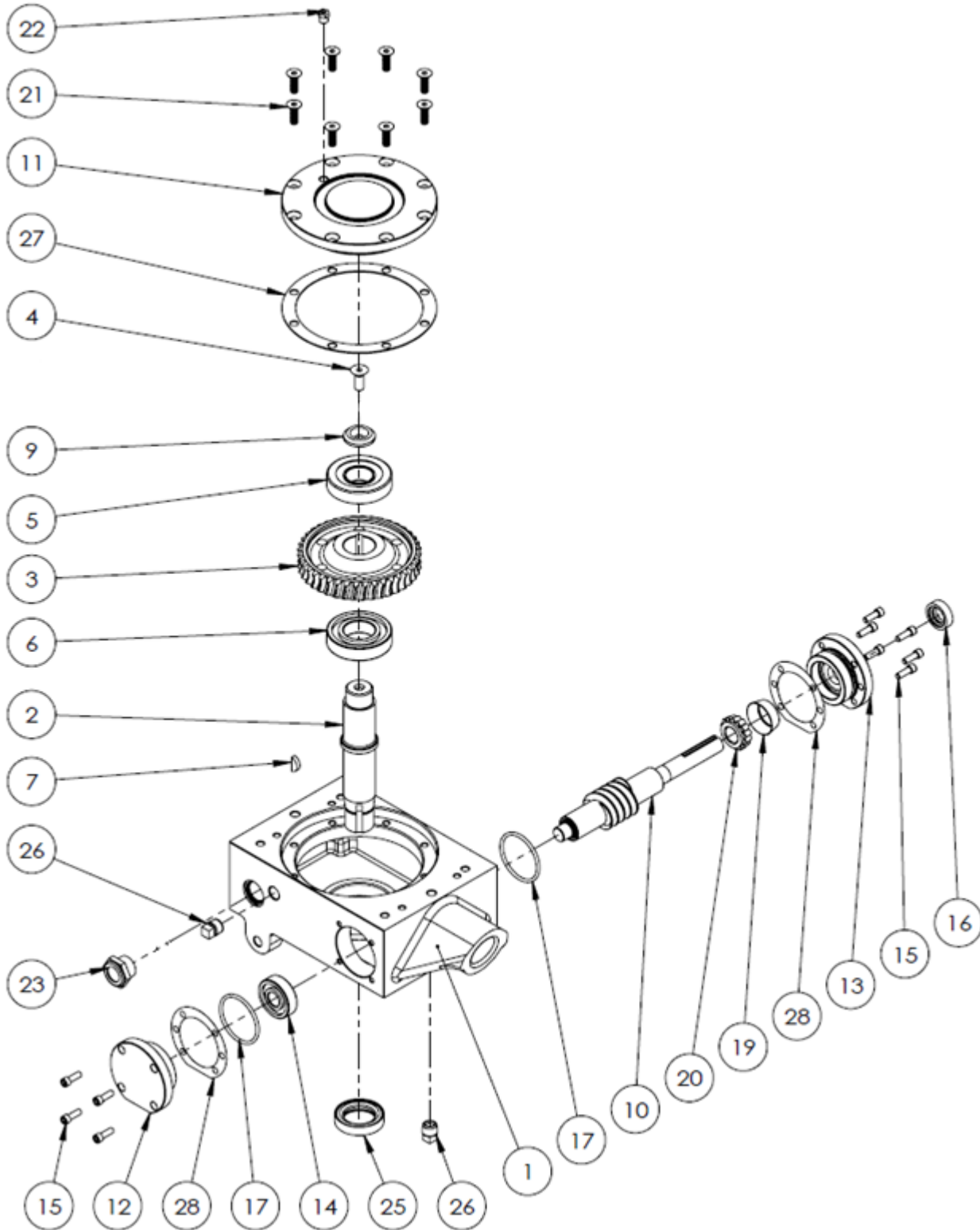


BASE UNIT ASSEMBLY: BC436 - PARTS LIST 2

Item #	Part #	Description	QTY	Remarks
201	21814	SPIDER PLATE ASSEMBLY (SEE PARTS LIST 4)	1	7/20/2014
202	21815	GEARBOX ASSEMBLY (SEE PARTS LIST 3)	1	7/20/2014
203	20627	PRESSURE PLATE ASSEMBLY (SEE PARTS LIST 5)	1	7/20/2014
204	11690	KEY, 6MM SQ x 30MM LG	1	7/20/2014
205	10814	SPIDER PLATE RETAINER	1	7/20/2014
206	21799	SHCS, M10 - 1.5 X 30MM LG	1	7/20/2014
208	10312	YOKE ARM	1	7/20/2014
209	21818	YOKE PIN	1	7/20/2014
210	21819	RETAINING RING	2	7/20/2014
215	14227	STUD, M10 - 1.5 x 40MM LG	4	7/20/2014
216	11621	WASHER, LOCK, M10	4	7/20/2014
217	11622	HEX NUT, M10-1.5	4	7/20/2014
218	15344-1	MOUNTING RAIL, FRONT	1	7/20/2014
219	15345-1	MOUNTING RAIL, REAR	1	7/20/2014
220	31106	SHCS, M8 - 1.25 x 20	4	7/20/2014

PARTS LIST 3 – WALK-BEHIND TROWELS

GEARBOX ASSEMBLY DIAGRAM: 21815

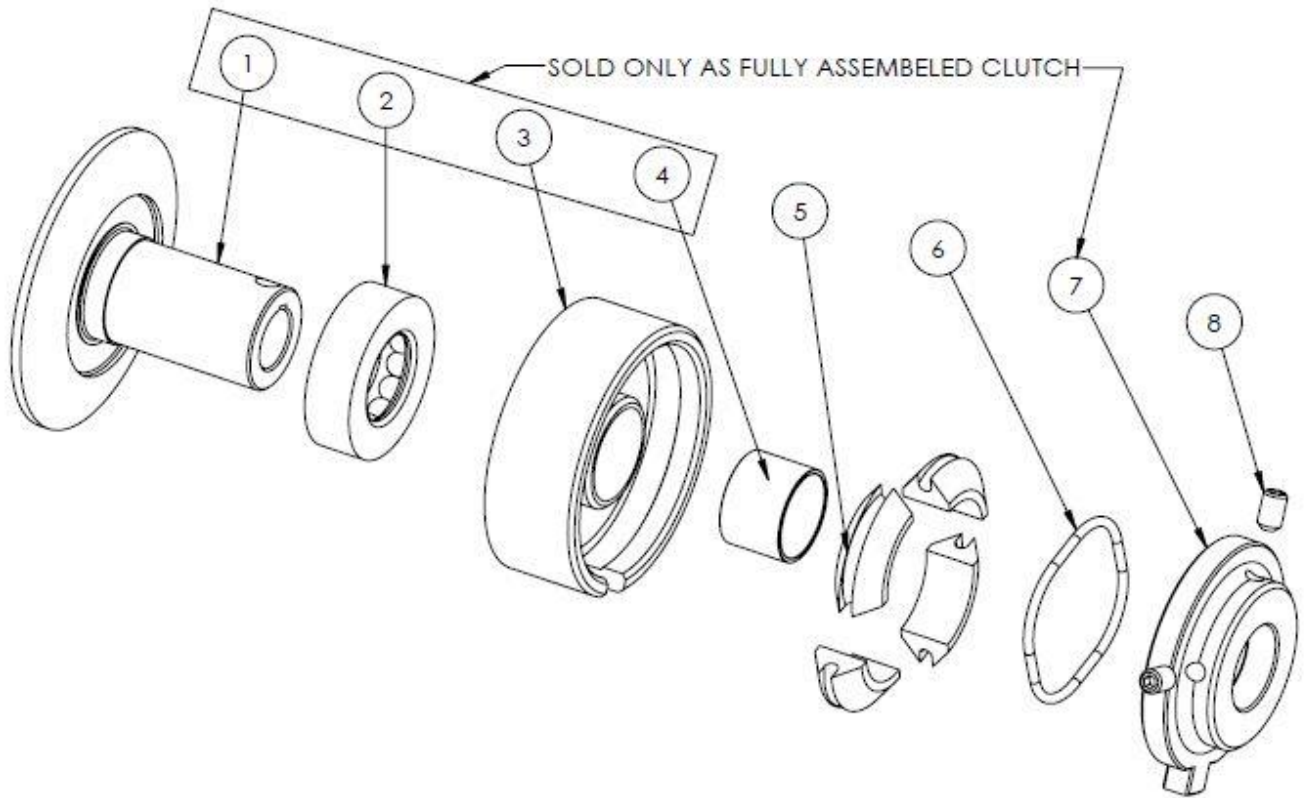


GEARBOX ASSEMBLY: 21815 - PARTS LIST 3

Item #	Part #	Description	QTY	Remarks
1	21821	GEARBOX HOUSING	1	07/20/2014
2	21782	MAIN SHAFT	1	07/20/2014
3	21781	MAIN GEAR	1	07/20/2014
4	10772	FHSCS, M10-1.5 x 25MM (LH)	1	07/20/2014
5	10614	BEARING	1	07/20/2014
6	21786	BEARING	1	07/20/2014
7	10769	WOODRUFF KEY	1	07/20/2014
9	21734	PRESSURE WASHER	1	07/20/2014
10	21784	COUNTERSHAFT	1	07/20/2014
11	21780	GEARBOX COVER	1	07/20/2014
12	21785	END CAP	1	07/20/2014
13	21783	FLANGE	1	07/20/2014
14	21794	BEARING	1	07/20/2014
15	31135	SHCS, M6-1.0 x 16MM	8	07/20/2014
16	21749	OIL SEAL	1	07/20/2014
17	10227	SM O-RING	2	07/20/2014
19	10744	BEARING CUP	1	07/20/2014
20		BEARING CONE		
21	31135	SHCS, M6-1.0 X 15MM	8	07/20/2014
22	21736	RELIEF VALVE	1	07/20/2014
23	10930	SIGHT PLUG	1	07/20/2014
25	21788	OIL SEAL	1	07/20/2014
26	21747	PLUG	2	07/20/2014
27	21840-1	GASKET, COVER, 0.1MM	A/R	07/20/2014
	21840-2	GASKET, COVER, 0.2MM		
28	21841-1	GASKET, FLANGE, 0.1MM	A/R	07/20/2014
	21841-2	GASKET, FLANGE, 0.2MM		

PARTS LIST 4- WALK-BEHIND TROWELS

BC436 CLUTCH ASSEMBLY DIAGRAM: 21822, 21027-2, 21029-2



BC436 CLUTCH ASSEMBLY: 21822 (3/4" SHAFT) – PARTS LIST 4

Item #	Part #	Description	QTY	Remarks
1	21824	SPINDLE	1	PART OF ASSEMBLY 21822
2	21826	BEARING	1	PART OF ASSEMBLY 21822
3	21827	DRUM W/BUSHING	1	PART OF ASSEMBLY 21822
4		BUSHING	1	PART OF ASSEMBLY 21822
5	21828	WEIGHT (SHOE)	4	
6	21829	SPRING	1	
7	21830	FACE PLATE	1	PART OF ASSEMBLY 21822
8	21831	SET SCREW	2	

BC436 CLUTCH ASSEMBLY: 21027-2 (3/4" SHAFT) – PARTS LIST 4

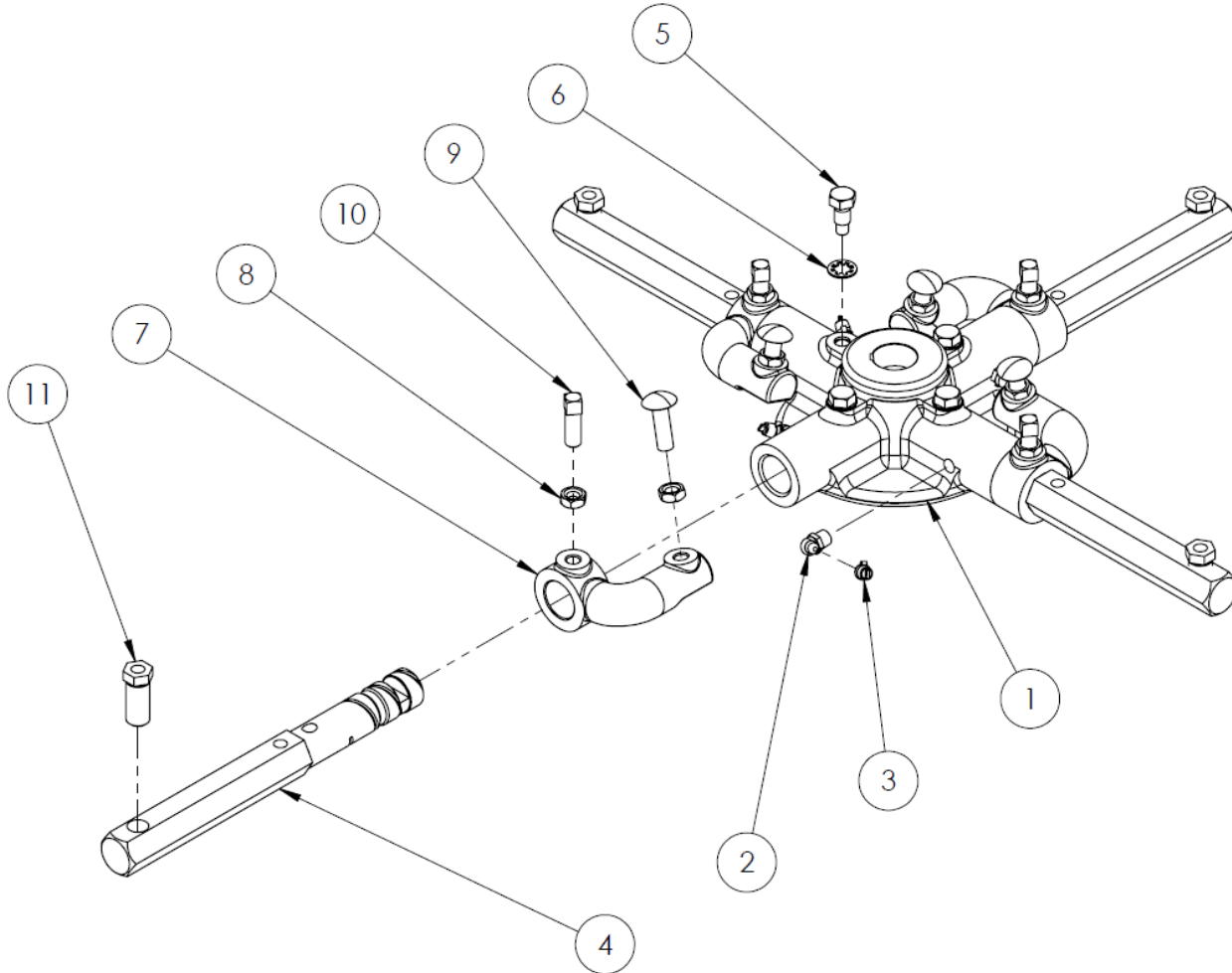
Item #	Part #	Description	QTY	Remarks
1	11484	SPINDLE	1	PART OF ASSEMBLY 21027-2
2	11044	BEARING	1	PART OF ASSEMBLY 21027-2
3	21046	DRUM W/BUSHING	1	PART OF ASSEMBLY 21027-2
4	11012	BUSHING	1	PART OF ASSEMBLY 21027-2
5	11014	WEIGHT (SHOE)	4	
6	10759	SPRING	1	
7	11015	FACE PLATE	1	PART OF ASSEMBLY 21027-2
8	50117	SET SCREW	2	

BC436 CLUTCH ASSEMBLY: 21029-2 (1" SHAFT) – PARTS LIST 4

Item #	Part #	Description	QTY	Remarks
1	11045	SPINDLE	1	PART OF ASSEMBLY 21029-2
2	11044	BEARING	1	PART OF ASSEMBLY 21029-2
3	21046	DRUM W/BUSHING	1	PART OF ASSEMBLY 21029-2
4	11012	BUSHING	1	PART OF ASSEMBLY 21029-2
5	11014	WEIGHT (SHOE)	4	
6	10759	SPRING	1	
7	11015	FACE PLATE	1	PART OF ASSEMBLY 21029-2
8	50117	SET SCREW 5/16-18 UNC	2	

PARTS LIST 5 – WALK-BEHIND TROWELS

SPIDER PLATE ASSEMBLY DIAGRAM: 21814

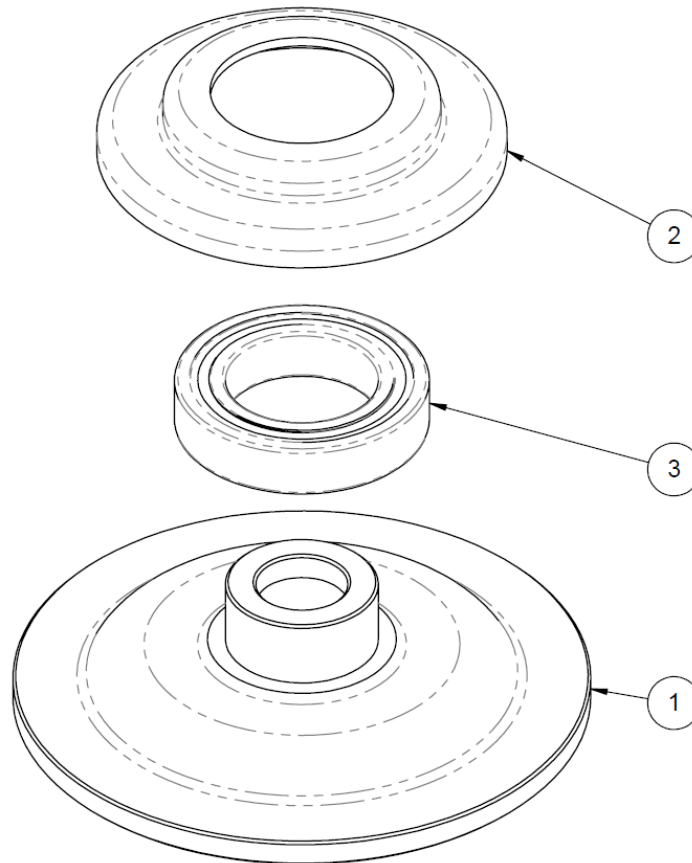


SPIDER PLATE ASSEMBLY: 21814 – PARTS LIST 5

Item #	Part #	Description	QTY	Remarks
1	21797	SPIDER PLATE	1	07/20/2014
2	21769	GREASE FITTING	4	07/20/2014
3	10822	CAP GREASE, NIPPLE, 1/8 ALEMITE	4	07/20/2014
4	21812	TROWEL ARM	4	07/20/2014
5	21766	HHCS, DOG POINT, M8-1.25 x 20MM	4	07/20/2014
6	10805	LOCKWASHER	4	07/20/2014
7	21798	LIFT LEVER	4	07/20/2014
8	10867	HEX JAM NUT, M10-1.5	8	07/20/2014
9	10869	CARRIAGE BOLT, M10-1.5 x 35MM	4	07/20/2014
10	21765	SQ. HEAD SET SCREW, M10-1.5 x 30MM	4	07/20/2014
11	21811	ADJUSTING SCREW, 30MM	4	07/20/2014
12	11901	O-RING, 3MM x 24MM ID	4	07/20/2014

PARTS LIST 6 – WALK-BEHIND TROWELS

PRESSURE PLATE ASSEMBLY DIAGRAM: 20627

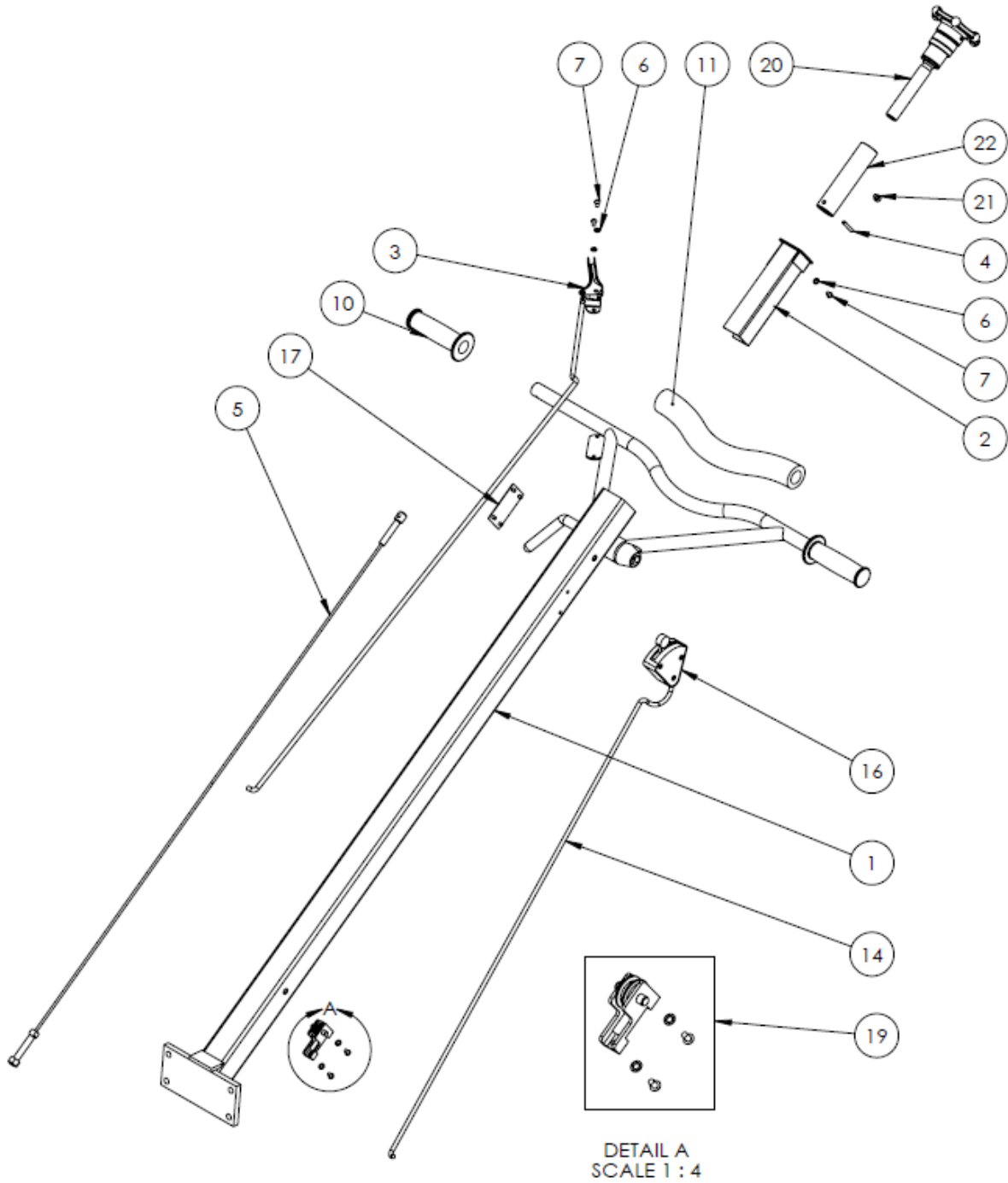


PRESSURE PLATE ASSEMBLY: 20627 – PARTS LIST 6

Item #	Part #	Description	QTY	Remarks
1	10660	PRESSURE PLATE	1	7/20/2014
2	10668	PRESSURE PLATE CAP	1	7/20/2014
3	10664	THRUST BEARING P/P	1	7/20/2014

PARTS LIST 7 – WALK-BEHIND TROWELS

HANDLE ASSEMBLY DIAGRAM: 20230C FINE PITCH



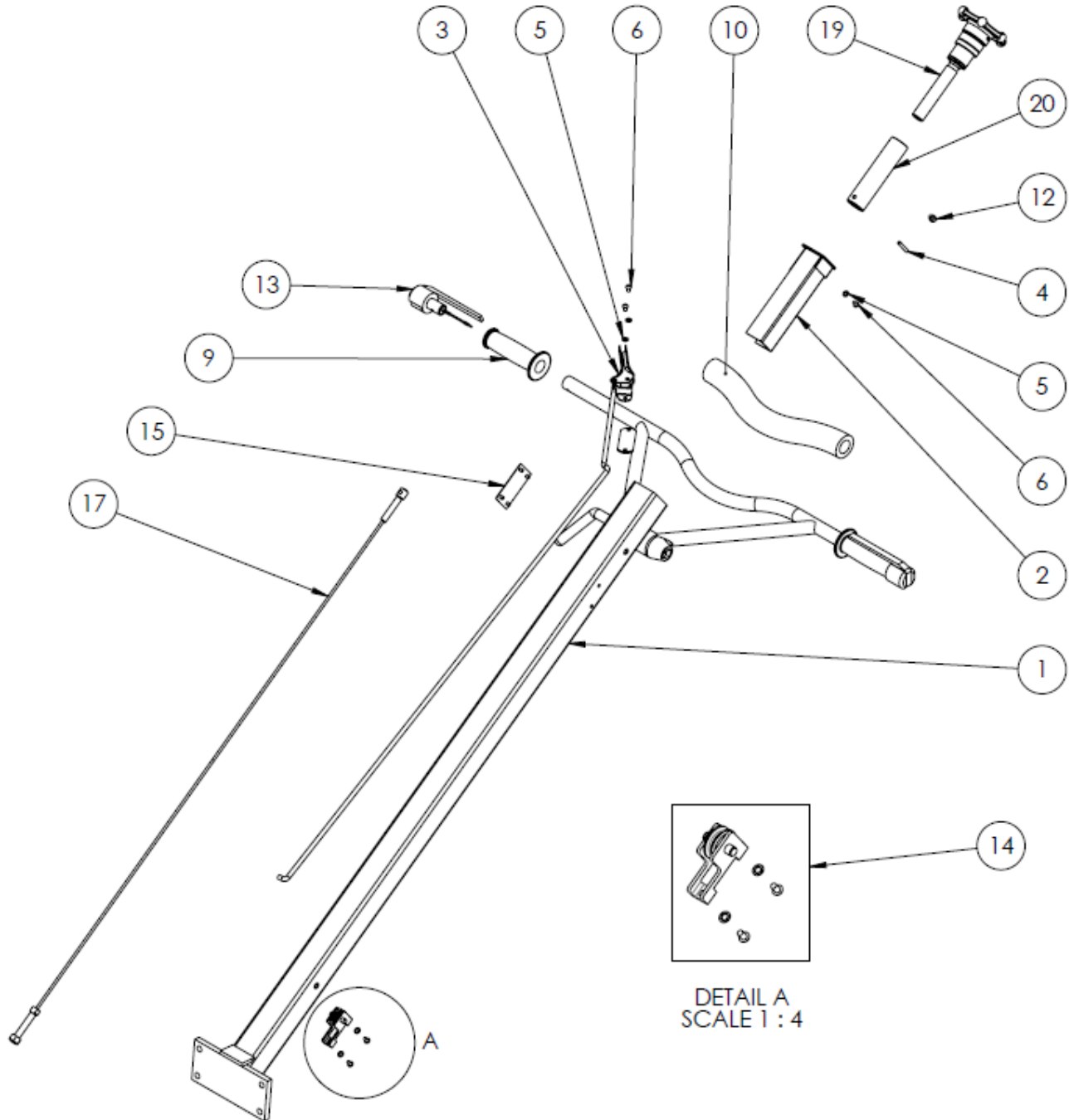


HANDLE ASSEMBLY: 20230C FINE PITCH - PARTS LIST 7

Item #	Part #	Description	QTY	Remarks
1	20230C	MEDIUM STRAIGHT HANDLE, FULLY ASSEMBLED	1	10/01/2014
2	20112	PITCH INSERT	1	10/01/2014
3	10508	THROTTLE LEVER ASSEMBLY	1	10/01/2014
4	21724	PIN 3/16"DIA X 1-1/4"LG	1	10/01/2014
5	20331	PITCH CONTROL CABLE, 43 5/16" HOLE TO END OF LUG	1	10/01/2014
6	10703	LOCK WASHER, INTERNAL TOOTH, #10	3	10/01/2014
7	21728	RHMS, M5-0.8 X 8MM LG	3	10/01/2014
10	21717	HANDLE GRIP	2	10/01/2014
11	21721	CROSSBAR PAD	1	10/01/2014
14	20702	66" WIRE ASSEMBLY	1	10/01/2014
16	21847	SAFETY SWITCH	1	10/01/2014
17	20111	COVER PLATE	1	10/01/2014
19	20288	PULLEY ASSEMBLY *INCLUDES PARTS BELOW*	1	10/01/2014
20	21720	ASSY, HAND KNOB	1	10/01/2014
21	21725	M6-1.0 X 6MM LG	1	10/01/2014
22	21722	THREADED SLIDE BUSHING	1	10/01/2014
	10525-SQCOM	BARTELL DECAL KIT	1	

PARTS LIST 8 – WALK-BEHIND TROWELS

HANDLE ASSEMBLY DIAGRAM: 20230E EUROPEAN SPEC.



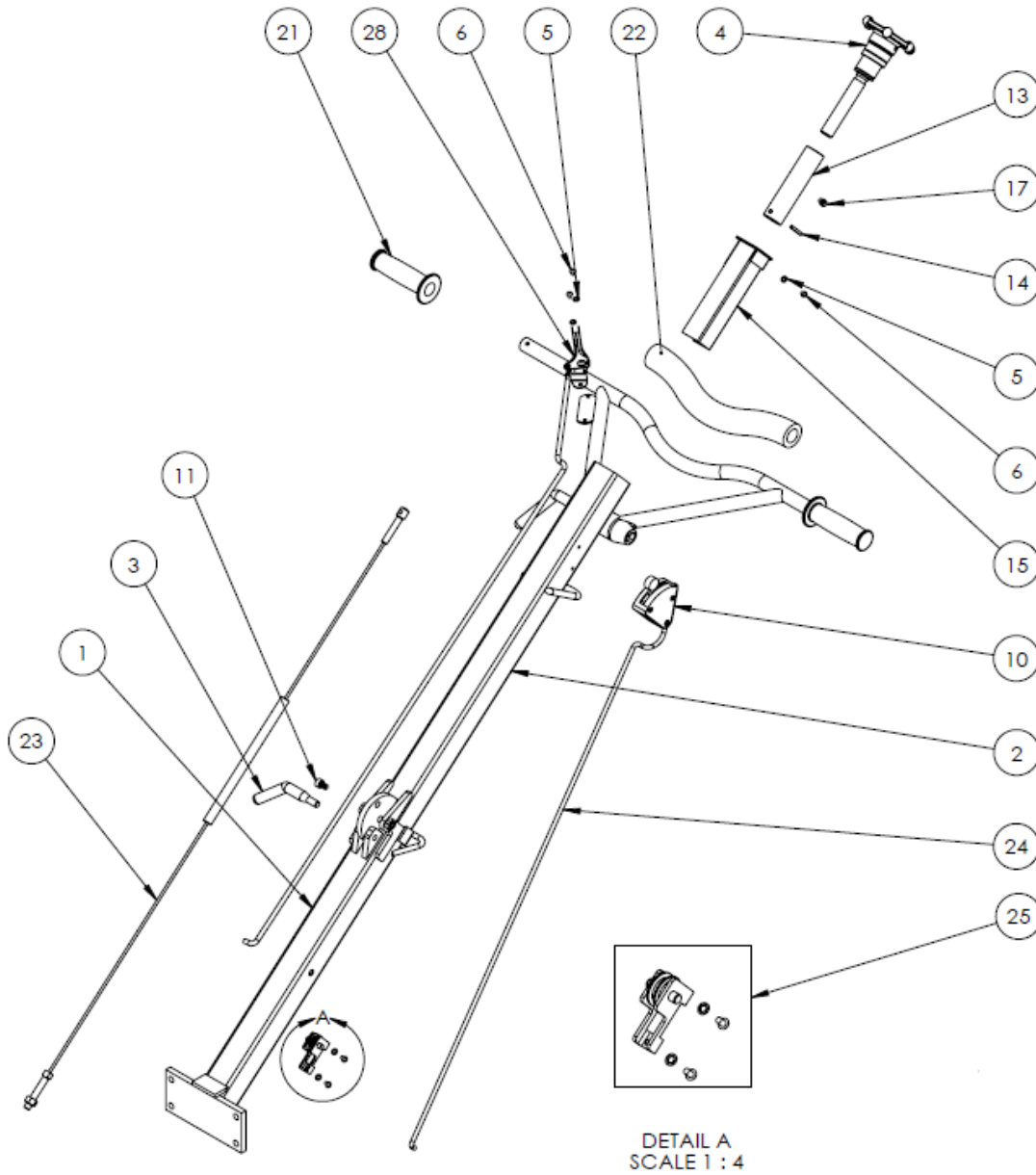


HANDLE ASSEMBLY: 20230E EUROPEAN SPEC. - PARTS LIST 8

Item #	Part #	Description	QTY	Remarks
1	20230E	MEDIUM STRAIGHT HANDLE, FULLY ASSEMBLED	1	10/01/2014
2	20112	PITCH INSERT	1	10/01/2014
3	10508	THROTTLE LEVER ASSEMBLY	1	10/01/2014
4	21724	PIN 3/16"DIA X 1-1/4"LG	1	10/01/2014
5	10703	LOCK WASHER, INTERNAL TOOTH, #10	3	10/01/2014
6	21728	RHMS, M5-0.8 X 8MM LG	3	10/01/2014
9	21717	HANDLE GRIP	2	10/01/2014
10	21721	CROSSBAR PAD	1	10/01/2014
12	21725	M6-1.0 X 6MM LG	1	10/01/2014
13	11852	SAFETY SWITCH, PIGTAIL WIRES	2	10/01/2014
14	20288	PULLEY ASSEMBLY	1	10/01/2014
15	20113	PITCH FACEPLATE	1	10/01/2014
17	20335	PITCH CONTROL CABLE, 1331MM HOLE TO END OF LUG	1	10/01/2014
19	21714	HAND KNOB ASSEMBLY	1	10/01/2014
20	21722	THREADED SLIDE BUSHING	1	10/01/2014
		EURO WIRE ASSEMBLY	1	10/01/2014
	10525-SQCOM	BARTELL DECAL KIT	1	

PARTS LIST 9 – WALK-BEHIND TROWELS

FOLDING HANDLE ASSEMBLY DIAGRAM: 20229C



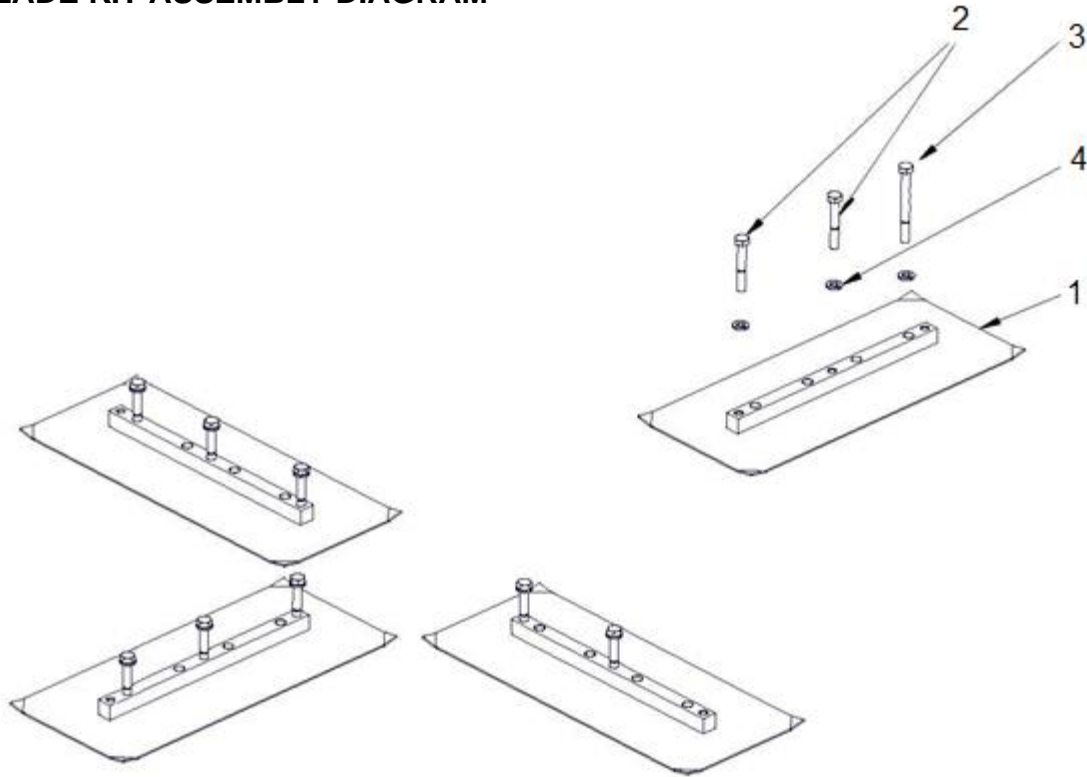


FOLDING HANDLE ASSEMBLY: 20229C – PARTS LIST 9

Item #	Part #	Description	QTY	Remarks
2	20229	FOLDING HANDLE, FULLY ASSEMBLED	1	1/21/2015
3	20195	THREADED PIN	1	1/21/2015
4	21714	HAND KNOB ASSEMBLY	1	1/21/2015
5	10703	LOCK WASHER, INTERNAL TOOTH, #10	5	1/21/2015
6	21728	RHMS, M5-0.8x8MM LG	5	1/21/2015
10	21847	SAFETY SWITCH	1	1/21/2015
11	51010	SHCS, M8-1.25X12MM LG	2	1/21/2015
13	21722	THREADED SLIDE BUSHING	1	1/21/2015
14	21724	PIN 3/16" DIA x1-1/4" LG	1	1/21/2015
15	20112	PITCH INSERT	1	1/21/2015
17	21725	M6-1.0 x 6MM LG	1	1/21/2015
21	21717	HANDLE GRIP	2	1/21/2015
22	21721	CROSSBAR PAD	1	1/21/2015
23	20331	PITCH CONTROL CABLE, 43 5/16" HOLE TO END OF LUG	1	1/21/2015
24	20703	66" WIRE ASSY	1	1/21/2015
25	20287	PULLEY ASSEMBLY	1	1/21/2015
28	10508	THROTTLE LEVER ASSEMBLY	1	1/21/2015
	10525-SQCOM	BARTELL DECAL KIT	1	

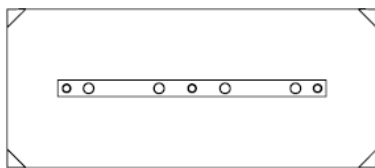
PARTS LIST 10 – WALK-BEHIND TROWELS

BLADE KIT ASSEMBLY DIAGRAM

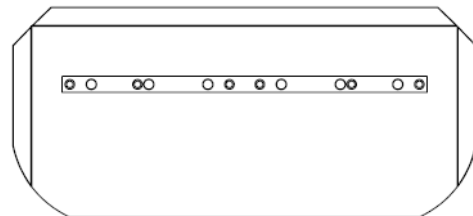


BC436 BLADE KIT – PARTS LIST 10

Item #	Part #	Description	QTY	Remarks
1	-	TROWEL BLADE	4	08/04/2007
2	10452	HHCS, M8-1.25 X 40MM	8	08/04/2007
3	10453	HHCS, M8-1.25 X 50MM	4	08/04/2007
4	11614	LOCK WASHER, M8	12	08/04/2007



STANDARD FINISHING BLADE

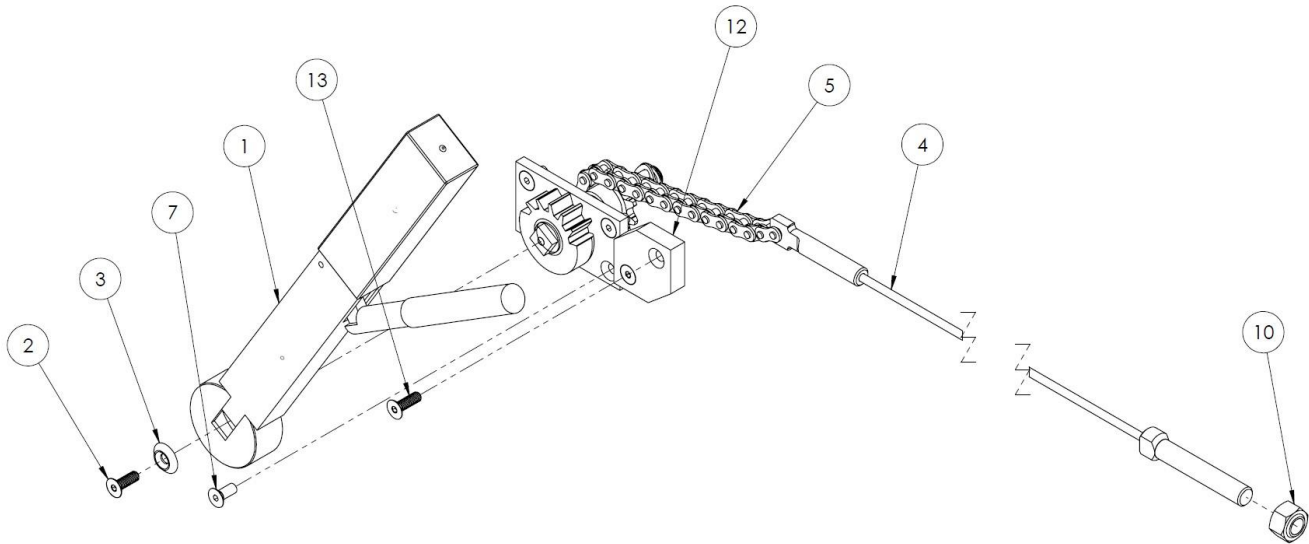


STANDARD COMBINATION BLADE

Part #	Dimensions	Part #	Dimensions
20414	6" x 14" (15.2CM x 35.6CM)	20479	8" x 14" (20.3CM x 35.6CM)

PARTS LIST 11: WALK-BEHIND TROWELS

PRO PITCH ASSEMBLY DIAGRAM: 23522



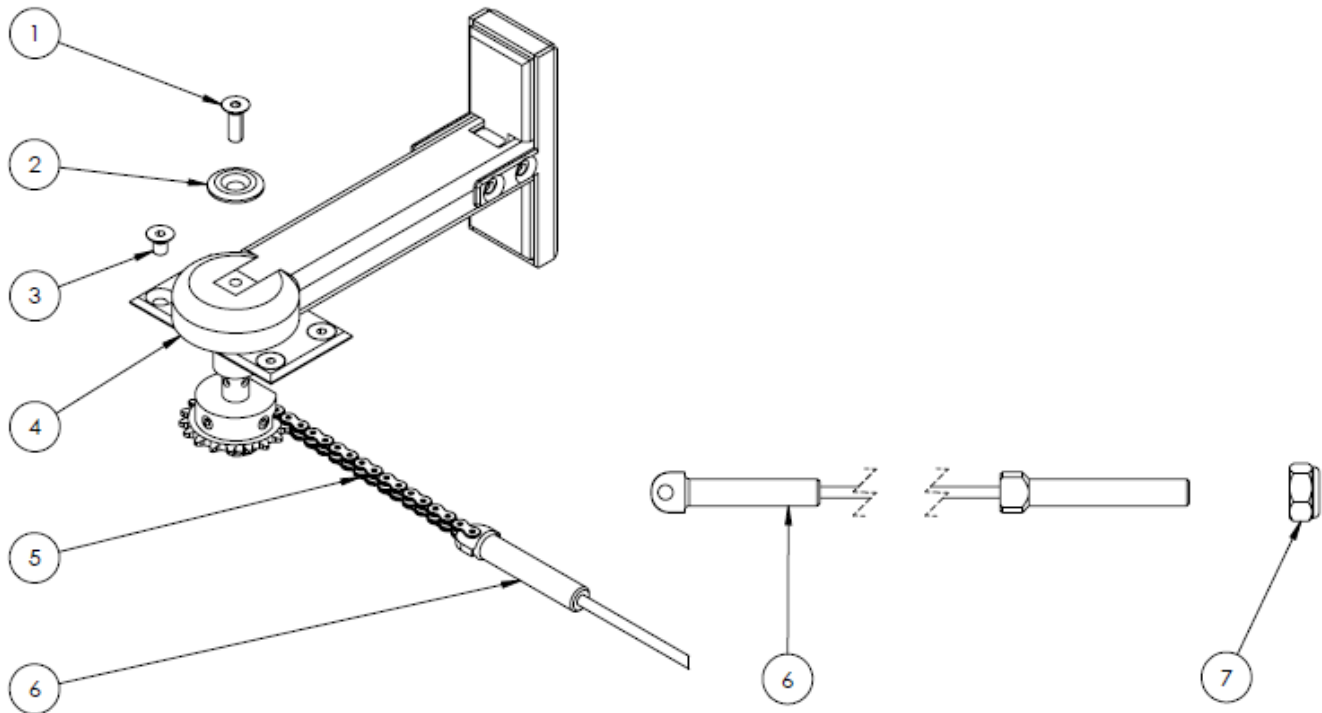
EASY PITCH: 23522 - PARTS LIST 11

Item #	Part #	Description	QTY	Remarks
	23522	COMPLETE PRO PITCH KIT	1	
1	23520	PRO PITCH LEVER	1	
2	20226	FHCS, M5-0.8 X 15MM	2	
3	20208	WASHER, M5, 3.5MM THICK	2	
4	23503	PITCH CONTROL CABLE, 1100MM HOLE TO END OF LUG	1	
5	23511	CHAIN ASSEMBLY, #35, 15 LINKS	1	
7	21218	FHCS, M5-0.8 X 12 MM	2	
10	11802	LOCK NUT, M10-1.5	1	
12	23521	PRO PITCH HANDLE STOPPER	1	
13	35047	FHSCS, M5 X 16MM	2	
	23515	KIT, SPROCKET AND #35 CHAIN (15 LINKS)	1	

SOLD AS ASSEMBLY ONLY

PARTS LIST 11: WALK-BEHIND TROWELS

EASY PITCH ASSEMBLY DIAGRAM: 20258



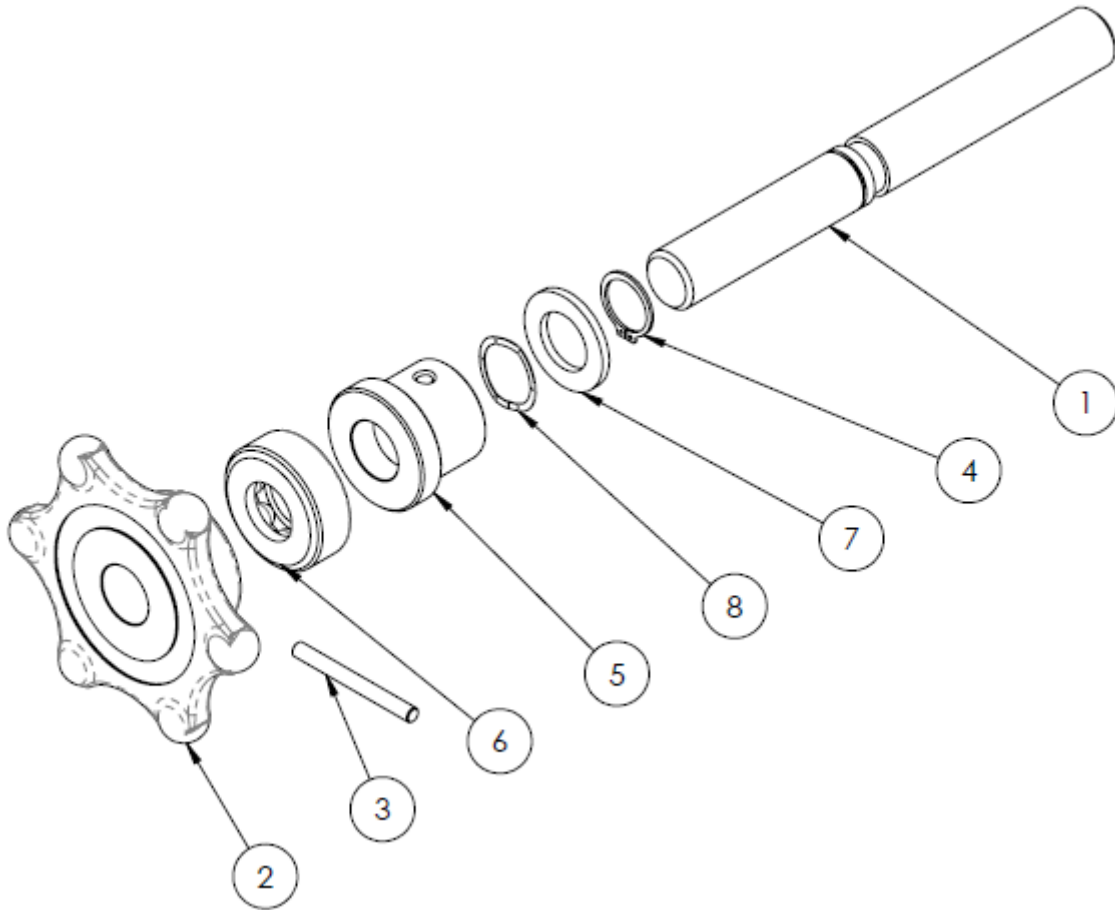
EASY PITCH: 20258 - PARTS LIST 11

Item #	Part #	Description	QTY	Remarks
1	20226	FHCS, M5-0.8 X 15MM	2	
2	20208	WASHER, M5, 3.5MM THICK	2	
3	21218	FHCS, M5-0.8 X 12 MM	4	
4	20270	HANDLE ASSEMBLY	1	
5	20209	CHAIN ASSEMBLY, #25, 29 LINKS	1	Before S/N: 712355
	23502	CHAIN ASSEMBLY, #25, 25 LINKS	1	After S/N: 712355
	23511	CHAIN ASSEMBLY, #35, 15 LINKS	1	
6	20333	PITCH CONTROL CABLE, 1068MM HOLE TO END OF LUG	1	Before S/N: 712355
	23503	PITCH CONTROL CABLE, 1100MM HOLE TO END OF LUG	1	After S/N: 712355
7	11802	LOCK NUT, M10-1.5	1	
	10525-EPITCH	EASY PITCH DECAL KIT	1	
	23515	UPGRADE KIT, SPROCKET AND #35 CHAIN (15 LINKS)	1	

SOLD AS ASSEMBLY ONLY

PARTS LIST 12 – WALK-BEHIND TROWELS

HAND KNOB ASSEMBLY DIAGRAM: 21714



HAND KNOB ASSEMBLY: 21714 – PARTS LIST 12

Item #	Part #	Description	QTY	Remarks
1	21713	SCREW SHAFT	1	1/21/2015
2	21707	KNOB	1	1/21/2015
3	21708	PIN, SPRING	1	1/21/2015
4	21712	RETAINER	1	1/21/2015
5	21710	BUSHING, HANDLE	1	1/21/2015
6	21709	BEARING, THRUST	1	1/21/2015
7	21711	WASHER	1	1/21/2015
8	21849	WASHER, WAVE	1	1/21/2015

BARTELL

BARTELL GLOBAL



Bartell Morrison Inc.
170 Traders Blvd E
Mississauga, Ontario, Canada
L4Z 1W7
Tel: 1-647-953-4100
Fax: 1-647-953-4101



Bartell Morrison (USA) LLC
200 Commerce Drive, Unit A
Freehold, New Jersey, USA
07728
Tel: 1-848-225-8100
Fax: 1-848-225-8101



Innovatech
4701 Allmond Ave
Louisville, Kentucky, USA
40209
Tel: (425) 405-9100
Fax: (425) 405-9101



SPE International
Honeyholes Lane
Dunholme, Lincoln, UK
LN2 3SU
Tel: +44 (0)1673 860709
Fax: +44 (0)1673 861119



**BARTELL
GLOBAL**

**5 BRANDS - 1 SOURCE FOR
GREAT EQUIPMENT**
BARTELL morrison   

BARTELLGLOBAL.COM